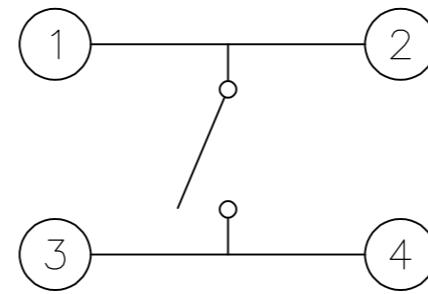
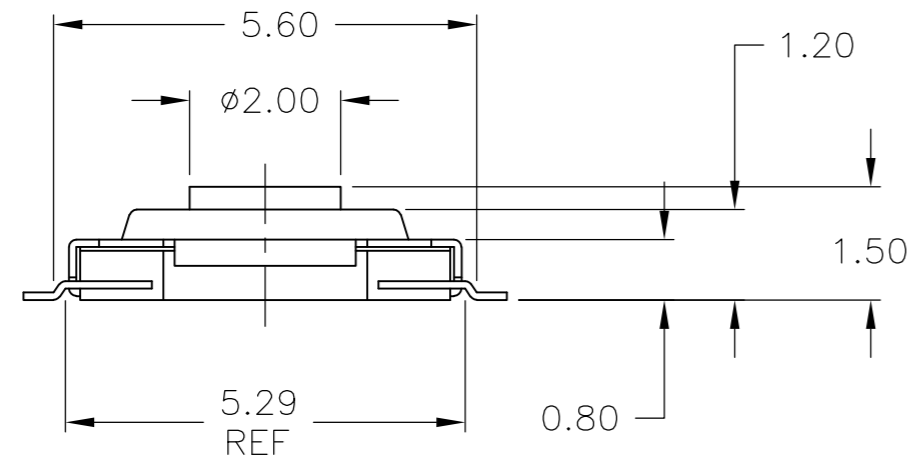
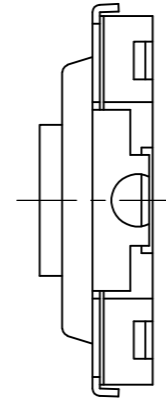
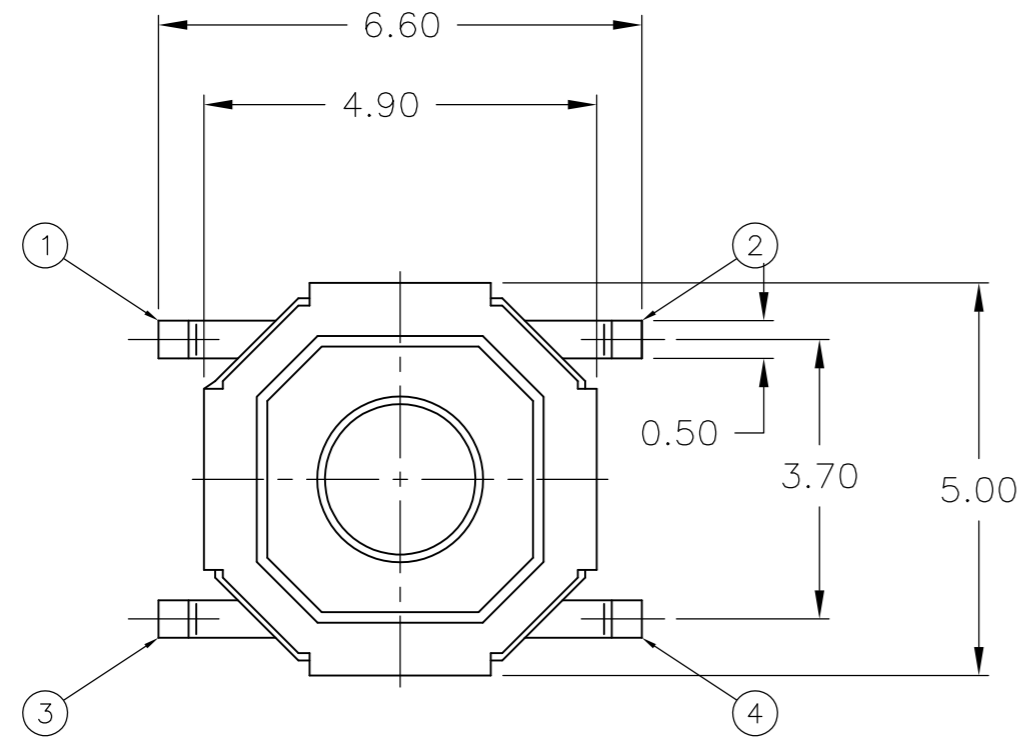
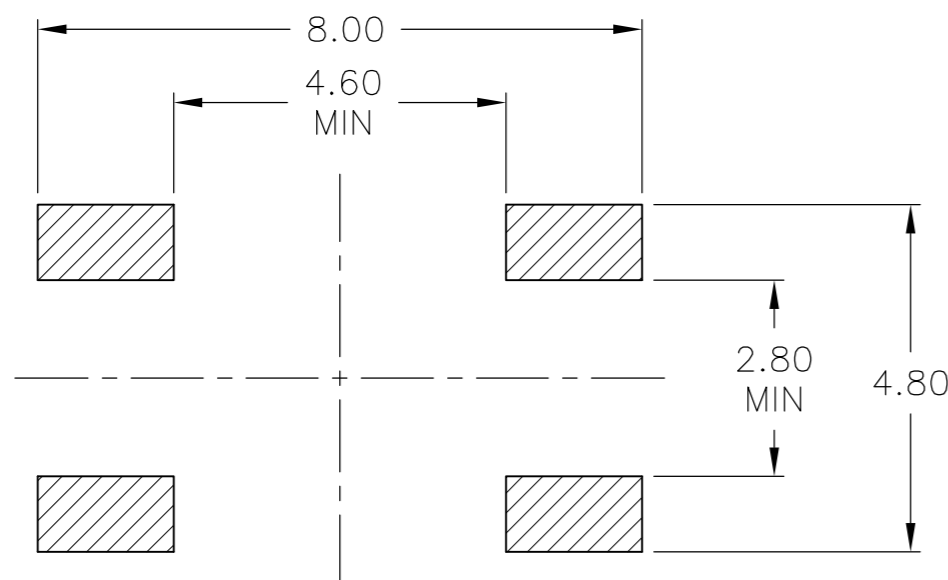


THIS DRAWING IS UNPUBLISHED. RELEASED FOR PUBLICATION
 © COPYRIGHT - By - ALL RIGHTS RESERVED.

| LOC | | DIST | | REVISIONS | | | |
|-----|-----|---------------------------|--|-----------|-----|------|--|
| P | LTR | DESCRIPTION | | DATE | DWN | APVD | |
| | H3 | REVISED PER ECO-14-009325 | | 23JUN2014 | NK | RH | |



CIRCUIT DIAGRAM



P.C. BOARD LAYOUT

MATERIALS:

CASE: NYLON- 4/6 UL94V-0, COLOR- SEE CHART
 COVER: NICKEL SILVER
 ACTUATOR: COPPER ALLOY
 MOVING CONTACT: STAINLESS STEEL, SILVER FINISH
 FIXED CONTACT/TERMIAL: COPPER ALLOY, SILVER FINISH

ELECTRICAL:

MAX CONTACT RATING: 50MILLIAMPS@24V DC
 MIN CONTACT RATING: 10MICROAMPS@1V DC
 INITIAL CONTACT RESITANCE: 100 MILLIOHMS MAX
 INSULATION RESISTANCE: 100 MEGAOHMS @ 100 VDC MIN
 DIELECTRIC STRENGTH: 500 VDC
 LIFE EXPECTANCY: SEE TABLE

MECHANICAL:

ACTUATION FORCE: SEE TABLE
 ACTUATION TRAVEL: 0.25 +0.1/-0.2

ENVIROMENTAL:

OPERATING TEMPERATURE: -35°C TO 85°C
 STORAGE TEMPERATURE: -35°C TO 85°C
 SOLDER HEAT RESISTANCE, PER TEC-109-201 COND B.

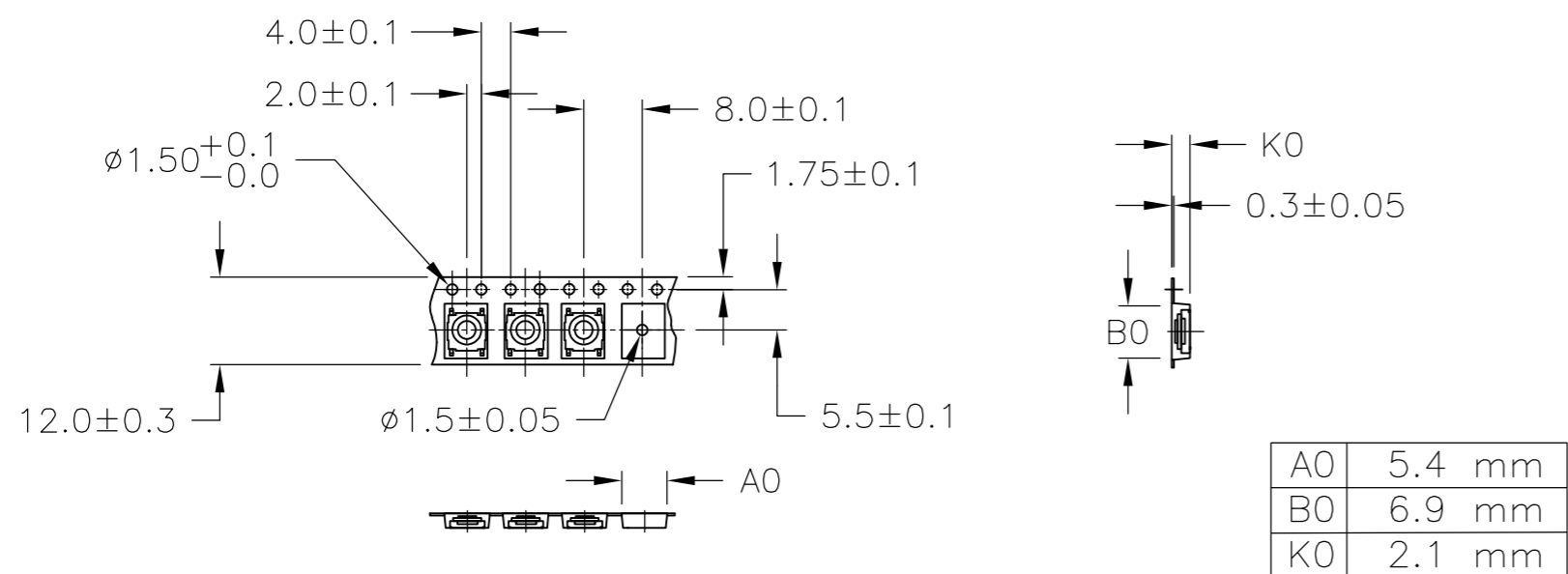
- 1 TAPE AND REEL PER EIA 481, 4,000 PCS, PER REEL, TAPE WIDTH 12.00MM, PITCH 8.00MM
- 2 ALL MATERIALS AND FINISHES SHALL COMPLY WITH EU DIRECTIVE 2002/95/EC OF 27JAN2003 (ROHS)

| | | | | |
|--|-----------------|-----------------------|--|-----------------|
| MIN 500,000 | FSMCTATR | 260±50gf | IVORY | 8-1437565-1 |
| MIN 1,000,000 | FSMCTTR | 160±50gf | BLACK | 8-1437565-0 |
| LIFE CYCLES | FORMER T&B PART | ACTUATION FORCE | CASE COLOR | PART NUMBER |
| THIS DRAWING IS A CONTROLLED DOCUMENT. | | DWN M.BINNER 18MARG4 | TE Connectivity MICRO MINIATURE PUSHBUTTON SWITCH | |
| DIMENSIONS: mm | | CHK M.SARVER 23MARG4 | | |
| TOLERANCES UNLESS OTHERWISE SPECIFIED: | | APVD M.SARVER 23MARG4 | | |
| 0 PLC ± - 1 PLC ± - 2 PLC ± .20 3 PLC ± - 4 PLC ± - ANGLES ± 1° FINISH - | | PRODUCT SPEC - | | |
| MATERIAL - | | APPLICATION SPEC - | SIZE A2 | CAGE CODE 00779 |
| | | WEIGHT - | DRAWING NO C=8-1437565-0 | RESTRICTED TO - |
| | | CUSTOMER DRAWING | SCALE 10:1 | SHEET 1 of 2 |
| | | | REV H3 | |

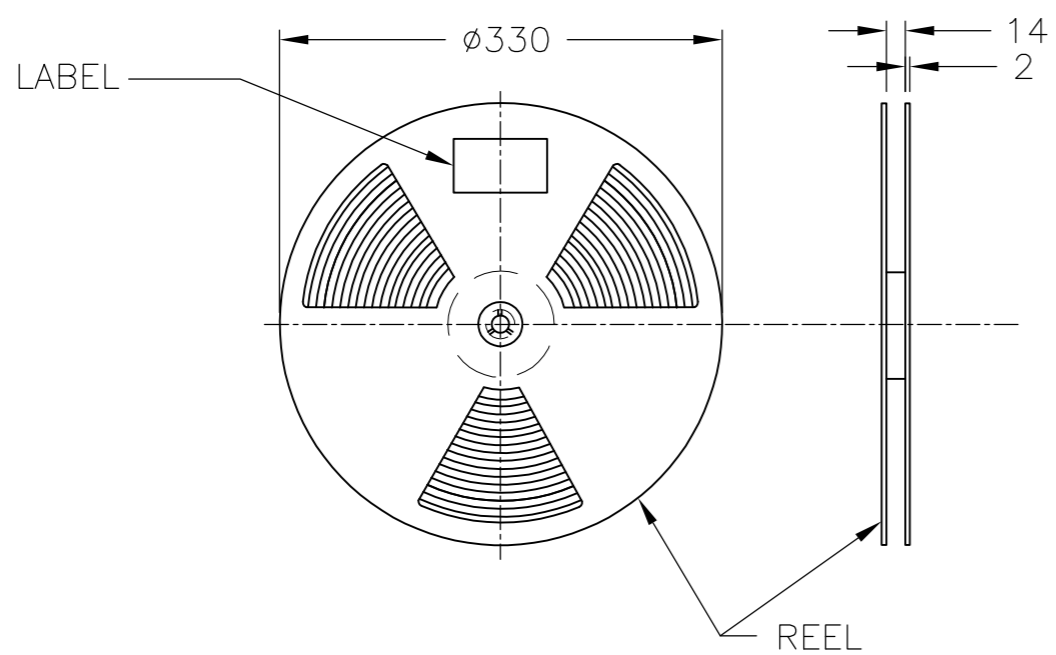
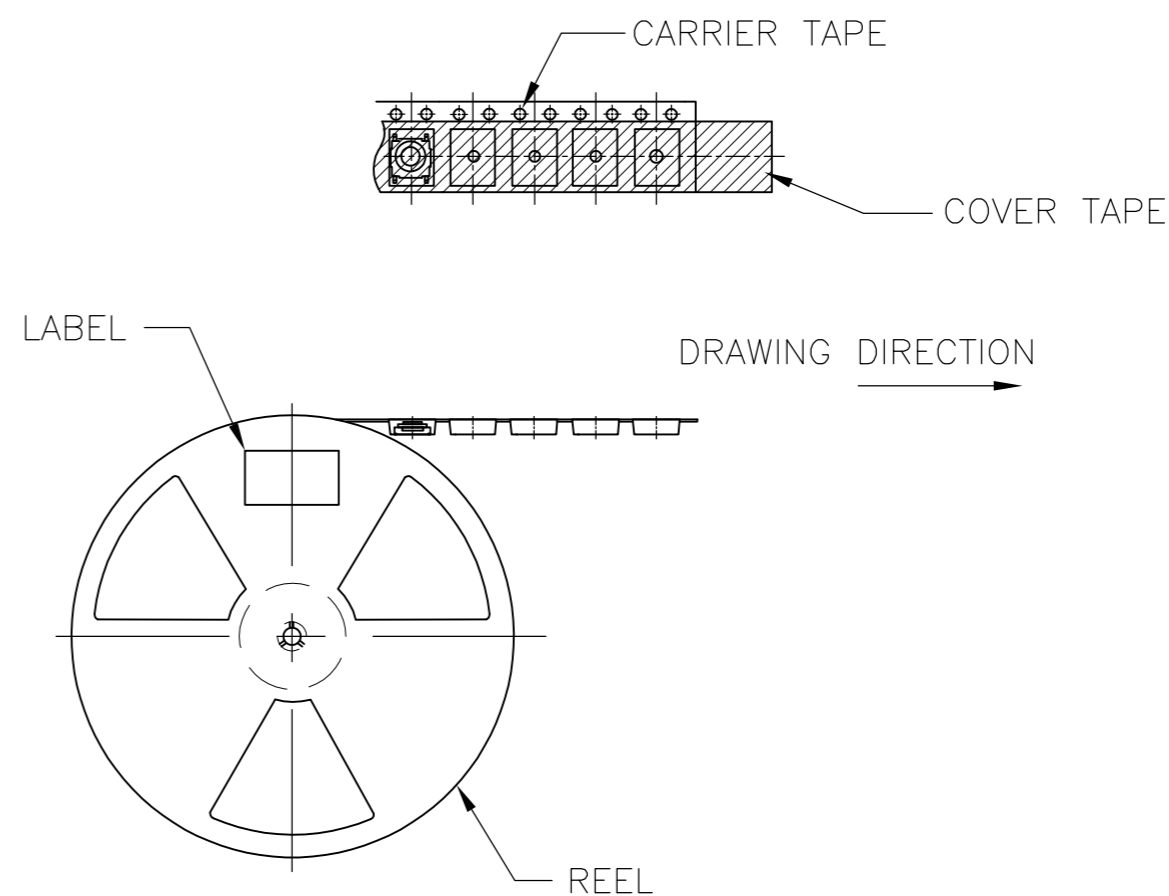
THIS DRAWING IS UNPUBLISHED. RELEASED FOR PUBLICATION
 © COPYRIGHT - By - ALL RIGHTS RESERVED.

| LOC | | DIST | | REVISIONS | | | |
|-----|-----|-------------|------|-----------|------|--|--|
| P | LTR | DESCRIPTION | DATE | DWN | APVD | | |
| - | - | SEE SHEET 1 | - | - | - | | |

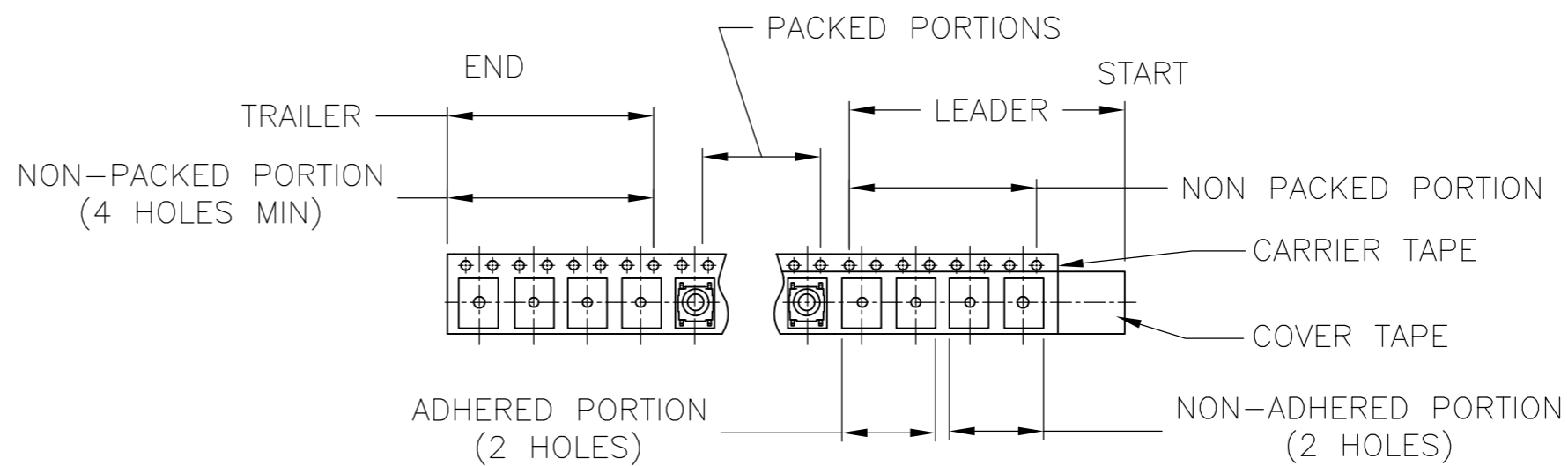
THE DIMENSION OF CARRIER TAPE, COVER TAPE AND REEL



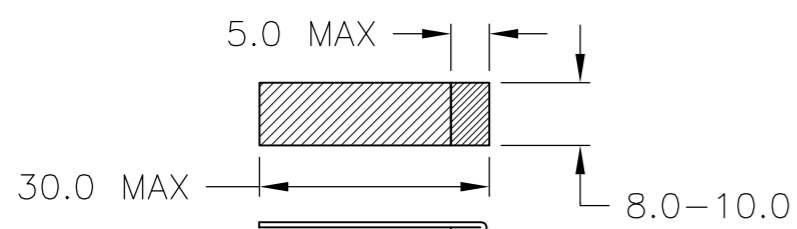
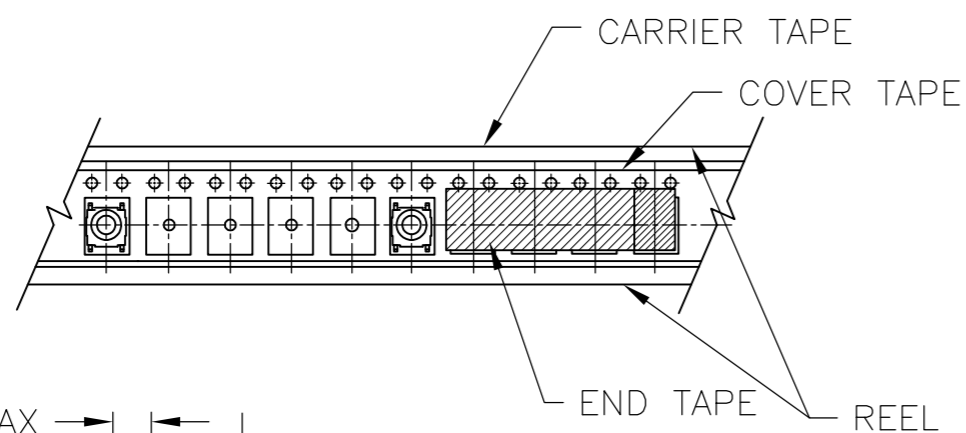
THE DIRECTION OF PILOT HOLES



THE DIRECTION OF PILOT HOLES



END TAPE



1 4.000 PCS SWITCHES PER 1 REEL

| | | | | | | | | | | | | |
|--|--------|------------------|----------|-----------------------------------|------|-----------------|-----------|-------|------------|---------------|---------------|---|
| THIS DRAWING IS A CONTROLLED DOCUMENT. | | DWN | M.BINNER | 18MAR04 | | TE Connectivity | | | | | | |
| DIMENSIONS: mm | | CHK | M.SARVER | 23MAR04 | | NAME | | | | | | |
| TOLERANCES UNLESS OTHERWISE SPECIFIED: | | APVD | M.SARVER | 23MAR04 | | PRODUCT SPEC | | | | | | |
| 0 PLC ± - 1 PLC ± - 2 PLC ± .20 3 PLC ± - 4 PLC ± - ANGLES ± 1° | | APPLICATION SPEC | | MICRO MINIATURE PUSHBUTTON SWITCH | | | | | | | | |
| MATERIAL | FINISH | WEIGHT | - | | SIZE | A2 | CAGE CODE | 00779 | DRAWING NO | C=8-1437565-0 | RESTRICTED TO | - |
| - | | - | | CUSTOMER DRAWING | | SCALE | 1:1 | SHEET | 2 OF 2 | REV | H3 | |

X-ON Electronics

Largest Supplier of Electrical and Electronic Components

Click to view similar products for [Tactile Switches](#) category:

Click to view products by [TE Connectivity](#) manufacturer:

Other Similar products are found below :

[KMR633NG LFG](#) [5GTH9202242](#) [6426-201-11343](#) [MJ1226](#) [MJTP1109B](#) [MJTP1138EAUTR](#) [MJTP1230BL](#) [MJTPSHW](#) [GS6.90F300QP](#) [1-1977223-0](#) [1-1977120-4](#) [ADTSA62NV](#) [ADTSA62RV](#) [ADTSA63KV](#) [ADTSA644NV](#) [ADTSM24NVTR](#) [ADTSMW66NV](#) [ADTSMW67RV](#) [ATM533VTR](#) [1571300-3](#) [B3F-3123](#) [B3F-6055A](#) [B3F-B32-01-KIT](#) [1977177-8](#) [1977266-1](#) [2-1977223-4](#) [2-1977223-7](#) [ADTS644KV](#) [ADTSA61RV](#) [ADTSA62KV](#) [ADTSA63NV](#) [ADTSA63RV](#) [ADTSA65NV](#) [ADTSM21NSVTR](#) [ADTSM25RVTR](#) [ADTSM31RVTR](#) [ADTSM32NVTR](#) [ADTSM61YVTR](#) [ADTSM63SVTR](#) [ADTSM644KVTR](#) [ADTSMW64RV](#) [ADTSMW69NV](#) [FSMRA4JHA04](#) [GS4.70F300QP](#) [D38999/20JJ37SA](#) [TL1105B](#) [TL1105J](#) [ATH447K2Q](#) [ATM534VTR](#) [MJ1215](#)