

# METAL ALLOY MULTILAYER HIGH POWER CHIP INDUCTOR



ASMPM

2.0 x 1.6 x 1.0 mm

MSL = 1

RoHS/RoHS II Compliant

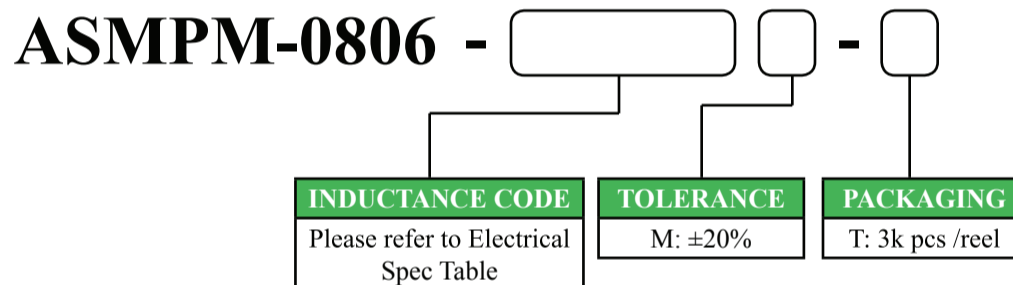
## FEATURES

- Miniature ceramic chip inductors
- High current carrying in a compact 2.0 x 1.6mm footprint
- Low profile 1.0mm MAX for height restricted applications
- Up to 4.5A typ saturation current
- High inductance up to 4.7 $\mu$ H
- Wide operating temperature range -40°C ~ +125°C
- Shielded construction reduces EMI

## APPLICATIONS

- IoT and IIoT
- Wearables
- Smart watches
- Hand-held devices
- Audio/video, cameras, and speakers
- Drones
- Medical monitoring
- Compact energy efficient lighting
- Battery operated devices
- DC/DC supplies for Bluetooth and RF modules
- High efficiency battery chargers
- High efficiency switch mode power supplies

## OPTIONS AND PART IDENTIFICATION

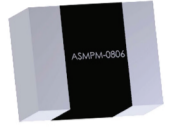


## ELECTRICAL SPECIFICATIONS

OPERATING TEMPERATURE	STORAGE CONDITION
-40°C - 125°C (including self-temperature rise)	-10°C ~ +40°C (tape & reel packaging), -40°C ~ +125°C (component)

PART NUMBER	INDUCTANCE	TOLERANCE	DC RESISTANCE	SATURATION CURRENT		TEMPERATURE RISE CURRENT	
	0.1MHz/0.1V			Typ	Max	Typ	Max
<b>UNITS</b>	$\mu$ H	%	m $\Omega$	A		A	
<b>SYMBOL</b>	L	M	DCR	Isat		Irms	
ASMPM-0806-R47	0.47	$\pm$ 20%	40	4.50	4.00	3.60	3.10
ASMPM-0806-1R0	1.0	$\pm$ 20%	70	3.40	3.10	2.60	2.20
ASMPM-0806-1R5	1.5	$\pm$ 20%	110	2.80	2.50	2.10	1.80
ASMPM-0806-2R2	2.2	$\pm$ 20%	168	2.20	2.00	1.60	1.40
ASMPM-0806-3R3	3.3	$\pm$ 20%	225	1.90	1.50	1.40	1.20
ASMPM-0806-4R7	4.7	$\pm$ 20%	360	1.50	1.30	1.10	0.95

# METAL ALLOY MULTILAYER HIGH POWER CHIP INDUCTOR



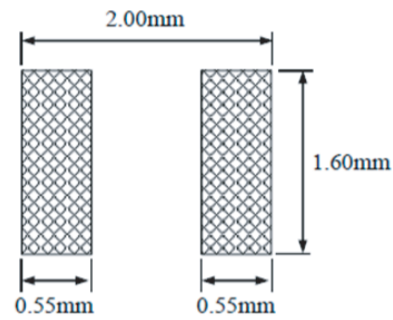
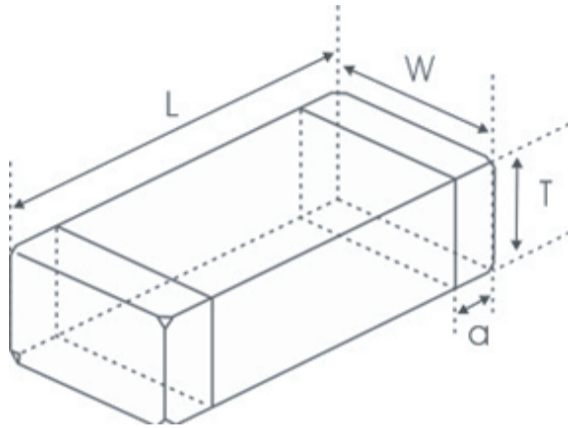
ASMPM

2.0 x 1.6 x 1.0 mm

MSL = 1

RoHS/RoHS II Compliant

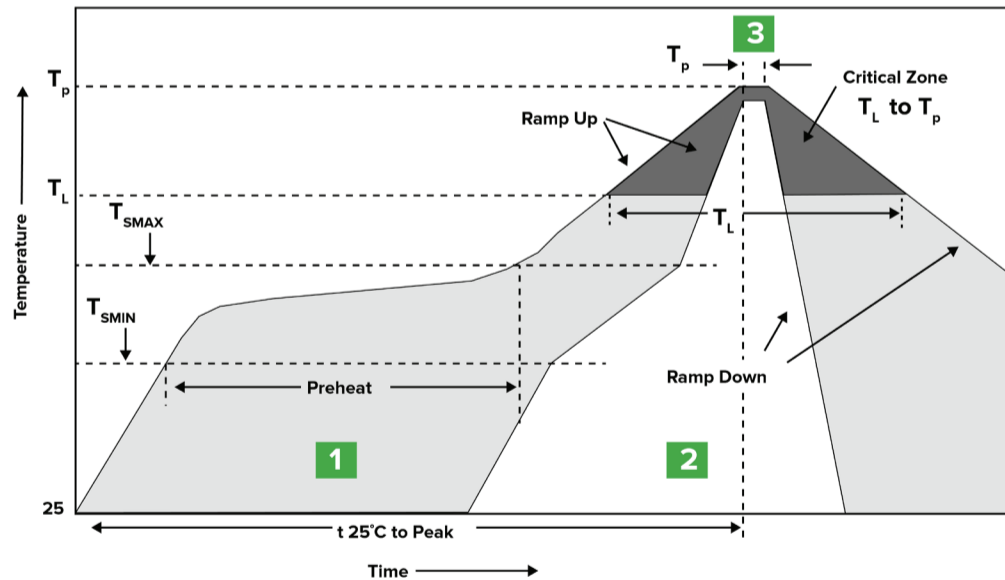
## MECHANICAL DIMENSIONS



Dimension: mm

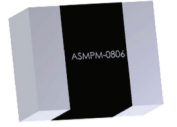
L	W	T	a
2.0 ± 0.2	1.6 ± 0.2	1.0 MAX.	0.5 ± 0.3

## REFLOW



Zone	Description	Temperature	Times
1	Preheat	$T_{S\text{MIN}} \sim T_{S\text{MAX}}$ 150°C ~ 180°C	60 ~ 120 sec.
2	Reflow	$T_L$ 230°C	30 sec. MAX
3	Peak heat	$T_P$ 260°C	10 sec. MAX

# METAL ALLOY MULTILAYER HIGH POWER CHIP INDUCTOR



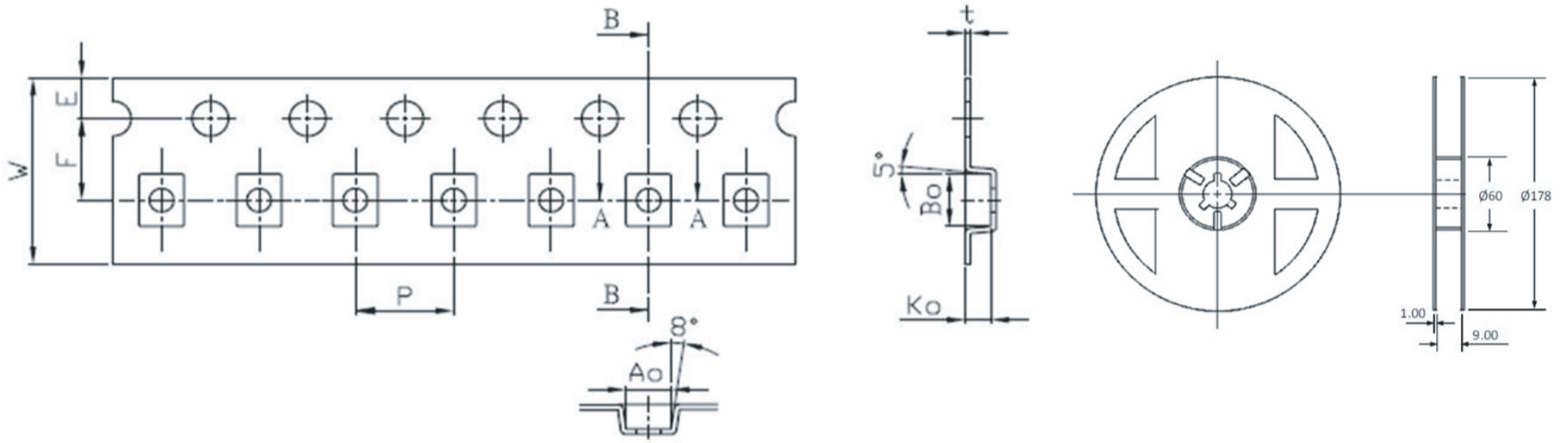
ASMPM

2.0 x 1.6 x 1.0 mm

MSL = 1

RoHS/RoHS II Compliant

PACKING (TAPE & REEL: 3000 PCS/REEL)



Ao	Bo	Ko	P	W	t	E	F
1.90	2.30	1.15	4.00	8.00	0.23	1.75	3.50

Dimension: mm

## X-ON Electronics

Largest Supplier of Electrical and Electronic Components

*Click to view similar products for [Fixed Inductors](#) category:*

*Click to view products by [Abracon](#) manufacturer:*

Other Similar products are found below :

[MLZ1608M6R8WTD25](#) [MLZ1608N6R8LT000](#) [MLZ1608N3R3LTD25](#) [MLZ1608N3R3LT000](#) [MLZ1608N150LT000](#)

[MLZ1608M150WTD25](#) [MLZ1608M3R3WTD25](#) [MLZ1608M3R3WT000](#) [MLZ1608M150WT000](#) [MLZ1608A1R5WT000](#)

[MLZ1608N1R5LT000](#) [B82432C1333K000](#) [PCMB053T-1R0MS](#) [PCMB053T-1R5MS](#) [PCMB104T-1R5MS](#) [CR32NP-100KC](#) [CR32NP-](#)

[151KC](#) [CR32NP-180KC](#) [CR32NP-181KC](#) [CR32NP-1R5MC](#) [CR32NP-390KC](#) [CR32NP-3R9MC](#) [CR32NP-680KC](#) [CR32NP-820KC](#)

[CR32NP-8R2MC](#) [CR43NP-390KC](#) [CR43NP-560KC](#) [CR43NP-680KC](#) [CR54NP-181KC](#) [CR54NP-470LC](#) [CR54NP-820KC](#) [CR54NP-8R5MC](#)

[MGDQ4-00004-P](#) [MGDU1-00016-P](#) [MHL1ECTTP18NJ](#) [MHL1JCTTD12NJ](#) [PE-51506NL](#) [PE-53601NL](#) [PE-53630NL](#) [PE-53824SNLT](#) [PE-](#)

[62892NL](#) [PE-92100NL](#) [PG0434.801NLT](#) [PG0936.113NLT](#) [PM06-2N7](#) [PM06-39NJ](#) [HC2LP-R47-R](#) [HC2-R47-R](#) [HC3-2R2-R](#) [HC8-1R2-R](#)