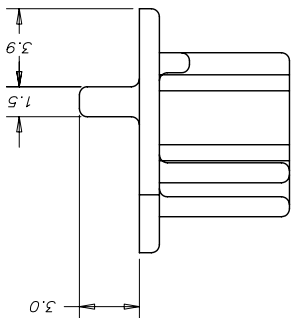
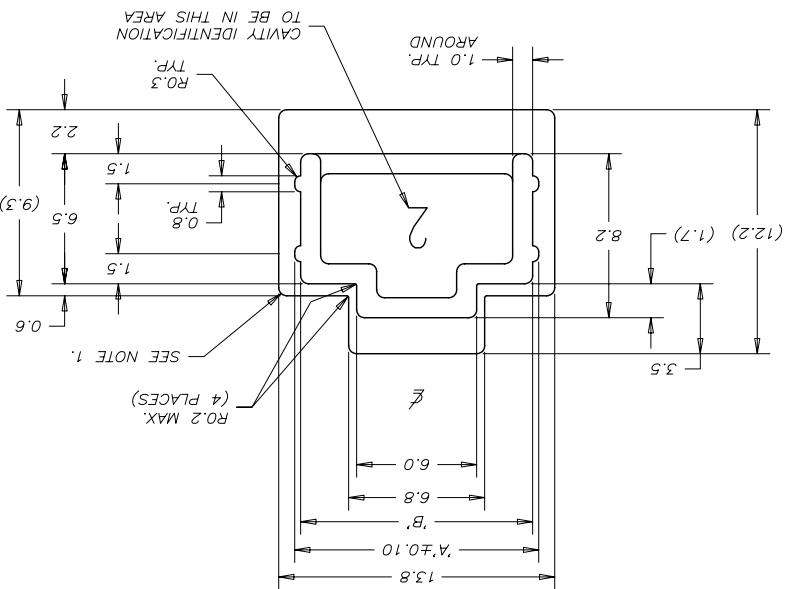
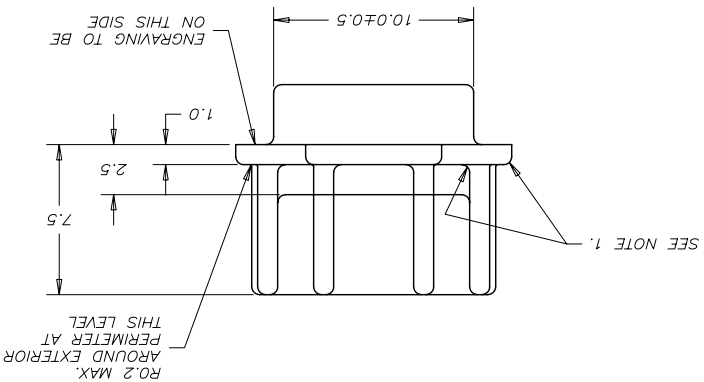


THIS DOCUMENT CONTAINS PROPRIETARY INFORMATION AND SUCH INFORMATION MAY NOT BE DISCLOSED TO OTHERS FOR ANY PURPOSE OR USED FOR MANUFACTURING PURPOSES WITHOUT WRITTEN PERMISSION FROM AMPHENOL CANADA CORP.

- UNLESS SPECIFIED OTHERWISE, FILLETS AND EDGES TO BE SHARP TO 0.4R MAXIMUM.
- PART TO BE FREE OF FLASH, GATE REMNANT, VOIDS AND DISCOLOURATION.
- GENERAL TOLERANCE UNLESS INDICATED OTHERWISE: ±0.2.
- MATERIAL TO HAVE A CONTINUOUS SERVICE USE TEMPERATURE OF -30°C TO +60°C.

NOTES:



MATERIAL ANTI-STATIC LOW DENSITY POLYETHYLENE  
 DRAWN Chigow 20-JAN-08  
 DESIGNED 20-JAN-08  
 CHECKED L.CHAN 20-JAN-08  
 (SEE NOTE 4)  
 COLOUR: SEE TABLE  
 FINISH -----

ENG. REL. NO.  
 DWG. APPRD.  
 Q. A. APPRD.  
 L. E. APPRD.  
 TITLE RJ DUST CAPS

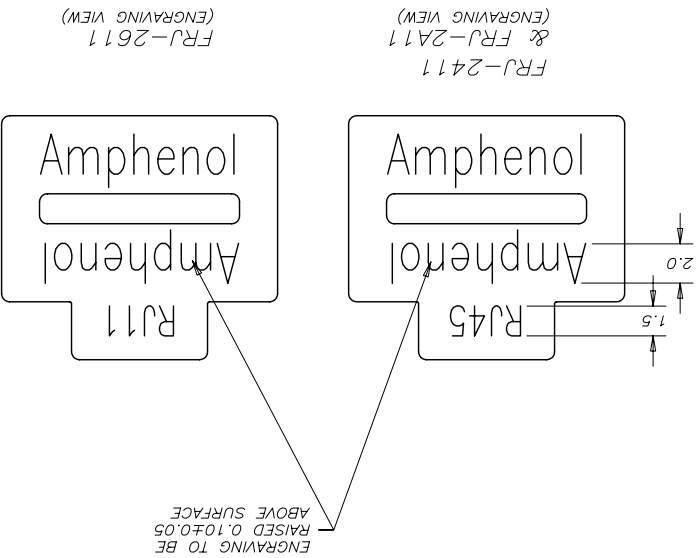
REV. C  
 DRAWING NO. P-FRJ-2X11  
 SCALE 5/1  
 WT. \_\_\_\_\_  
 SURF. \_\_\_\_\_  
 SHEET 1 OF 1

DIMENSIONS ARE IN mm  
 CODE ID. NO. 03554

PART NUMBER	FOR CONNECTOR TYPE	'A'±0.10	'B'	COLOUR
FRJ-2611	RJ11	10.17	9.6	NATURAL
FRJ-2A11	RJ45	12.20	11.6	BLACK
FRJ-2411	RJ45	12.20	11.6	GREY

TABLE:

ENGRAVING DETAILS



REVISIONS			
SYM	ZONE	ECN, ERN NO.	DATE
B		PROPOSAL	20-JAN-06
C		PROPOSAL	July 9, 08

L.CHAN	APPRD.
L.CHAN	DATE
L.CHAN	20-JAN-06
L.CHAN	July 9, 08

## X-ON Electronics

Largest Supplier of Electrical and Electronic Components

*Click to view similar products for [Modular Connectors](#) / [Ethernet Connectors](#) category:*

*Click to view products by [Amphenol](#) manufacturer:*

Other Similar products are found below :

[RJE231881317T](#) [MP1010RX-1000](#) [MP44RX-1000](#) [GAX-3-66](#) [GAX-8-62](#) [93606-0253](#) [GD-A-44](#) [GDCX-PA-66-50](#) [GDCX-PN-64](#) [GDCX-PN-66](#) [GDCX-PN-66-50](#) [GDLX-A-66](#) [GDLX-A-88](#) [GDLX-N-66](#) [GDLX-S-88K](#) [GDTX-S-88-50](#) [GDX-PA-1010](#) [GLX-N-1010M-BLK](#) [GLX-N-44M](#) [GLX-S-88M-BLK](#) [GMX-N-1010](#) [GMX-S-1010](#) [GMX-S-66](#) [GMX-SMT2-N-1010](#) [GMX-SMT2-N-64-50](#) [GMX-SMT2-S6-88](#) [GMX-SMT4-N-88](#) [GPX-2-64](#) [GRT1-BT1-5](#) [GSGX-N-2-88](#) [GSX-NS2-88-3.05](#) [GSX-NS2-88-3.05-50](#) [GSX-NS-88-3.05-30](#) [GSX-NS-88-3.05-50](#) [GSX-NS-88-3.68](#) [1-1775629-2](#) [GWLX-S-88-GR](#) [GWLX-S9-88-YG](#) [1300500326](#) [1300500227](#) [1300530003](#) [1300570002](#) [1324640-4](#) [RJ11FTVC2G](#) [RJ11FTVC2N](#) [RJFTVX2SA1G](#) [132764-001](#) [1400000](#) [1413176](#) [1413235](#)