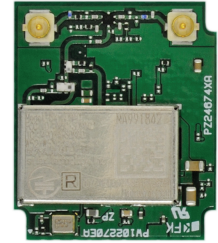


SX-SDMAC 802.11ac Plus Bluetooth SDIO Module



5th Generation SDIO Wireless LAN plus Bluetooth Module

The Silex SX-SDMAC is a dual-band IEEE802.11a/b/g/n/ac WLAN plus Bluetooth 4.1 BR/EDR/BLE “Smart Ready” SDIO module based on the latest Qualcomm Atheros Technology. It integrates a QCA9377 SoC with MAC, Baseband, RF, RF front end, and peripheral circuitry. SX-SDMAC operates on a +3.3V main power supply and selectable +1.8V/+3.3V IO power supply.

The SX-SDMAC comes in surface mount (SMT) and board to board connector (B2B) form factors. The SX-SDMAC has a 50 ohm U.FL connector as a connection interface for an external antenna. There is also an option to use an onboard chip antenna for the surface mount (SMT) version.

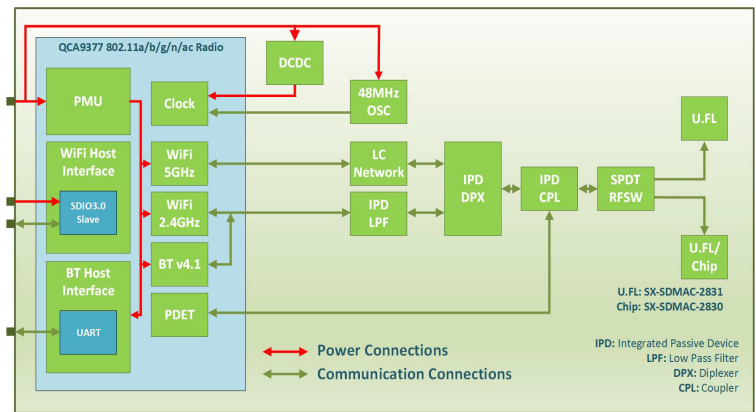
SX-SDMAC supports 802.11ac Wave 2 multi-user MIMO (MU-MIMO) client which can increase the overall WLAN system performance. SX-SDMAC provides an SDIO 3.0 interface for WLAN and a hi-speed UART interface for BT.

The SX-SDMAC is a FCC/IC/CE/MIC certified module. In order to expedite your product development process, Silex can provide both hardware and software engineering services including custom driver development, as well as turnkey product design and manufacturing.

Key Features:

- Low Power Dual-Band 1x1 module for Wi-Fi & BT
- Based on the QCA9377-3 chipset
- 802.11 a/b/g/n/ac Wave 2 MU-MIMO
- Bluetooth 4.1 BR/EDR/LE Smart Ready
- SDIO 3.0 WLAN host interface
- On-chip Power Management Unit (PMU)
- Link Rate upto 433 Mbps
- On-board and u.fl antenna options
- Supports enterprise security, seamless roaming and CCX
- Fine tuned calibration per module
- FCC/IC/CE/MIC modular certification
- Connector mount, surface mount, and SDIO card form factor

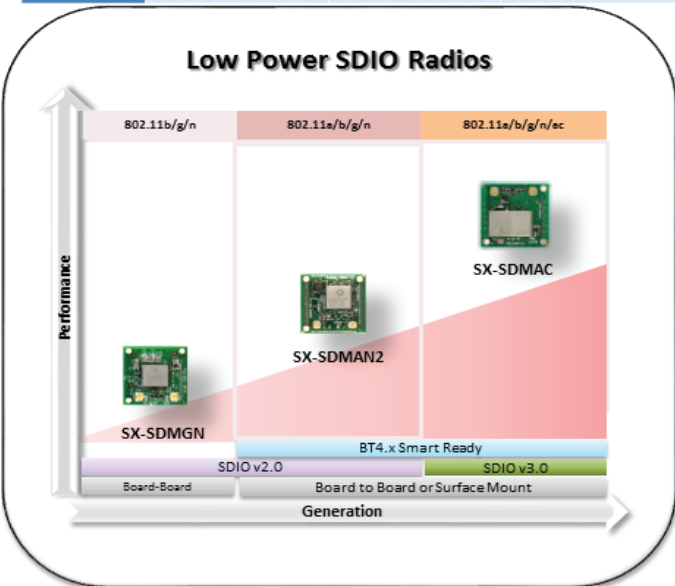
Diagram:



Specifications:

Product Name	SX-SDMAC-2830S (On-board Antenna) SX-SDMAC-2831S (U.FL Antenna) SX-SDMAC-2831C (U.FL Antenna)
Chipset	QCA9377-3
Host Interface	SDIO V 3.0 : WLAN High Speed UART: Bluetooth
Operating Voltage	3.30 VDC +/- 5%
Radio Specifications	802.11b/g/n: 2.412 - 2.472GHz 802.11a/n/ac: 5.180 - 5.825 GHz Bluetooth: 2.402 – 2.480 GHz
Baseband Specifications	CSMA/CA media access; DSSS, OFDM
Bluetooth Specifications	BT4.1 BR/EDR/BLE “Smart Ready”
Operating Temperature	-40 - +85 °C
Dimensions	SX-SDMAC-2830S: 19.0 x 30.0 x 2.4 mm SX-SDMAC-2831S: 19.0 x 22.0 x 2.4 mm SX-SDMAC-2831C: 24.0 x 24.0 x 4.8 mm
Connector Type	SMT: Direct solder pad 60 pins B2B: 40 pins
Antenna Configuration	1x1 mode (1T1R)

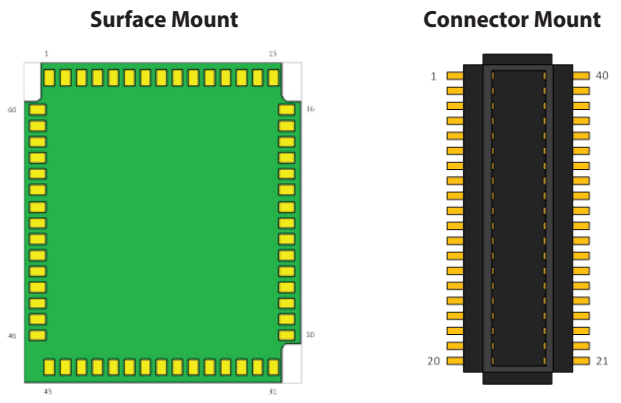
SX-SDMAC SKU's			
Name	SX-SDMAC-2830S	SX-SDMAC-2831S	SX-SDMAC-2831C
Shape			
Type	Surface Mount	Surface Mount	Connector Mount
Antenna	Onboard + U.FL x1	U.FL x2	U.FL x2



Ordering Information

- SX-SDMAC-2831C: B2B, Bulk Package (2 U.FL Connectors)
- SX-SDMAC-2831C-SP: B2B, Sample Pack (2 U.FL Connectors)
- SX-SDMAC-2830S: SMT, Bulk Package (On Board Antenna)
- SX-SDMAC-2830S-SP: SMT, Sample Pack (On Board Antenna)
- SX-SDMAC-2831S: SMT, Bulk Package (2 U.FL Connectors)
- SX-SDMAC-2831S-SP: SMT, Sample Pack (2 U.FL Connectors)
- SX-SDCAC-2830-SP: QCA9377 Evaluation Module (Includes antennas and cables)

Pin Numbering and Connection Options



General Specifications

- On-Chip Functionality: MAC/BB/PHY Processing
- Hardware Encryption: WAPI, WEP, AES-GCMP 128/256, AES-CCMP 128/256, TKIP, WAPI Full Rate
- Supported Data Rates:
 - IEEE 802.11b: 1 – 11 Mbps
 - IEEE 802.11a and g: 6 – 54 Mbps
 - IEEE 802.11n: MCS0-7 (1x1)
 - IEEE 802.11ac: MCS0-9 (1x1)
- Bluetooth: Bluetooth 4.1 BR/EDR/BLE Smart Ready

Driver Support

- Wi-Fi Reference Drivers:**
- Linux
 - AP Mode and STA Mode.
 - WPA2/WPA, TKIP, AES Encryption, IEEE 802.1X, EAP
 - IEEE 802.11e (QoS)
 - WPS2.0
 - Wi-Fi Direct
 - Android*
 - Windows*
 - WEC 7 Driver
- *Alpha version
Contact Silex for driver support for other OS's.

silex technology is a registered trademark of silex technology, Inc. Other product or brand names may be registered trademarks or trademarks of their respective owners. Technical information and specifications are subject to change without notice. © 2016 silex technology, Inc. All rights reserved.

silex global sales & support locations