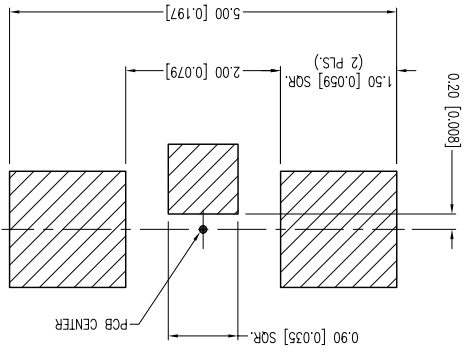
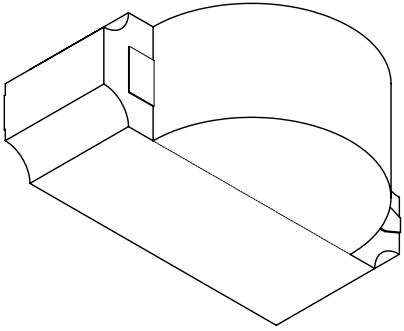
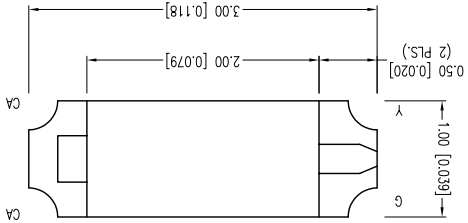
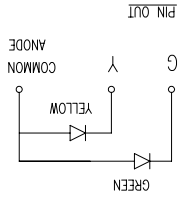
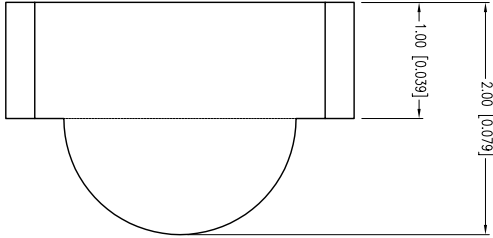
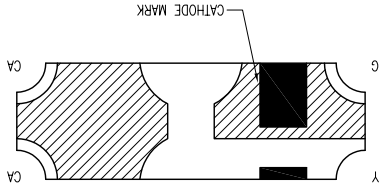


1.0x3.0mm PCB RIGHT ANGLE SURFACE MOUNT LED, 565/585nm GREEN/YELLOW, WATER CLEAR LENS, TAPE & REEL.  
DATE: 05.16.11 DRAWN BY: AB  
PAGE: 1 OF 2 CHKD BY: KF  
SCALE: NTS AFRVD BY: SS  
UNIT: mm [INCH]

UNLESS OTHERWISE SPECIFIED TOLERANCES PER DECIMAL PRECISION ARE: X±1 (±0.039), XX±0.5 (±0.020), XXX±0.25 (±0.010), XXXX±0.127 (±0.005), LEAD SIZE±0.05 (±0.002), LEAD LENGTH±0.75 (±0.030), MIN=-0.00, DECIMAL PRECISION MAX=+0.00, DECIMAL PRECISION MIN=-0.00, UNCONTROLLED DOCUMENT



RECOMMENDED SOLDER PAD LAYOUT



CAUTION: STATIC SENSITIVE DEVICE  
FOLLOW PROPER E.S.D. HANDLING PROCEDURES  
WHEN WORKING WITH THIS PART.

CAUTION: MOISTURE SENSITIVE DEVICE  
PER JEDEC LEVEL 2 STANDARDS

PARAMETER	MAX	UNITS
PEAK FORWARD CURRENT*	160	mA
STEADY CURRENT (G/Y)	25/30	mA
POWER DISSIPATION	100	mW
DERATE FROM 25°C	-1.2	mW/°C
OPERATING TEMP.	-40 TO +85	°C
STORAGE TEMP.	-40 TO +85	°C

\* I<10µs

PARAMETER	MIN	TYP	MAX	UNITS	TEST COND
PEAK WAVELENGTH (G/Y)	565/585			nm	
FORWARD VOLTAGE (G/Y)	2.2/2.0		2.4	Vf	I=100µA
REVERSE VOLTAGE	5.0			Vr	I=20mA
AXIAL INTENSITY (G/Y)	11/6			cd	I=20mA
VIEWING ANGLE	120			2x theta	
EMITTED COLOR:	GREEN/YELLOW				
EPOXY LENS FINISH:	WATER CLEAR				

ELECTRO-OPTICAL CHARACTERISTICS TA = 25°C, IF = 20mA

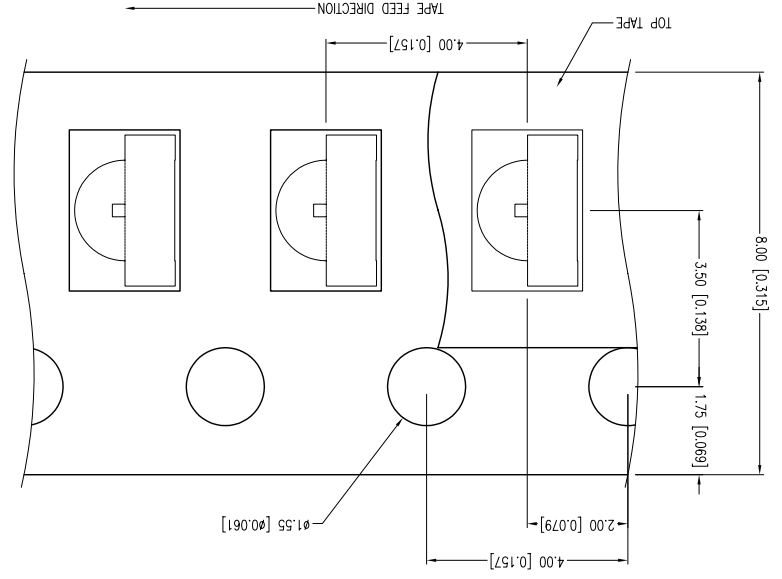
PART NUMBER	DATE	E.C.N. NUMBER AND REVISION COMMENTS	REV.
SML-LXR851GYC-TR	09.07.04	E.C.N. #10967.	A
	05.27.09	E.C.N. #11570.	B
	05.16.11	E.C.N. #11710/10BRDR. & REDRAWN.	C

1.0x3.0mm PCB RIGHT ANGLE SURFACE MOUNT LED, 565/585nm GREEN/YELLOW, WATER CLEAR LENS, TAPE & REEL.  
 \*\*THE SPECIFICATIONS MAY CHANGE AT ANY TIME WITHOUT NOTICE DUE TO NEW MATERIALS OR PRODUCT IMPROVEMENT.\*\*  
 CONFIDENTIAL INFORMATION  
 KEEP ALL INFORMATION CONTAINED IN THIS DOCUMENT THE PROPERTY OF LUMEX INC. EXCEPT AS SPECIFICALLY AUTHORIZED IN WRITING BY LUMEX INC., THE HOLDER OF THIS DOCUMENT SHALL NOT BE DISCLOSED OR REPRODUCED IN ANY MANNER WITHOUT THE WRITTEN PERMISSION OF LUMEX INC.

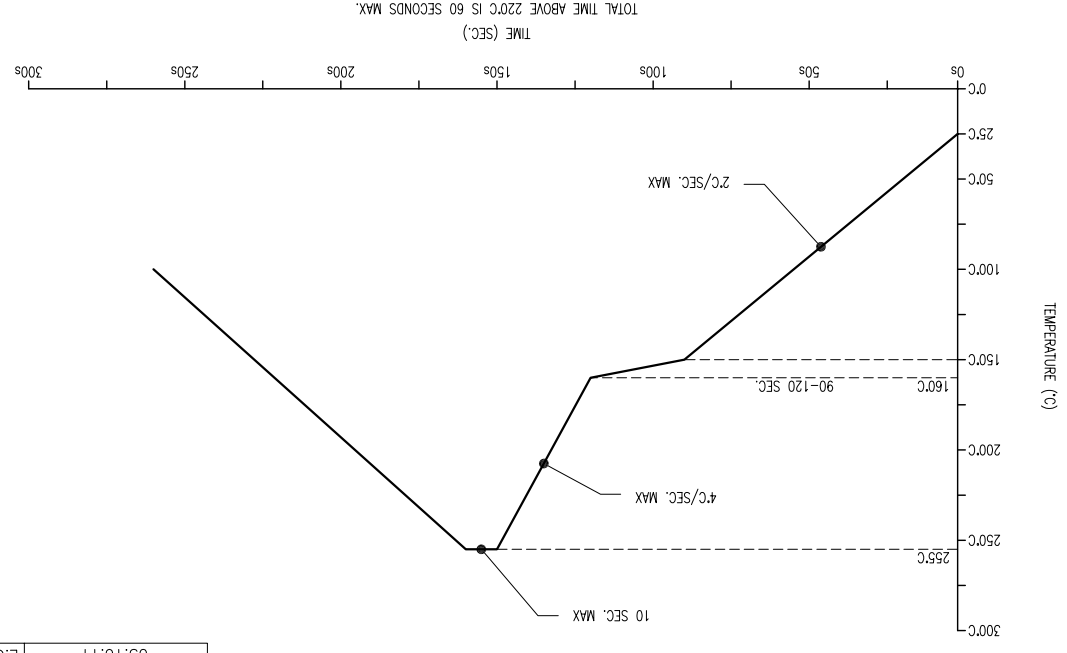
DATE: 05.16.11	DRAWN BY: AB
PAGE: 2 OF 2	CHKD BY: KF
SCALE: NTS	APRVD BY: SS
UNIT: mm [INCH]	

UNLESS OTHERWISE SPECIFIED TOLERANCES PER DECIMAL PRECISION ARE: X=±1 (±0.039), Y=±0.5 (±0.020), Z=±0.25 (±0.010), XXX=±0.127 (±0.005), LEAD SIZE=±0.05 (±0.002), LEAD LENGTH=±0.75 (±0.030), MIN=-0.00, DECIMAL PRECISION MAX=±0.00, DECIMAL PRECISION MIN=-0.00

UNCONTROLLED DOCUMENT



- NOTES:  
 1. 2,000 PER REEL  
 2. THE CATHODE IS ORIENTED TOWARDS THE TAPE  
 SPROCKET HOLE.



PART NUMBER	SML-LXR851GYC-TR	REV.	C
DATE	E.C.N. NUMBER AND REVISION COMMENTS		
09.07.04	E.C.N. #10967.	A	
05.27.09	E.C.N. #11570.	B	
05.16.11	E.C.N. #11710/10BRDR. & REDRAWN.	C	

## X-ON Electronics

Largest Supplier of Electrical and Electronic Components

*Click to view similar products for [Standard LEDs - SMD category](#):*

*Click to view products by [Lumex manufacturer](#):*

Other Similar products are found below :

[LTST-C19GD2WT](#) [LTST-N683GBEW](#) [597-3006-607F](#) [597-3403-607F](#) [LTW-K140SZR40](#) [LTW-M140ZVS](#) [598-8110-100F](#) [598-8170-100F](#)  
[598-8610-202F](#) [7012X7](#) [AAAF5060QBFSEEZGS](#) [12-22SURSYGC/S530-A3/E2/TR8](#) [1383SURT/S530-A3/TR1\(R\)](#) [APT1608QGW](#)  
[EASV1803BA0](#) [SML310BATT86](#) [SML-512VWT86A](#) [SML-LX0606SISUGC/A](#) [SML-LXL1307SRC-TR](#) [SML-LXR851SIUPGUBC](#)  
[LT1ED53A](#) [17-21/G6C-FM1N2B/3T](#) [FAT801-S](#) [SSL-LXA227IC-TR31A](#) [AM27ZGC03](#) [APB3025SGNC](#) [APHK1608VGCA](#) [APT2012QGW](#)  
[CLMVC-FKA-CA1E1L81BB7C3C3](#) [CLYBA-FKA-CFHHL9BBB7A363](#) [CMD11504UR](#) [LTW-020ZDCG](#) [LTW-21TS5](#) [LTW-K140SZR30](#)  
[HSMY-C177](#) [UYGT801-S](#) [KVH1C100MF6R](#) [42-21SYGC/S530-E1/TR8](#) [YGFR411-H](#) [597-2311-402F](#) [597-2712-602F](#) [5973212407NF](#)  
[597-3302-607F](#) [597-5202-407F](#) [598-8330-117F](#) [SAW8WA2A-L35M40-CA](#) [SML013WBDW1](#) [SML-LX0402IC-TR](#) [CLMVC-FKA-](#)  
[CLBDGL7LBB79353](#) [VLMKG3400-GS08](#)