

02 0260

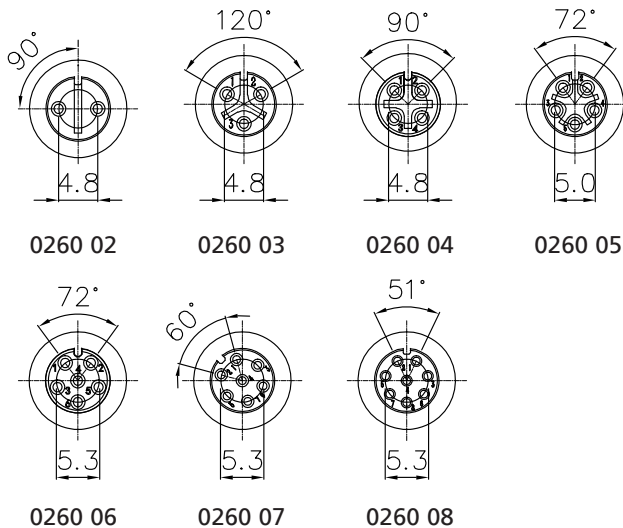
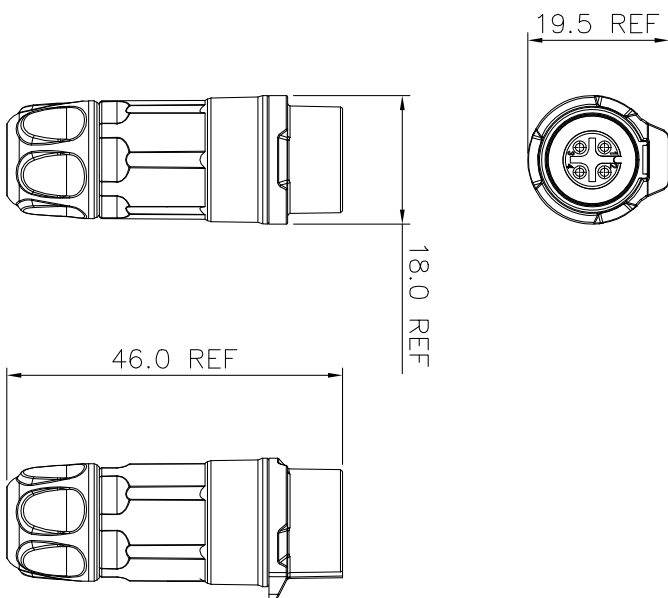
Quicklock circular connectors, IP67



Quicklock socket, IP67, size 12, straight version, with plastic housing and solder terminals

Approvals:  pending 

02 0260



Environmental conditions

Temperature range -40 °C/+80 °C

Materials

Insulating body/handle PBT, V-0 according to UL94
Contact bush CuSn, gold-plated
Cap nut PBT, V-0 according to UL94

Mechanical data

Mating cycles 1700
Insertion force ≤ 80 N
Withdrawal force ≤ 50 N
Protection class IP67

Connectable conductors for solder area

Cable diameter 3.0–6.0 mm

Electrical data (at T_{amb} 20 °C)

Contact resistance ≤ 10 mΩ
Rated current 5 A (2–6 poles)
3 A (7–8 poles)
Rated voltage 125 V
Rated impulse voltage 1500 V AC
Creepage distance ≥ 1,5 mm
Clearance ≥ 0,5 mm
Insulation resistance > 500 MΩ

Associated products

Counterparts
☑ 0250

02 0260

Designation	Pole Number	PU (Pieces)	MDQ (Pieces)
0260 02	2	15	60
0260 03	3	15	60
0260 04	4	15	60
0260 05	5	15	60
0260 06	6	15	60
0260 07	7	15	60
0260 08	8	15	60

Packaging:

in individual plastic bags, in a cardboard box