

02 0271

Quicklock circular connectors, IP67

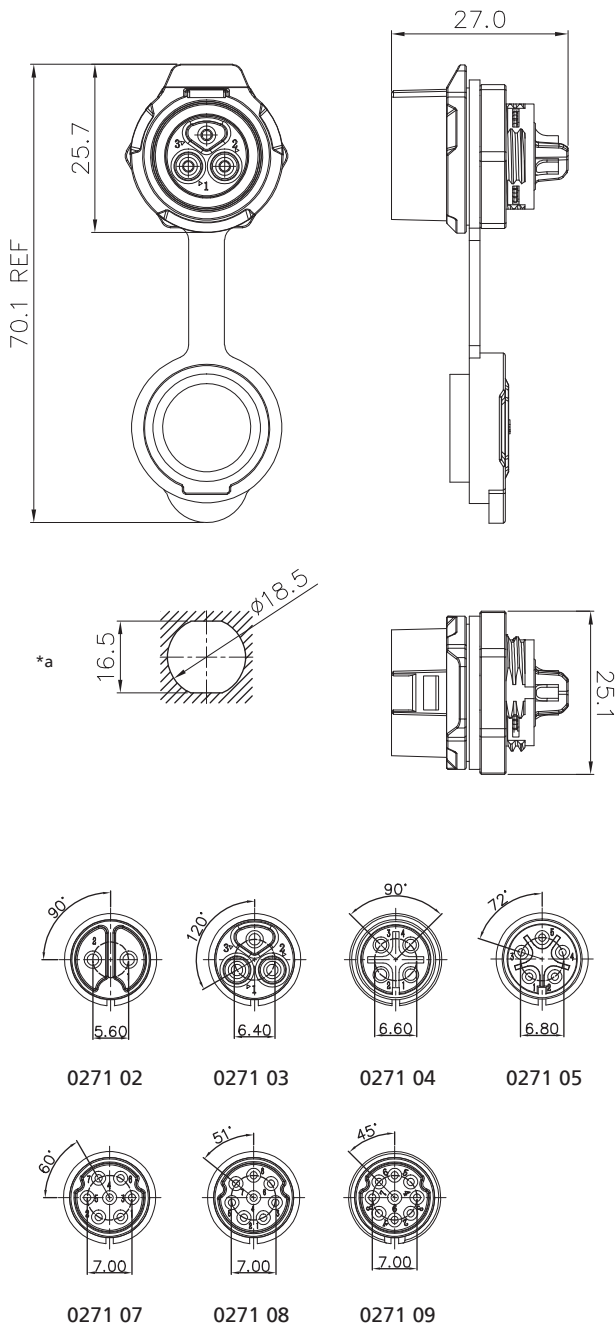


Quicklock chassis socket, IP67, size 16, straight version,
with plastic housing, solder terminals and protecting cap

Approvals:  pending 

02

0271



Environmental conditions

Temperature range -40 °C/+80 °C

Materials

Insulating body PBT, V-0 according to UL94
 Contact bush CuSn, gold-plated
 Housing PBT, V-0 according to UL94
 Cap SI
 Hexagonal nut PBT, V-0 according to UL94

Mechanical data

Mating cycles 1700
 Insertion force ≤ 90 N
 Withdrawal force ≤ 40 N
 Protection class IP67

Electrical data (at T_{amb} 20 °C)

Contact resistance ≤ 5 mΩ
 Rated current 10 A (2-4 poles)
 5 A (5-9 poles)
 Rated voltage 400 V
 Rated impulse voltage 2500 V AC
 Creepage distance ≥ 2 mm
 Clearance ≥ 2 mm
 Insulation resistance > 500 MΩ

Associated products

Counterparts
 ↗ 0251

*a port

02

0271

Designation	Pole Number	PU (Pieces)	MDQ (Pieces)
0271 02	2	10	50
0271 03	3	10	50
0271 04	4	10	50
0271 05	5	10	50
0271 07	7	10	50
0271 08	8	10	50
0271 09	9	10	50

Packaging:

in individual plastic bags, in a cardboard box