

02 0272

Quicklock circular connectors, IP67



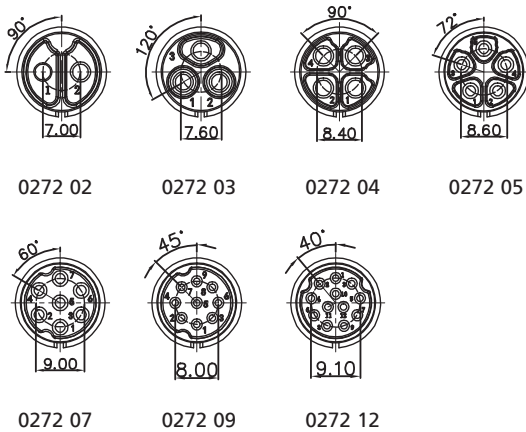
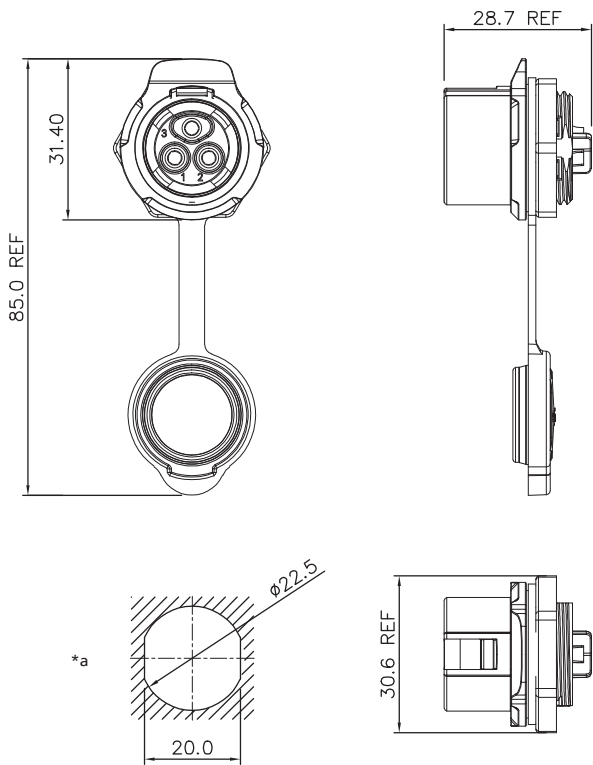
Quicklock chassis socket, IP67, size 20, straight version,  
with plastic housing, solder terminals and protecting cap

---

Approvals:  pending 

---

02 0272



\*a port

### Environmental conditions

Temperature range -40 °C/+80 °C

### Materials

Insulating body	PBT, V-0 according to UL94
Contact bush	CuSn, gold-plated
Housing	PBT, V-0 according to UL94
Cap	SI
Hexagonal nut	PBT, V-0 according to UL94

### Mechanical data

Mating cycles	1700
Insertion force	≤ 130 N
Withdrawal force	≤ 120 N
Protection class	IP67

### Electrical data (at T<sub>amb</sub> 20 °C)

Contact resistance	≤ 5 mΩ
Rated current	20 A (2–4 poles) 12 A (5–7 poles) 5 A (9–12 poles)
Rated voltage	500 V
Rated impulse voltage	2500 V AC (2–7 poles) 1500 V AC (9–12 poles)
Creepage distance	≥ 2 mm
Clearance	≥ 2 mm
Insulation resistance	> 500 MΩ

### Associated products

Counterparts  
☞ 0252

02

0272

Designation	Pole Number	PU (Pieces)	MDQ (Pieces)
0272 02	2	10	40
0272 03	3	10	40
0272 04	4	10	40
0272 05	5	10	40
0272 07	7	10	40
0272 09	9	10	40
0272 12	12	10	40

**Packaging:**

in individual plastic bags, in a cardboard box