

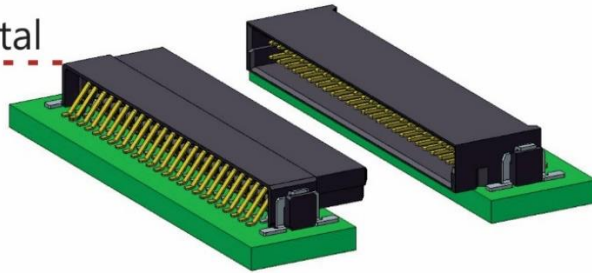


**PANCON**  
CONNECTORS • EUROPE

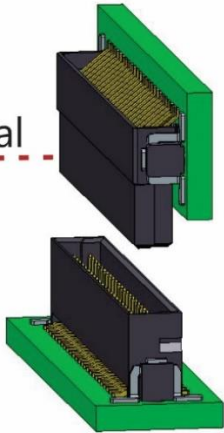
LAT-CON127



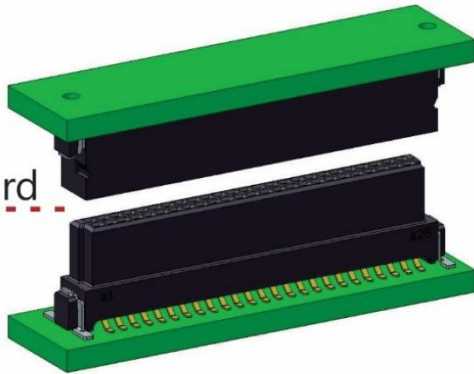
Horizontal



Vertical



Board-to-Board

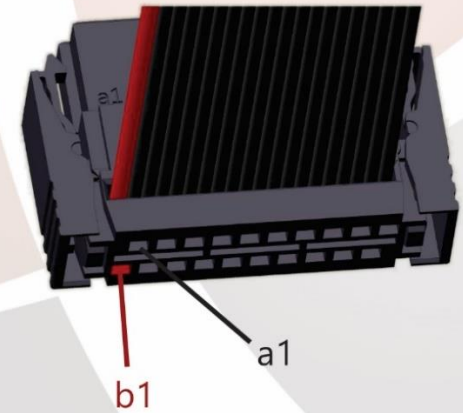
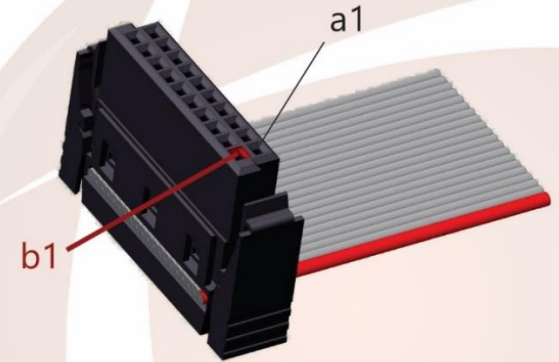


LAT-CON127

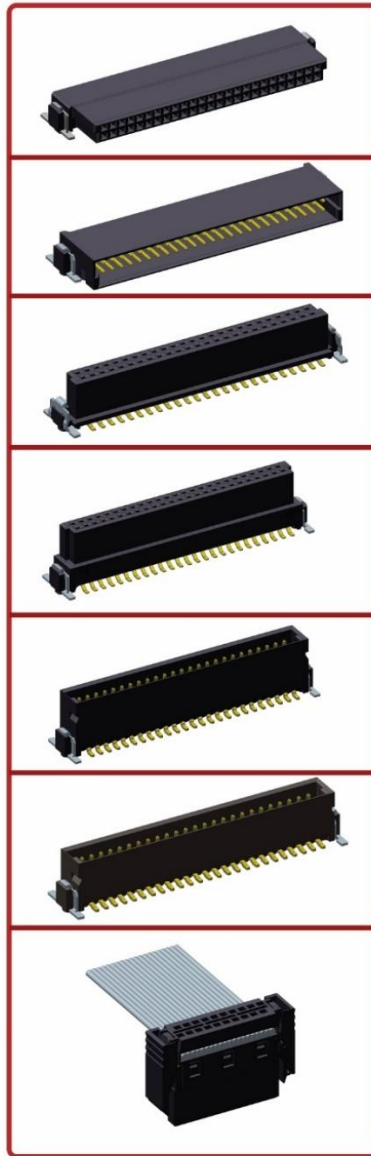


Wire-to-Board

IDC Cable assembly with flat cable



# LAT-CON 127

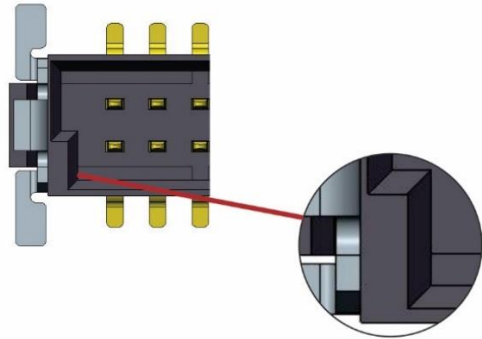


## Connector system for PCB & Cable Application

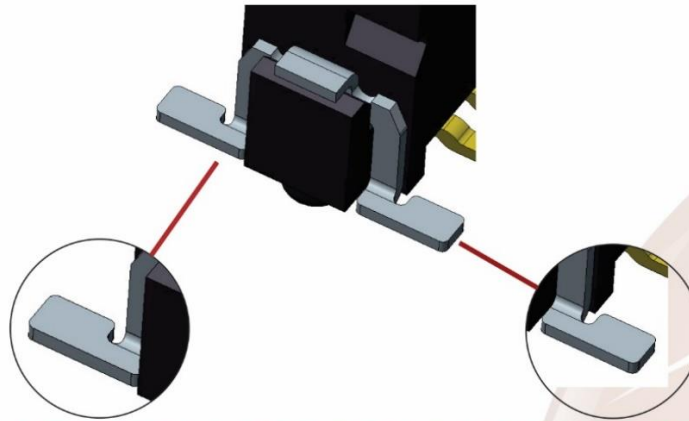
Pitch 1.27mm (.050")

- Wide range of **Board-to-Board** and **Wire-to-Board** connectors
  - Tested **compatibility** with other suppliers
  - Reliable **double sided spring contact**
- The contacts overlap of 2.5mm (.098") ensures always a **secure connection**
- Male and Female connectors in 2 heights, 9 pole sizes
  - **Horizontal** as well as **vertical** orientation
  - **UL-listed**

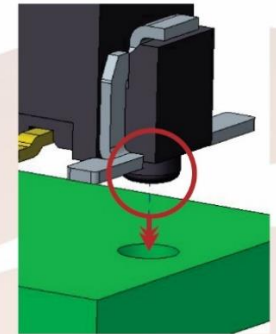
### Absolute mismatch protection



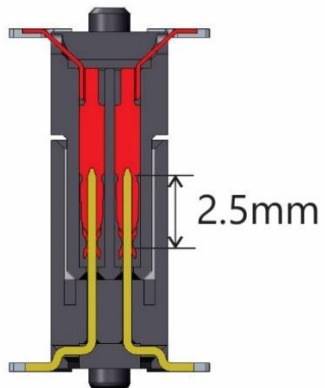
### Metal clips



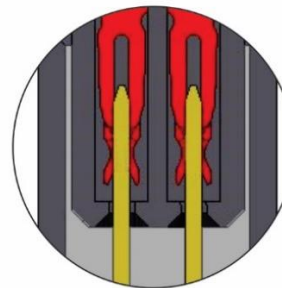
### Positioning pegs



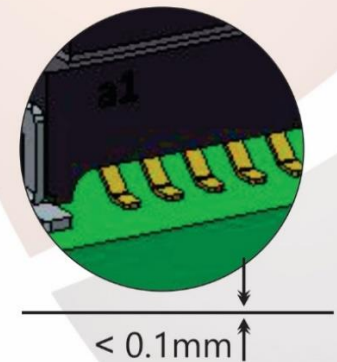
### Huge contact overlap



### Double sided contact



### Coplanarity



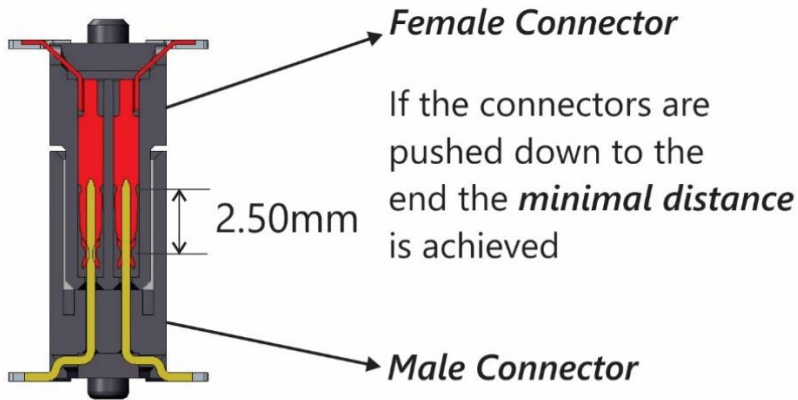




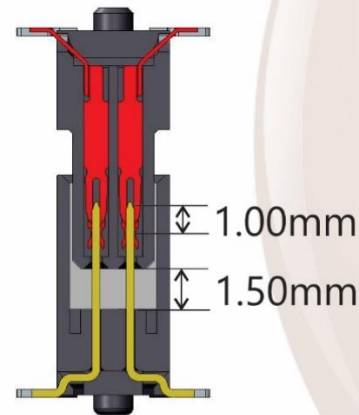
With the different versions of male and female connectors we can realize PCB distances from **8.00 to 13.80mm** (0.31" to 0.54")

PCB Distance		
Min. - Max.	Header	Socket
8.00 - 9.50mm (0.31" - 0.37")	low-profile	low-profile
9.50 - 11.00mm (0.37" - 0.43")	mid-profile	low-profile
10.80 - 12.30mm (0.43" - 0.48")	low-profile	mid-profile
12.30 - 13.80mm (0.48" - 0.54")	mid-profile	mid-profile

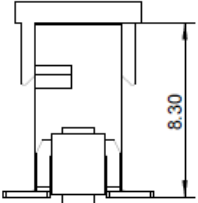


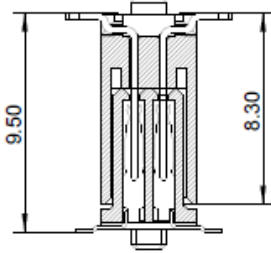
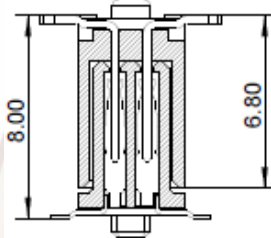
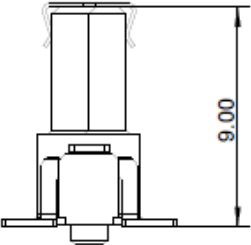
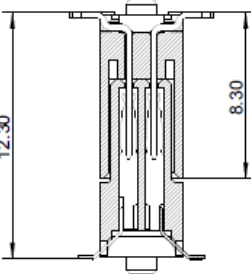
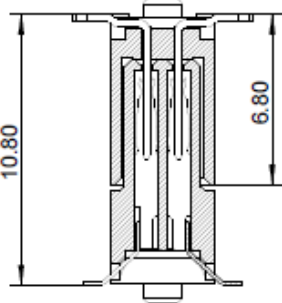
### Minimal Distance between PCB's

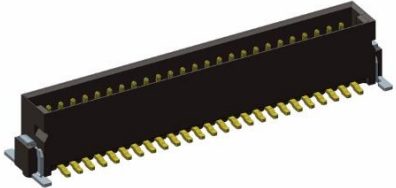
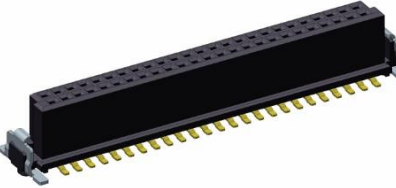
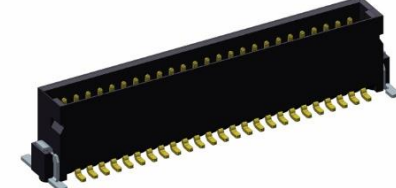
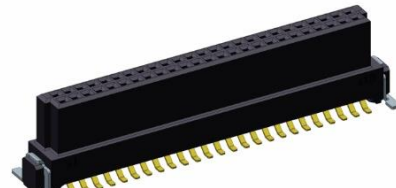


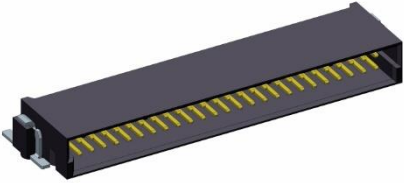
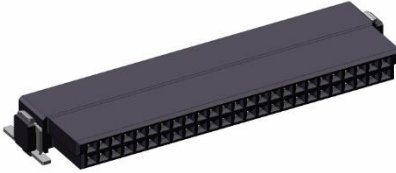

### Maximum Distance between PCB's



Male and female connectors can be plugged variable with a range of 1.5mm (0.06") to achieve the **maximum possible PCB distance**. The remaining 1.0mm (0.039") guarantee thereby a reliable contact

<p style="text-align: center;"><b>MALE</b></p> <p style="text-align: center;"><b>FEMALE</b></p>	<p style="text-align: center;">180° SMT TYPE</p>  <p style="text-align: center;">033M0XX-167U</p>	<p style="text-align: center;">180° SMT TYPE</p>  <p style="text-align: center;">033L0XX-167U</p>
<p style="text-align: center;">180° SMT TYPE</p>  <p style="text-align: center;">033L0XX-467U</p>		
<p style="text-align: center;">180° SMT TYPE</p>  <p style="text-align: center;">033M0XX-467U</p>		

Style	Part No. Description	PCB Connection			Cable connection (IDC)
		Parallel (Board-to-Board)	Horizontal	90°	
	<b>033L0XX-167U</b> Male Straight Low Profile	8.0 - 12.3mm (.32"-.48")		with 033-0XX-467U	with 033-0XX-465
	<b>033L0XX-467U</b> Female Straight Low Profile	8.0 - 11.0mm (.32"-.43")		with 033-0XX-067U	
	<b>033M0XX-167U</b> Male Straight Mid Profile	9.5 - 13.8mm (.37"-.54")		with 033-0XX-467U	with 033-0XX-465
	<b>033M0XX-467U</b> Female Straight Mid Profile	10.8 - 13.8mm (.43"-.54")		with 033-0XX-067U	

Style	Part No. Description	PCB Connection			Cable connection (IDC)
		Parallel (Board-to-Board)	Horizontal	90°	
	033-0XX-067U Male 90°			with female counterpart	with 033-0XX-465
	033-0XX-467U Female 90°			with male counterpart	
	033-0XX-465 Female Cable(IDC)				

XX: No. of Poles = 12 / 16 / 20 / 26 / 32 / 40 / 50 / 68 / 80



<i>Description</i>	<i>Value</i>	<i>Description</i>	<i>Value</i>
No. of Contacts	12/16/20/26/32/40/50/68/80	Contact Material	Phosphor Bronze
Nominal Current	1.2A at 20°C max.	Contact Plating	Sn and Au over Ni
Contact Resistance	25 mΩ max	Creepage-, Clearance Distance, CTI	0.4mm min (0.016"), CTI 176
Insulation Resistance	>10 MΩ	Connection to PCB	SMT for reflow soldering
Test Voltage	500 Veff	Connection to Cable	IDC
Contact Durability (mating cycles)	500 cycles min.	Type of Flat Cable	AWG 30 / 7 / 0.102mm (.004")
Coplanarity	0.1mm (.004") max.	Solder Process	260°C acc. to J-STD-021
Temperature range	-55°C to + 125°C	Packing	Tape & Reel (tray for IDC-type)
Flammability (UL 94)	V0	Placement	Pick & Place
Housing Material	LCP		

033 M 040 - 167 U

-: Standard (Angled)  
L: Low Profile Straight  
M: Mid Profile Straight

No. of Contacts:  
12, 16, 20, 26, 32, 40, 50,  
68, 80

0: Angled  
1: Straight  
4: Socket

6: 500  
Mating  
Cycles

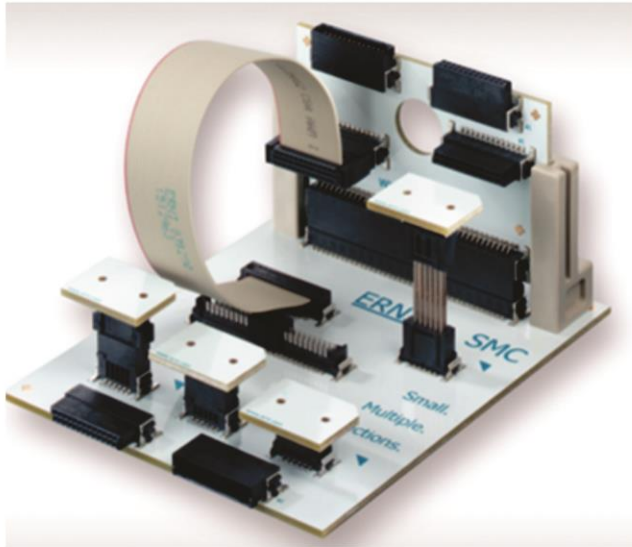
5: Socket  
(IDC)  
7: SMT

-: Tray Packing  
U: Tape & Reel  
Packing

### Packing:

- Tape & Reel
- Blister (IDC Version)





# Contact Persons:

***Sales Manager Industrial EMEA***

***Mr. Reinhard Zorn***

Mobile: +49(0) 151 16740037

E-mail: reinhard.zorn@pancon.de

***Manager Customer Service***

***Sales Representative Italy / Spain / France***

***Mr. Liborio D'Ambra***

Tel.: +49 6081 964 210

E-mail: liborio.dambra@pancon.de

