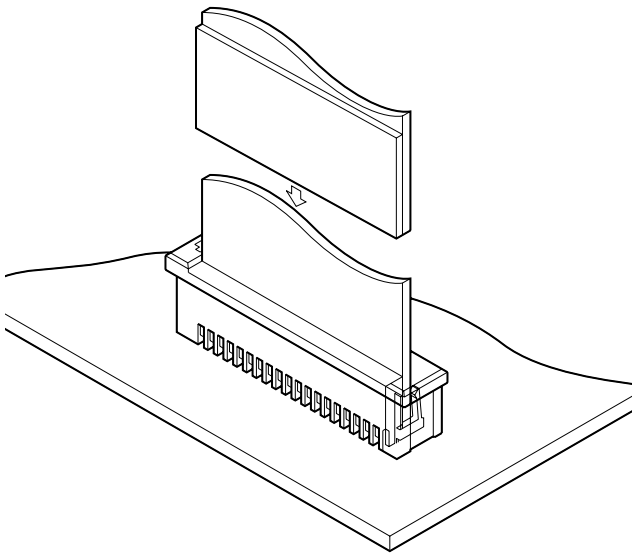




FMZ CONNECTOR



1.0mm pitch/Connectors for FFC



The FMZ series, a Zero Insertion Force (ZIF) connector series, was developed to increase wear resistance and extend the connector's mating life. It is a very compact connector with a thickness of only 4.2 mm and a pitch of only 1.0 mm and is thus useful for high density packaging. The contact has a reliable double-leaf construction which provides stable connection.

- Zero insertion force mechanism
- Temporary retention feature
- Compact
- Double-leaf contact

Specifications

- Current rating: 0.5 A AC, DC
- Voltage rating: 50 V AC, DC
- Temperature range: -25°C to +85°C
(including temperature rise in applying electrical current)
- Contact resistance: Initial value/ 20 mΩ max.
After environmental tests/ 30 mΩ max.
- Insulation resistance: 800 MΩ min.
- Withstanding voltage: 500 VAC/minute
- Applicable FFC: Conductor pitch/ 1.0 mm
Conductor width/ 0.7 mm
Mating part thickness/
6, 8 to 10, 12 to 16, 20 circuits: 0.3 ± 0.05 mm
22, 26, 28, 30 circuits: 0.3^{+0.05} mm
- Applicable PC board thickness: 0.8 to 1.6 mm

Note: FFC to be actually used should be checked for applicability.

* Refer to "General Instruction and Notice when using Terminals and Connectors" at the end of this catalog.

* Contact JST for details.

* Compliant with RoHS.

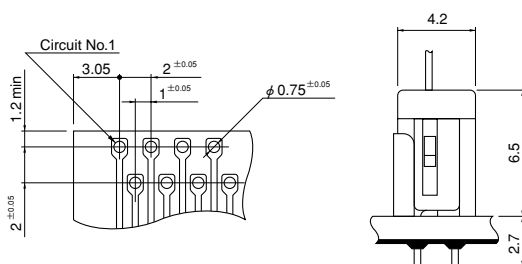
Standards

Ⓜ Recognized E60389

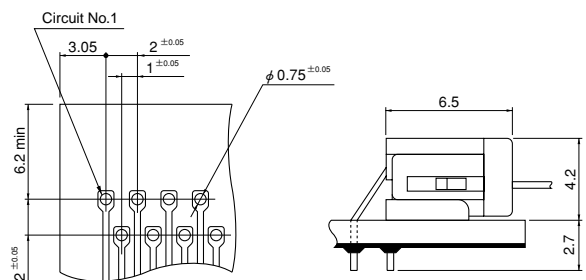
Ⓢ Certified LR20812

PC board layout and Assembly layout

Top entry type



Side entry type

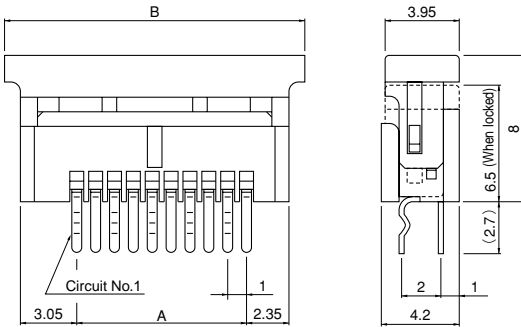


- Note: 1. The above figure is the figure viewed from the connector soldering side.
2. Tolerances are non-cumulative: ±0.05 mm for all centers.
3. Hole dimensions differ according to the type of PC board and piercing method.
The dimensions above should serve as a guideline. Contact JST for details.

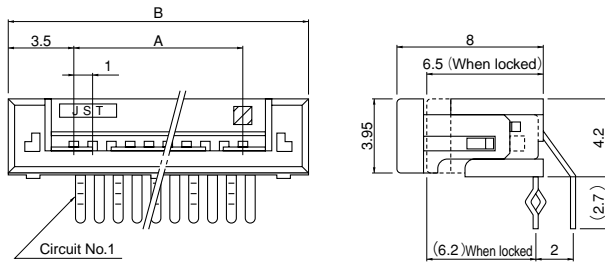
FMZ CONNECTOR

Connector

Top entry type



Side entry type



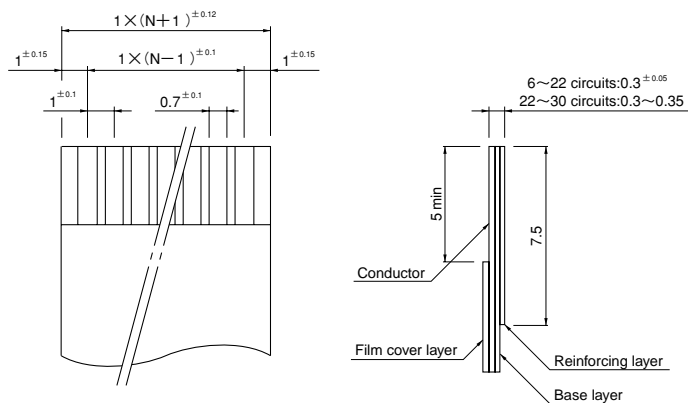
Circuits	Model No.		Dimensions (mm)		Q'ty/box	
	Top entry type	Side entry type	A	B	Top entry type	Side entry type
6	06FMZ-BT	06FMZ-ST	5.0	12.0	1,440	800
8	08FMZ-BT	08FMZ-ST	7.0	14.0	1,440	800
9	09FMZ-BT	—	8.0	15.0	960	—
10	10FMZ-BT	10FMZ-ST	9.0	16.0	960	600
12	12FMZ-BT	12FMZ-ST	11.0	18.0	960	600
13	13FMZ-BT	13FMZ-ST	12.0	19.0	960	600
14	14FMZ-BT	14FMZ-ST	13.0	20.0	960	400
15	15FMZ-BT	15FMZ-ST	14.0	21.0	780	400
16	16FMZ-BT	16FMZ-ST	15.0	22.0	780	400
17	17FMZ-BT	17FMZ-ST	16.0	23.0	780	400
20	20FMZ-BT	20FMZ-ST	19.0	26.0	720	400
22	22FMZ-BT	22FMZ-ST	21.0	28.0	720	400
24	—	24FMZ-ST	23.0	30.0	—	300
26	26FMZ-BT	26FMZ-ST	25.0	32.0	480	300
28	28FMZ-BT	28FMZ-ST	27.0	34.0	480	300
30	30FMZ-BT	30FMZ-ST	29.0	36.0	480	300

Material and Finish

Contact: Phosphor bronze, copper-undercoated, tin-plated (reflow treatment)
Housing: Glass-filled PBT, UL94V-0

RoHS compliance This product displays (LF)(SN) on a label.

Lead section dimensions of FFC



Note: N --- Number of circuits