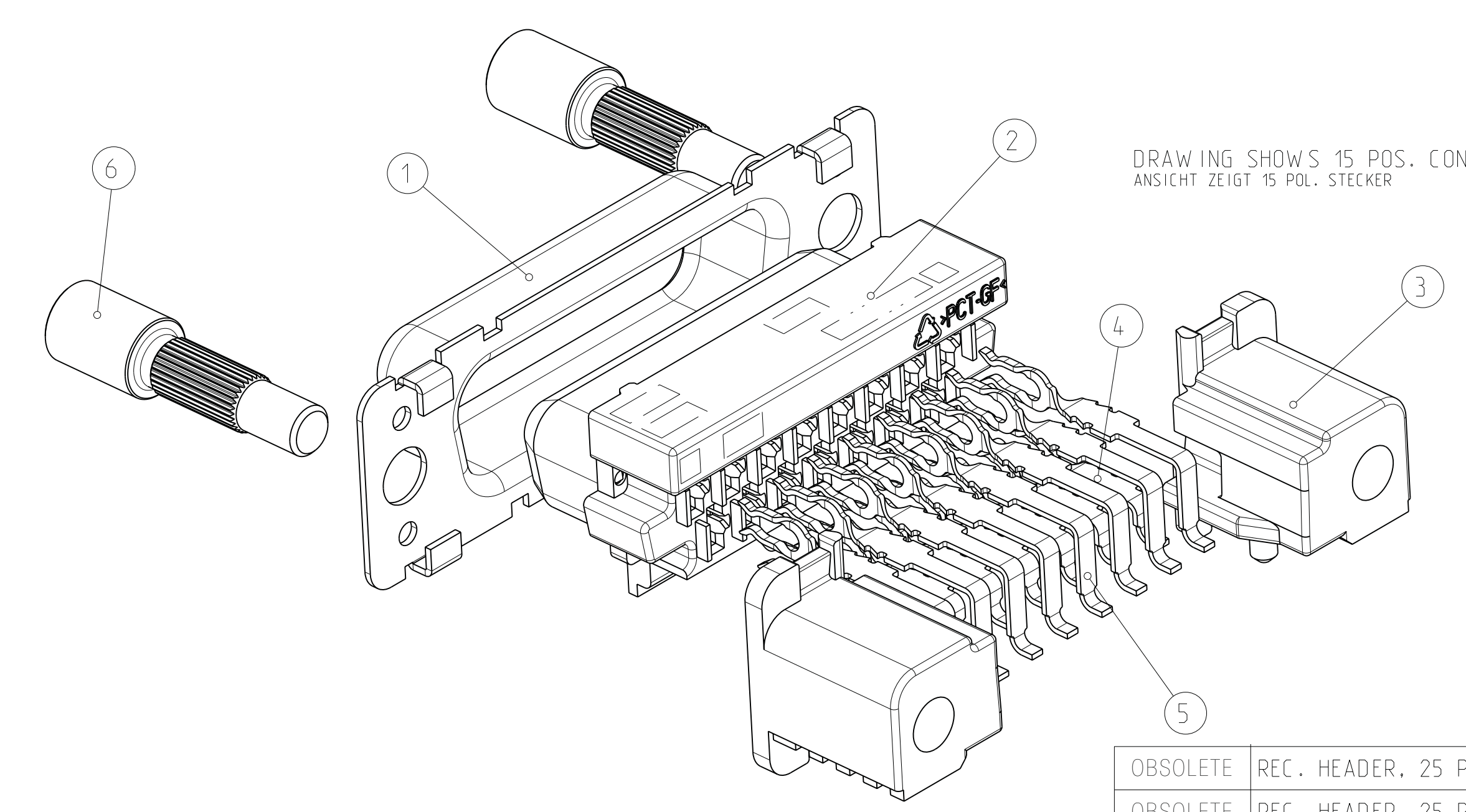
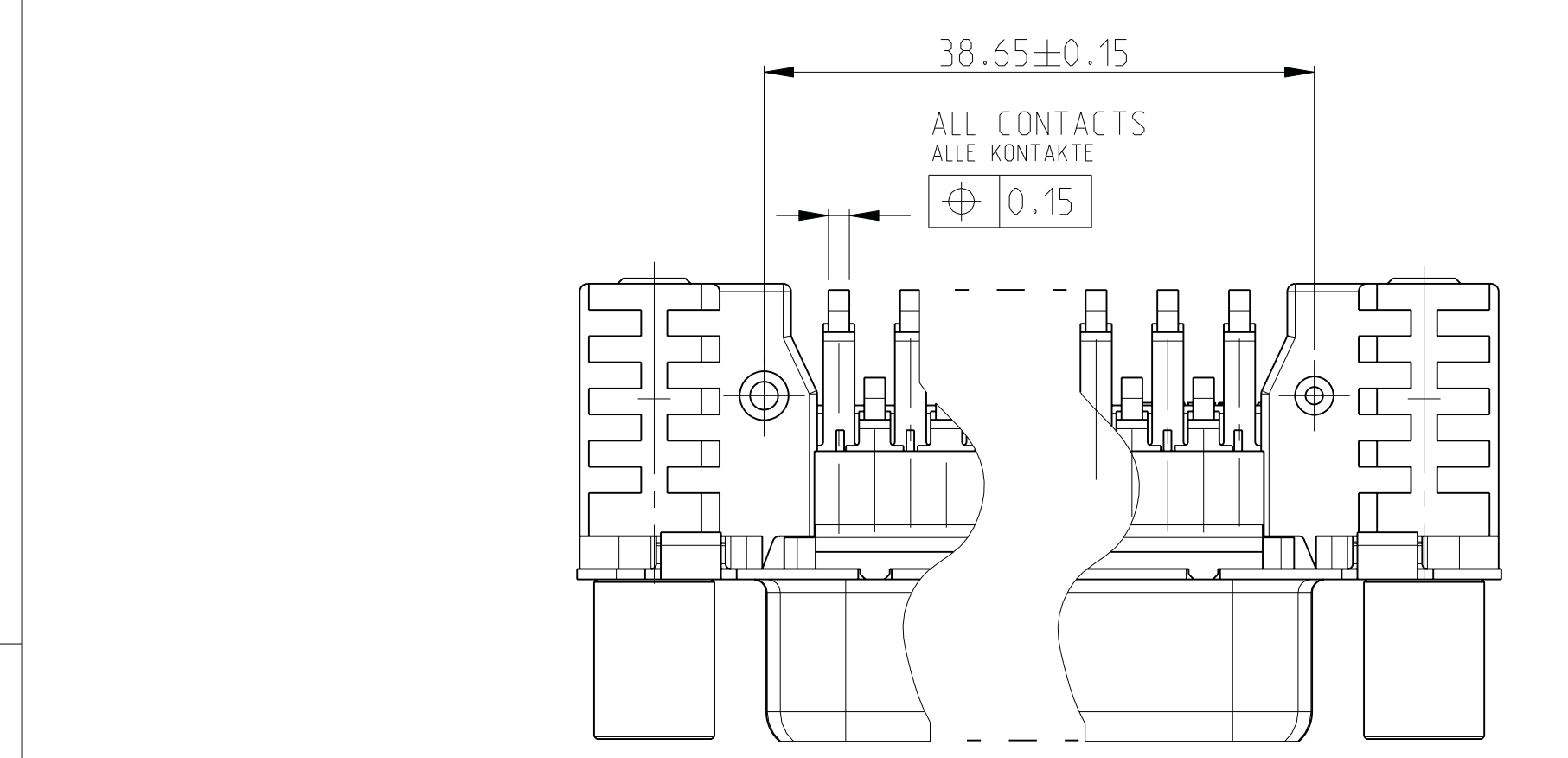
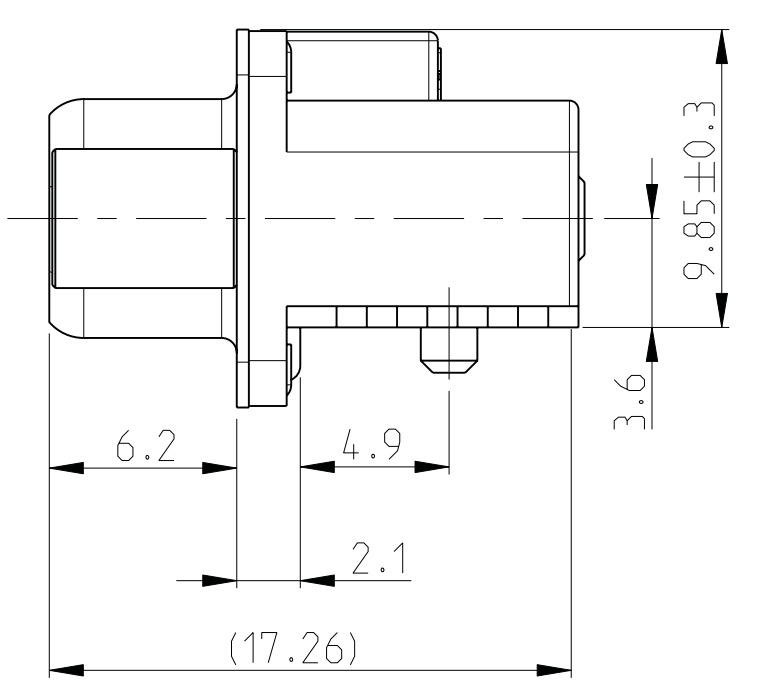
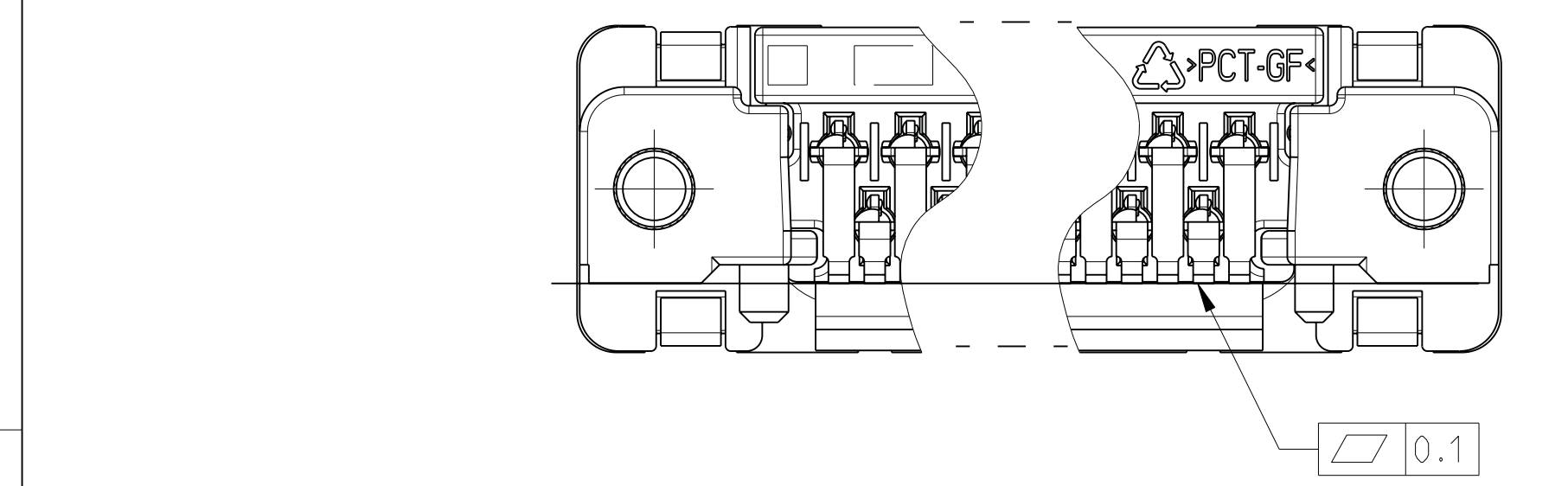


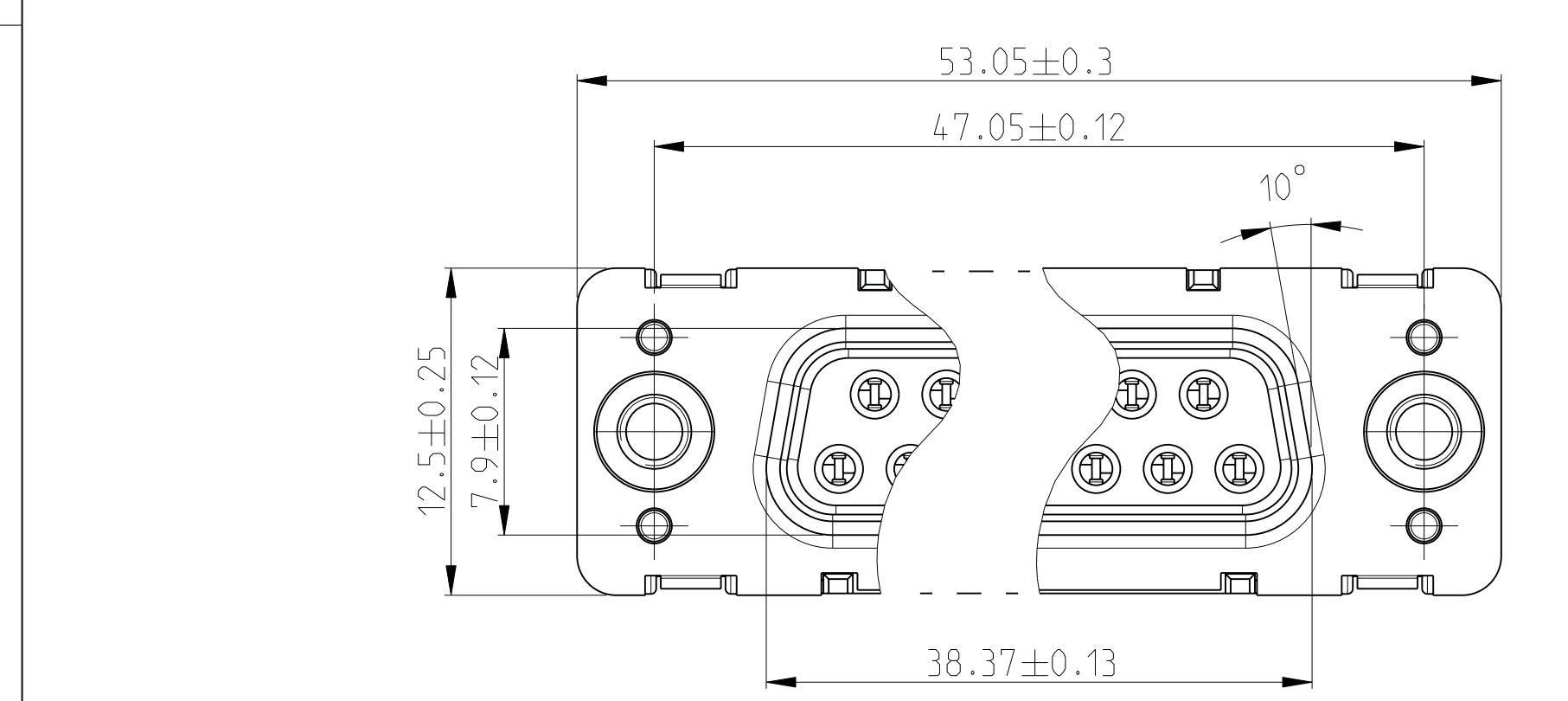
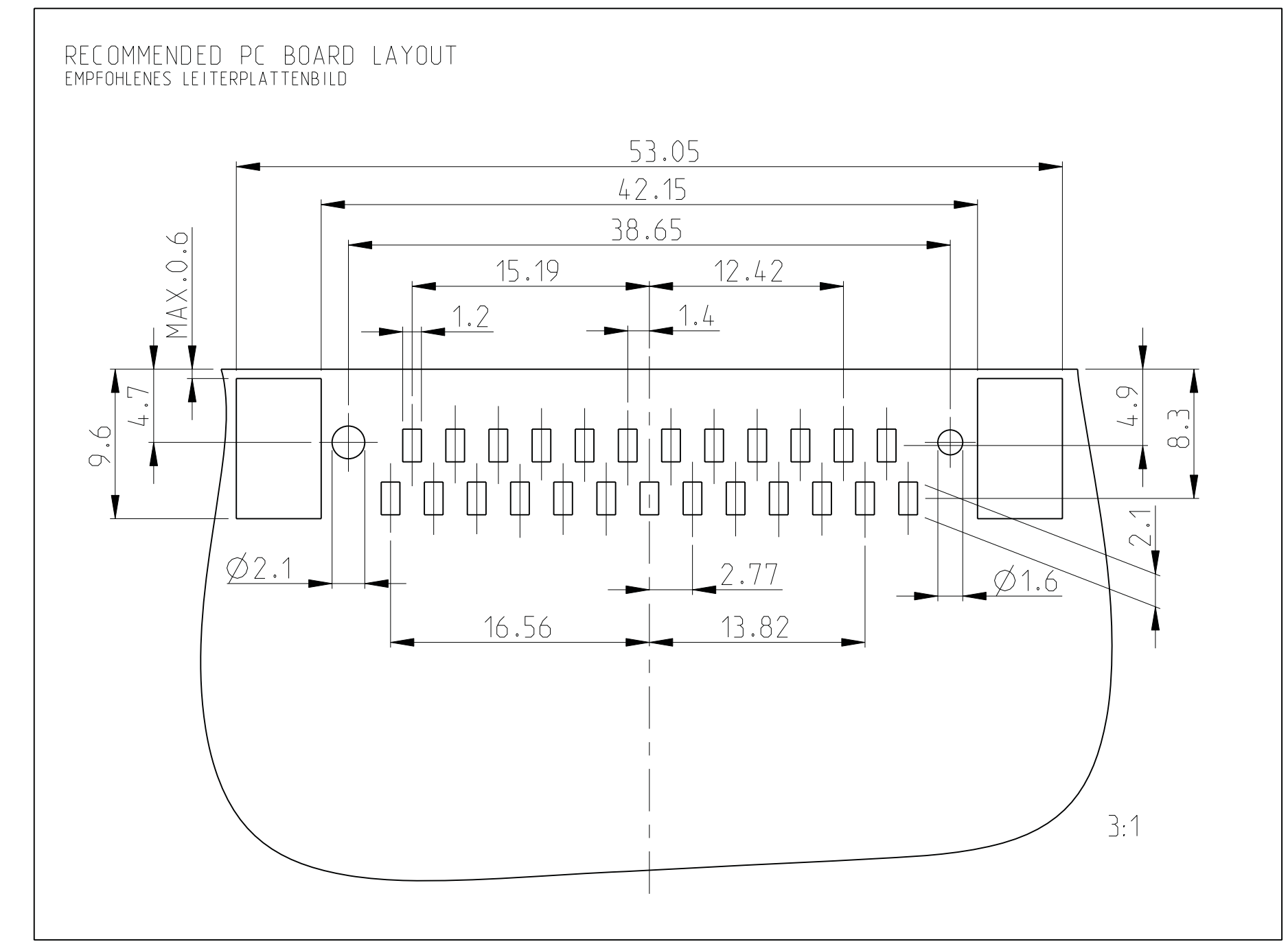
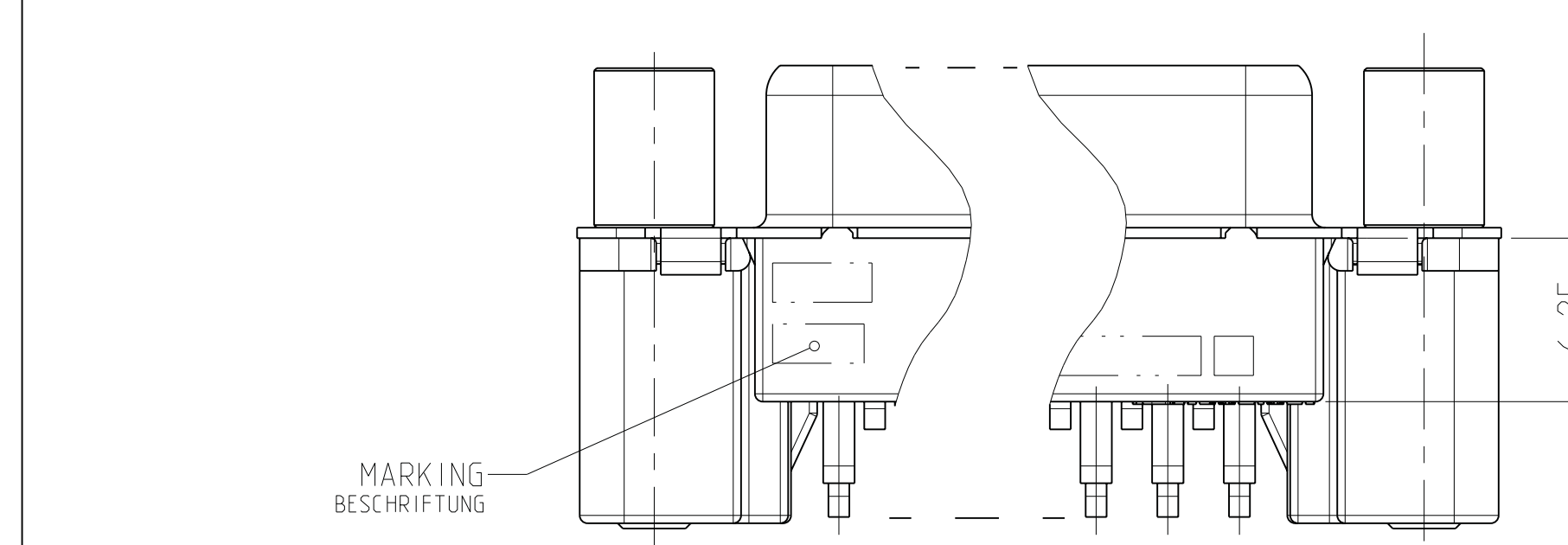
LOC	DIST	REVISIONS				
AI		REV.	DESCRIPTION	DATE	BY	CHK
PROJEKT NR.: EGDW03028		C1	PCN-10-001404	06APR2010	FM	TK
		D	ECR-10-012464	29SEP10	RK	KMA
		E	REVISED PER ECO-12-000073	29FEB2012	CJV	SLB



DRAWING SHOWS 15 POS. CONNECTOR
 ANSICHT ZEIGT 15 POL. STECKER



OBSOLETE	REC. HEADER, 25 POS., STUD WITH THREAD M3	4-1740198-2	4-1740198-5
OBSOLETE	REC. HEADER, 25 POS., BRACKET WITH THREAD M3	2-1740198-2	2-1740198-5
	REC. HEADER, 25 POS., STUD WITH THREAD UNC 4-40	3-1740198-2	3-1740198-5
	REC. HEADER, 25 POS., BRACKET WITH THREAD UNC 4-40	1-1740198-2	1-1740198-5
OBSOLETE	REC. HEADER, 25 POS., BRACKET WITH HOLE Ø3.1	0-1740198-2	0-1740198-5
	DESCRIPTION	SHELL PLATING: TIN OVER Ni	SHELL PLATING: Ni



REMARKS:
 ⚠ CONTACT AREA: min. 0.8 µm Au OVER 1.27 µm Ni.
 SOLDER AREA: 3-5 µm Sn OVER min. 1.27 µm Ni
 2 PACKAGING SEE SHEET 2
 3 CONNECTOR SUITABLE FOR LEAD-FREE SMT SOLDER PROCESS
 ⚠ TIN OVER NICKEL

BEMERKUNGEN:
 ⚠ KONTAKTBEREICH: min. 0.8 µm Au UEBER 1.27 µm Ni.
 LOETBEREICH: 3-5 µm Sn UEBER min. 1.27 µm Ni
 2 VERPACKUNGSART SIEHE BLATT 2
 3 STECKER GEEIGNET FUER BLEIFREIES SMT LOETEN
 ⚠ ZINN UEBER NICKEL

POS.	QTY.	DESCRIPTION BENENNUNG	SURFACE OBERFLAECHE COLOUR/FARBE	MATERIAL
6	2	THREAD STUD GEWINDEBOLZEN	NICKEL	STEEL STAHL
5	13	REC. CONTACT, SMD, LONG BUCHSENKONTAKT, SMD, LANG	⚠	CuMg
4	12	REC. CONTACT, SMD, SHORT BUCHSENKONTAKT, SMD, KURZ	⚠	CuMg
3	2	BRACKET, SMD, LEFT/RIGHT WINKELSTUECK, SMD, LINKS/RECHTS	⚠	CAST METAL DRUCKGUSS
2	1	REC. HOUSING BUCHSENGEHAUSE	BLACK SCHWARZ	PCT-GF
1	1	SHELL SCHIRMBLECH	SEE TABLE SIEHE TABELLE	STEEL STAHL

POS.	QTY.	DESCRIPTION BENENNUNG	SURFACE OBERFLAECHE COLOUR/FARBE	MATERIAL
6	2	THREAD STUD GEWINDEBOLZEN	NICKEL	STEEL STAHL
5	13	REC. CONTACT, SMD, LONG BUCHSENKONTAKT, SMD, LANG	⚠	CuMg
4	12	REC. CONTACT, SMD, SHORT BUCHSENKONTAKT, SMD, KURZ	⚠	CuMg
3	2	BRACKET, SMD, LEFT/RIGHT WINKELSTUECK, SMD, LINKS/RECHTS	⚠	CAST METAL DRUCKGUSS
2	1	REC. HOUSING BUCHSENGEHAUSE	BLACK SCHWARZ	PCT-GF
1	1	SHELL SCHIRMBLECH	SEE TABLE SIEHE TABELLE	STEEL STAHL

REV.	DATE	BY	CHK	DESCRIPTION
1	30NOV2004	M.SCHAARSCHEIDT	M.SCHAARSCHEIDT	LSCHLUESSLER
2	01DEC2004			FEELDMEIER

REV.	DATE	BY	CHK	DESCRIPTION
1	30NOV2004	M.SCHAARSCHEIDT	M.SCHAARSCHEIDT	LSCHLUESSLER
2	01DEC2004			FEELDMEIER

REV.	DATE	BY	CHK	DESCRIPTION
1	30NOV2004	M.SCHAARSCHEIDT	M.SCHAARSCHEIDT	LSCHLUESSLER
2	01DEC2004			FEELDMEIER

REV.	DATE	BY	CHK	DESCRIPTION
1	30NOV2004	M.SCHAARSCHEIDT	M.SCHAARSCHEIDT	LSCHLUESSLER
2	01DEC2004			FEELDMEIER

REV.	DATE	BY	CHK	DESCRIPTION
1	30NOV2004	M.SCHAARSCHEIDT	M.SCHAARSCHEIDT	LSCHLUESSLER
2	01DEC2004			FEELDMEIER

REV.	DATE	BY	CHK	DESCRIPTION
1	30NOV2004	M.SCHAARSCHEIDT	M.SCHAARSCHEIDT	LSCHLUESSLER
2	01DEC2004			FEELDMEIER

REV.	DATE	BY	CHK	DESCRIPTION
1	30NOV2004	M.SCHAARSCHEIDT	M.SCHAARSCHEIDT	LSCHLUESSLER
2	01DEC2004			FEELDMEIER

REV.	DATE	BY	CHK	DESCRIPTION
1	30NOV2004	M.SCHAARSCHEIDT	M.SCHAARSCHEIDT	LSCHLUESSLER
2	01DEC2004			FEELDMEIER

REV.	DATE	BY	CHK	DESCRIPTION
1	30NOV2004	M.SCHAARSCHEIDT	M.SCHAARSCHEIDT	LSCHLUESSLER
2	01DEC2004			FEELDMEIER

REV.	DATE	BY	CHK	DESCRIPTION
1	30NOV2004	M.SCHAARSCHEIDT	M.SCHAARSCHEIDT	LSCHLUESSLER
2	01DEC2004			FEELDMEIER

REV.	DATE	BY	CHK	DESCRIPTION
1	30NOV2004	M.SCHAARSCHEIDT	M.SCHAARSCHEIDT	LSCHLUESSLER
2	01DEC2004			FEELDMEIER

REV.	DATE	BY	CHK	DESCRIPTION
1	30NOV2004	M.SCHAARSCHEIDT	M.SCHAARSCHEIDT	LSCHLUESSLER
2	01DEC2004			FEELDMEIER

REV.	DATE	BY	CHK	DESCRIPTION
1	30NOV2004	M.SCHAARSCHEIDT	M.SCHAARSCHEIDT	LSCHLUESSLER
2	01DEC2004			FEELDMEIER

REV.	DATE	BY	CHK	DESCRIPTION
1	30NOV2004	M.SCHAARSCHEIDT	M.SCHAARSCHEIDT	LSCHLUESSLER
2	01DEC2004			FEELDMEIER

REV.	DATE	BY	CHK	DESCRIPTION
1	30NOV2004	M.SCHAARSCHEIDT	M.SCHAARSCHEIDT	LSCHLUESSLER
2	01DEC2004			FEELDMEIER

REV.	DATE	BY	CHK	DESCRIPTION
1	30NOV2004	M.SCHAARSCHEIDT	M.SCHAARSCHEIDT	LSCHLUESSLER
2	01DEC2004			FEELDMEIER

REV.	DATE	BY	CHK	DESCRIPTION
1	30NOV2004	M.SCHAARSCHEIDT	M.SCHAARSCHEIDT	LSCHLUESSLER
2	01DEC2004			FEELDMEIER

REV.	DATE	BY	CHK	DESCRIPTION
1	30NOV2004	M.SCHAARSCHEIDT	M.SCHAARSCHEIDT	LSCHLUESSLER
2	01DEC2004			FEELDMEIER

REV.	DATE	BY	CHK	DESCRIPTION
1	30NOV2004	M.SCHAARSCHEIDT	M.SCHAARSCHEIDT	LSCHLUESSLER
2	01DEC2004			FEELDMEIER

REV.	DATE	BY	CHK	DESCRIPTION
1	30NOV2004	M.SCHAARSCHEIDT	M.SCHAARSCHEIDT	LSCHLUESSLER
2	01DEC2004			FEELDMEIER

REV.	DATE	BY	CHK	DESCRIPTION
1	30NOV2004	M.SCHAARSCHEIDT	M.SCHAARSCHEIDT	LSCHLUESSLER
2	01DEC2004			FEELDMEIER

REV.	DATE	BY	CHK	DESCRIPTION
1	30NOV2004	M.SCHAARSCHEIDT	M.SCHAARSCHEIDT	LSCHLUESSLER
2	01DEC2004			FEELDMEIER

REV.	DATE	BY	CHK	DESCRIPTION
1	30NOV2004	M.SCHAARSCHEIDT	M.SCHAARSCHEIDT	LSCHLUESSLER
2	01DEC2004			FEELDMEIER

REV.	DATE	BY	CHK	DESCRIPTION
1	30NOV2004	M.SCHAARSCHEIDT	M.SCHAARSCHEIDT	LSCHLUESSLER
2	01DEC2004			FEELDMEIER

REV.	DATE	BY	CHK	DESCRIPTION
1	30NOV2004	M.SCHAARSCHEIDT	M.SCHAARSCHEIDT	LSCHLUESSLER
2	01DEC2004			FEELDMEIER

REV.	DATE	BY	CHK	DESCRIPTION
1	30NOV2004	M.SCHAARSCHEIDT	M.SCHAARSCHEIDT	LSCHLUESSLER
2	01DEC2004			FEELDMEIER

REV.	DATE	BY	CHK	DESCRIPTION
1	30NOV2004	M.SCHAARSCHEIDT	M.SCHAARSCHEIDT	LSCHLUESSLER
2	01DEC2004			FEELDMEIER

REV.	DATE	BY	CHK	DESCRIPTION
1	30NOV2004	M.SCHAARSCHEIDT	M.SCHAARSCHEIDT	LSCHLUESSLER
2	01DEC2004			FEELDMEIER

REV.	DATE	BY	CHK	DESCRIPTION
1	30NOV2004	M.SCHAARSCHEIDT	M.SCHAARSCHEIDT	LSCHLUESSLER
2	01DEC2004			FEELDMEIER

REV.	DATE	BY	CHK	DESCRIPTION
1	30NOV2004	M.SCHAARSCHEIDT	M.SCHAARSCHEIDT	LSCHLUESSLER
2	01DEC2004			FEELDMEIER

REV.	DATE	BY	CHK	DESCRIPTION
1	30NOV2004	M.SCHAARSCHEIDT	M.SCHAARSCHEIDT	LSCHLUESSLER
2	01DEC2004			FEELDMEIER

REV.	DATE	BY	CHK	DESCRIPTION
1	30NOV2004	M.SCHAARSCHEIDT	M.SCHAARSCHEIDT	LSCHLUESSLER
2	01DEC2004			FEELDMEIER

REV.	DATE	BY	CHK	DESCRIPTION
1	30NOV2004	M.SCHAARSCHEIDT	M.SCHAARSCHEIDT	LSCHLUESSLER
2	01DEC2004			FEELDMEIER

REV.	DATE	BY	CHK	DESCRIPTION
1	30NOV2004	M.SCHAARSCHEIDT	M.SCHAARSCHEIDT	LSCHLUESSLER
2	01DEC2004			FEELDMEIER

REV.	DATE	BY	CHK	DESCRIPTION
1	30NOV2004	M.SCHAARSCHEIDT	M.SCHAARSCHEIDT	LSCHLUESSLER
2	01DEC2004			FEELDMEIER

REV.	DATE	BY	CHK	DESCRIPTION
1	30NOV2004	M.SCHAARSCHEIDT	M.SCHAARSCHEIDT	LSCHLUESSLER
2	01DEC2004			FEELDMEIER

REV.	DATE	BY	CHK	DESCRIPTION
1	30NOV2004	M.SCHAARSCHEIDT	M.SCHAARSCHEIDT	LSCHLUESSLER
2	01DEC2004			FEELDMEIER

REV.	DATE	BY	CHK	DESCRIPTION
1	30NOV2004	M.SCHAARSCHEIDT	M.SCHAARSCHEIDT	LSCHLUESSLER
2	01DEC2004			FEELDMEIER

REV.	DATE	BY	CHK	DESCRIPTION
1	30NOV2004	M.SCHAARSCHEIDT	M.SCHAARSCHEIDT	LSCHLUESSLER
2	01DEC2004			FEELDMEIER

REV.	DATE	BY	CHK	DESCRIPTION
1	30NOV2004	M.SCHAARSCHEIDT	M.SCHAARSCHEIDT	LSCHLUESSLER
2	01DEC2004			FEELDMEIER

REV.	DATE	BY	CHK	DESCRIPTION
1	30NOV2004	M.SCHAARSCHEIDT	M.SCHAARSCHEIDT	LSCHLUESSLER
2	01DEC2004			FEELDMEIER

REV.	DATE	BY	CHK	DESCRIPTION
1	30NOV2004	M.SCHAARSCHEIDT	M.SCHAARSCHEIDT	LSCHLUESSLER
2	01DEC2004			FEELDMEIER

REV.	DATE	BY	CHK	DESCRIPTION
1	30NOV2004	M.SCHAARSCHEIDT	M.SCHAARSCHEIDT	LSCHLUESSLER
2	01DEC2004			FEELDMEIER

REV.	DATE	BY	CHK	DESCRIPTION
1	30NOV2004	M.SCHAARSCHEIDT	M.SCHAARSCHEIDT	LSCHLUESSLER
2	01DEC2004			FEELDMEIER

REV.	DATE	BY	CHK	DESCRIPTION
1	30NOV2004	M.SCHAARSCHEIDT	M.SCHAARSCHEIDT	LSCHLUESSLER
2	01DEC2004			FEELDMEIER

REV.	DATE	BY	CHK	DESCRIPTION
1	30NOV2004	M.SCHAARSCHEIDT	M.SCHAARSCHEIDT	LSCHLUESSLER
2	01DEC2004			FEELDMEIER

REV.	DATE	BY	CHK	DESCRIPTION
1	30NOV2004	M.SCHAARSCHEIDT	M.SCHAARSCHEIDT	LSCHLUESSLER
2	01DEC2004			FEELDMEIER

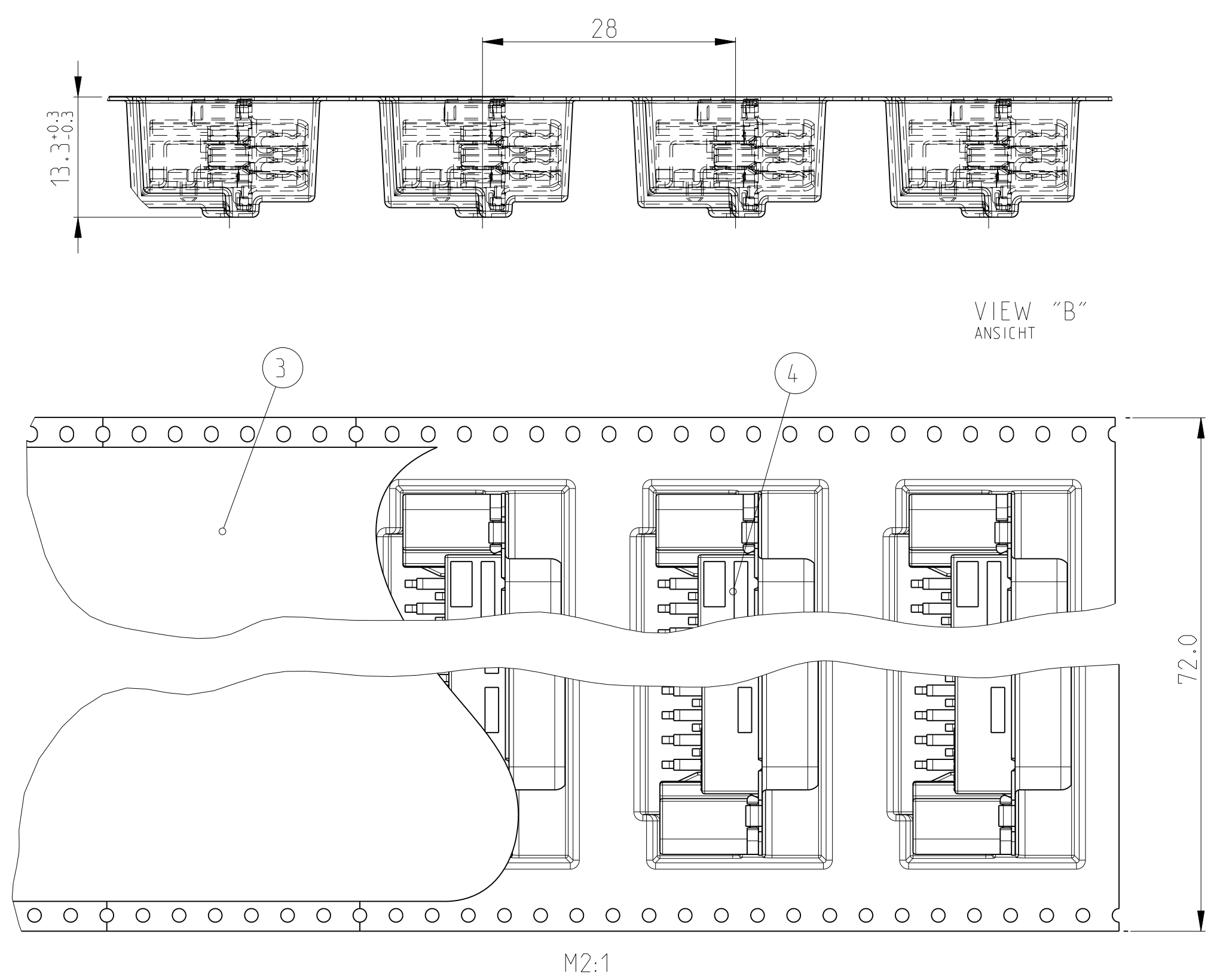
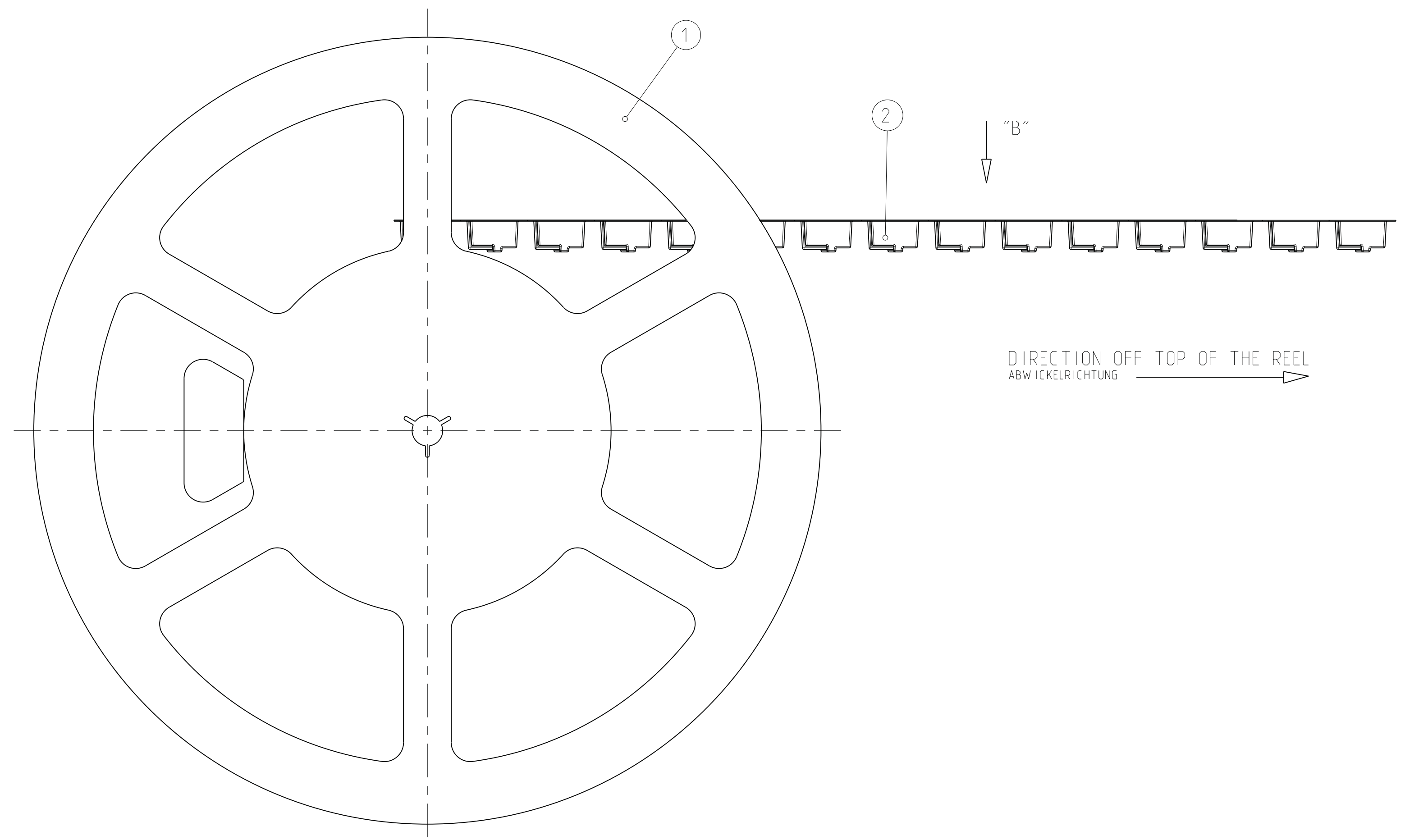
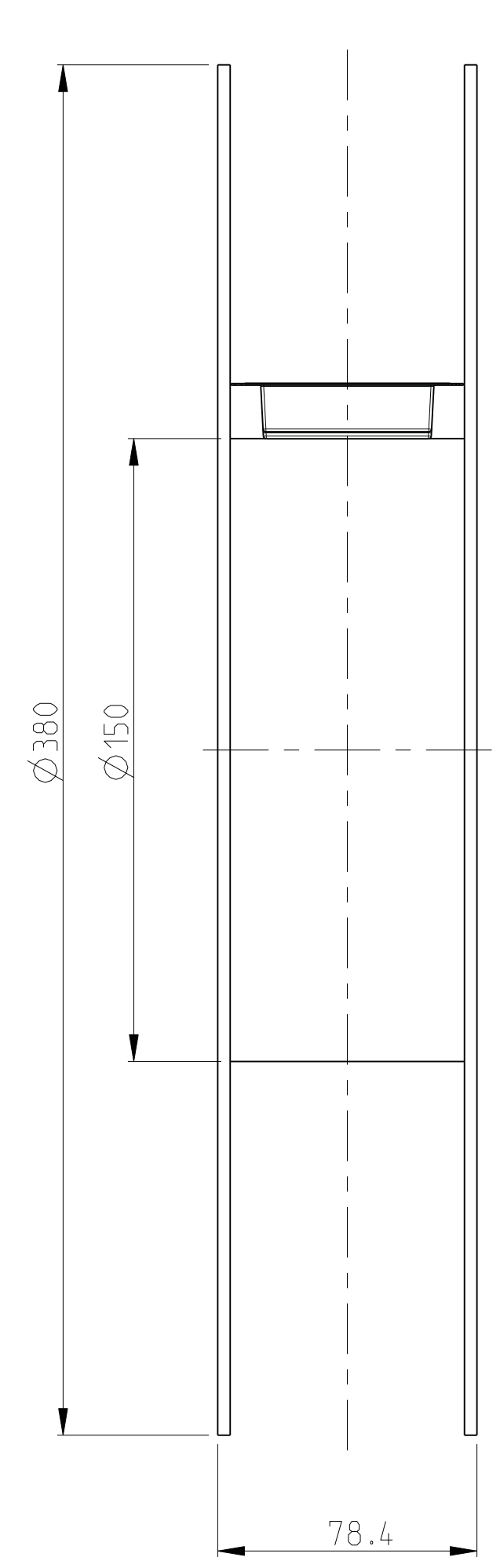
REV.	DATE	BY	CHK	DESCRIPTION
1	30NOV2004	M.SCHAARSCHEIDT	M.SCHAARSCHEIDT	LSCHLUESSLER
2	01DEC2004			FEELDMEIER

REV.	DATE	BY	CHK	DESCRIPTION
1	30NOV2004	M.SCHAARSCHEIDT	M.SCHAARSCHEIDT	LSCHLUESSLER
2	01DEC2004			FEELDMEIER

REV.	DATE	BY	CHK	DESCRIPTION
1	30NOV2004	M.SCHAARSCHEIDT	M.SCHAARSCHEIDT	LSCHLUESSLER
2	01DEC2004			FEELDMEIER

REV.	DATE	BY
------	------	----

LOC	DIST	REV	DATE	BY	APPV
A1	-	-	-	-	-



REMARKS:

- COVER TAPE WITH BLISTER BELT WELDED OR PASTED
- BLISTER BELT, COVER AND TAPE ACC. TO DIN/IEC 286 PART 3
- FIRST AND LAST RUNNING OF THE CARRIER TAPE ACC. TO DIN/IEC 286 PART 3
- 6.4m BLISTERBELT AND 6.5m COVER TAPE, 200 LOOSE PIECE PARTS

BEMERKUNGEN:

- ABDECKBAND MIT BLISTERGURT VERSCHWEISST ODER VERKLEBT
- BLISTERGURT, ABDECKBAND UND REEL NACH DIN/IEC 286 TEIL 3
- VOR- UND NACHLAUF AM BLISTERGURT NACH DIN/IEC 286 TEIL 3
- 6.4m BLISTERGURT UND 6.5m ABDECKBAND, 200 EINZELTEILE

TE ORDER NO. BESTELL-NR.	POS.	QUANTITY						DESCRIPTION BENENNUNG	SURFACE OBERFLAECHE COLOUR/FARBE	MATERIAL
		4-1740198-2	3-1740198-2	2-1740198-2	1-1740198-2	0-1740198-2	OBSOLETE			
1740198	4	200	-	-	-	-	SUB-D REC. HEADER, 25 POS., STUD M3 SUB-D BUCHSENSTECKER, 25 POL., BOLZEN M3	-	-	
	4	-	200	-	-	-	SUB-D REC. HEADER, 25 POS., STUD UNC4-40 SUB-D BUCHSENSTECKER, 25 POL., BOLZEN UNC4-40	-	-	
	4	-	-	200	-	-	SUB-D REC. HEADER, 25 POS., M3 SUB-D BUCHSENSTECKER, 25 POL., M3	-	-	
	4	-	-	-	200	-	SUB-D REC. HEADER, 25 POS., UNC4-40 SUB-D BUCHSENSTECKER, 25 POL., UNC4-40	-	-	
	4	-	-	-	-	200	SUB-D REC. HEADER, 25 POS. SUB-D BUCHSENSTECKER, 25 POL.	-	-	
	3	6.5m	6.5m	6.5m	6.5m	6.5m	COVER BELT FOR BLISTER BELT ABDECKBAND FUER BLISTERGURT	TRANSPARENT	PET	
	2	6.4m	6.4m	6.4m	6.4m	6.4m	BLISTER BELT BLISTERGURT	GREY/BLACK GRAU/SCHWARZ	PS	
1	1	1	1	1	1	REEL-PACKING MEHRWEGSPULE	GREY GRAU	PS		

DIMENSIONS: mm 	TOLERANCES UNLESS OTHERWISE SPECIFIED: 0 PLC # 1 PLC # 2 PLC # 3 PLC # 4 PLC # ANGLES #°	FINISH SEE TABLE S-TABELLE	DWG: L. SCHLUETER 30NOV2004 CHK: M. SCHAARSCHMIDT 01DEC2004 APVD: G. FELDMEIER 01DEC2004 PRODUCT SPEC: 108-94000 APPLICATION SPEC: - WEIGHT: - CUSTOMER DRAWING: -	Tyco Electronics AMP GmbH 64625 Bensheim (Germany) NAME: HDP20 REC. HEADER, SMT, 25 POS. HDP20 BUCHSENSTECKER, SMT, 25 POL. EUROSTYLE SIZE: A1 CAGE CODE: 00779 DRAWING NO: 1740198 SCALE: 5:1 SHEET: 2 OF 2 REV: E
-----------------------	--	-------------------------------	--	--

X-ON Electronics

Largest Supplier of Electrical and Electronic Components

Click to view similar products for [D-Sub Standard Connectors](#) category:

Click to view products by [TE Connectivity](#) manufacturer:

Other Similar products are found below :

[DCM37S732N](#) [DAM15P500](#) [DEV09S364GTLF](#) [DEM09P032N](#) [DDM50P732N](#) [DAM15S332N](#) [173109-2218](#) [173109-2466](#) [173109-2436](#)
[173109-2435](#) [56F706-005-LI](#) [56F711-015](#) [015-0341-000](#) [015-0372-008](#) [015-8544-011](#) [017041-0005](#) [020419-0104](#) [012-0515-000](#) [012-9507-](#)
[034](#) [012-9507-114](#) [012-9534-001](#) [020745-0008](#) [609-25P](#) [M24308/2-23Z](#) [M243082310F](#) [M243082410F](#) [M243082411F](#) [M24308/4-21](#)
[CT1A18-11PSA206](#) [CT1N36-5SC](#) [CT2-16S-17PS](#) [CT2-20-15PCAU](#) [CT2-24-12PS](#) [CT2-24-28PSF127A206](#) [CT2-32-9PC](#) [CT6F9767-14-4-](#)
[14S-5PC](#) [CT6FA10SL-4PS](#) [CT7-18-10SC](#) [CT7-18-10SCAU](#) [CT7-18-12SCAU](#) [CT7-18-1PC](#) [CT7-18-1PCAU](#) [CT7-18-21SCAU](#) [M83513/01-](#)
[FC](#) [M83723/76W24619 L/C](#) [M85049/48-3-2F](#) [69001-865](#) [6STD09PCM99B70X](#) [6STD09SCM99B30X](#) [6STD09SCT99S40X](#)