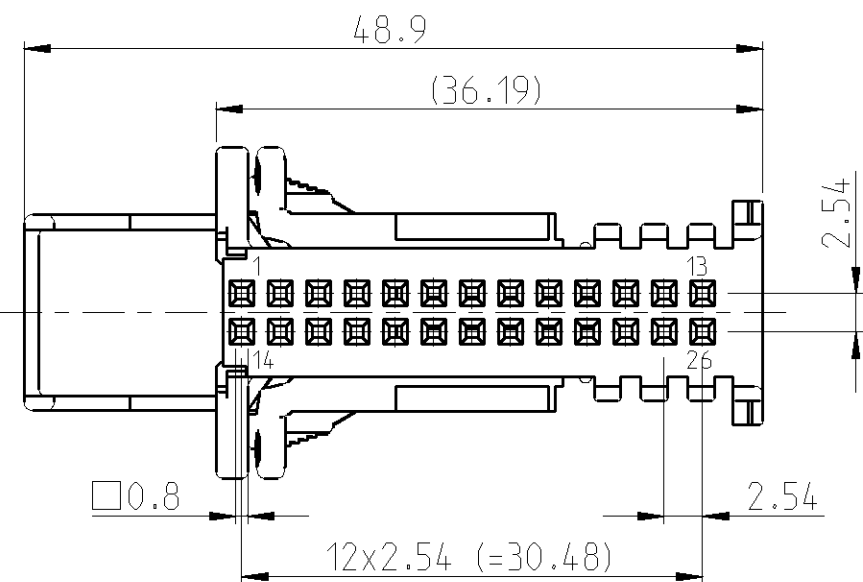


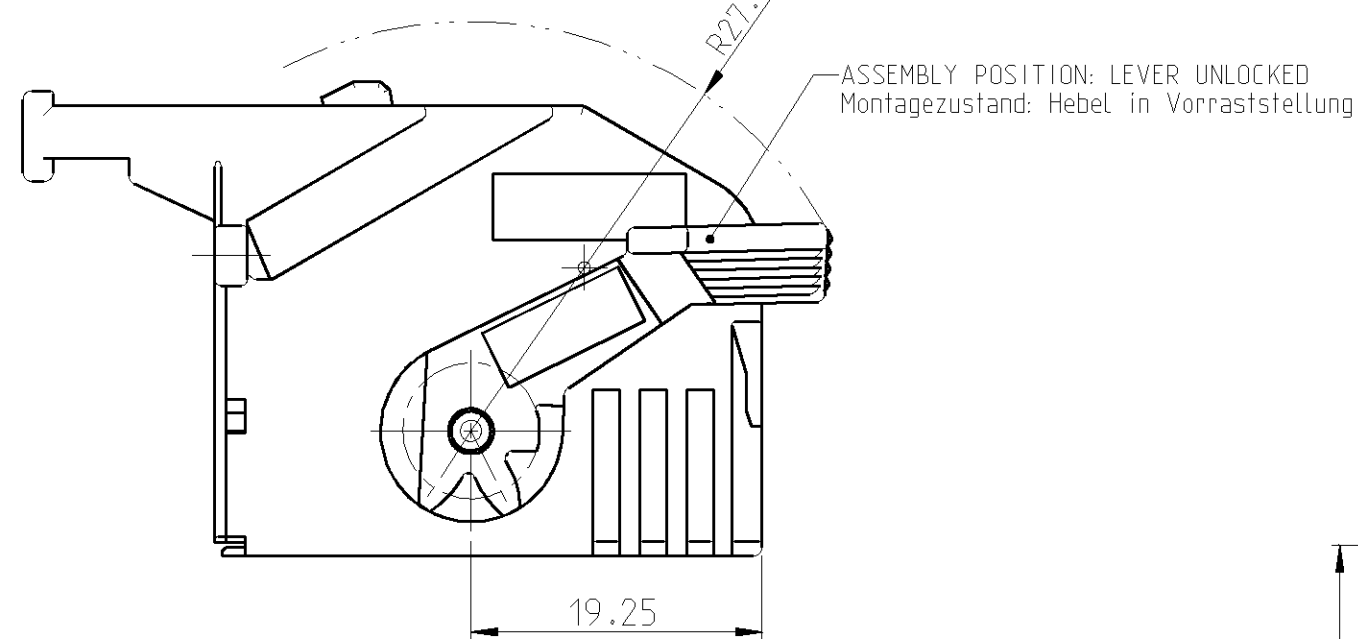
THIS DRAWING IS UNPUBLISHED. RELEASED FOR PUBLICATION 2009  
 © COPYRIGHT 2009 BY TYCO ELECTRONICS CORPORATION. ALL INTERNATIONAL RIGHTS RESERVED.

REVISONS		DATE	DWN	APVD
PART REV.	P	LTR	DESCRIPTION	
02	02		WO 95/3708	07MAR1995 rvh rvh
03	03		WO 97/3778	13MAY1997 rvh rvh
03	03a		ueberarbeitet	24OCT2000 Abr Zitz
03	A		New drawing created.	12AUG2010 Kirsch Zitz

DESING A  
Ausfuehrung A

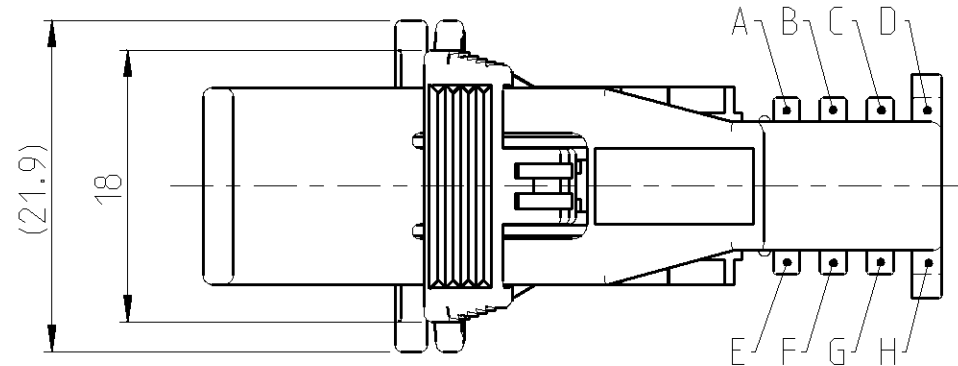
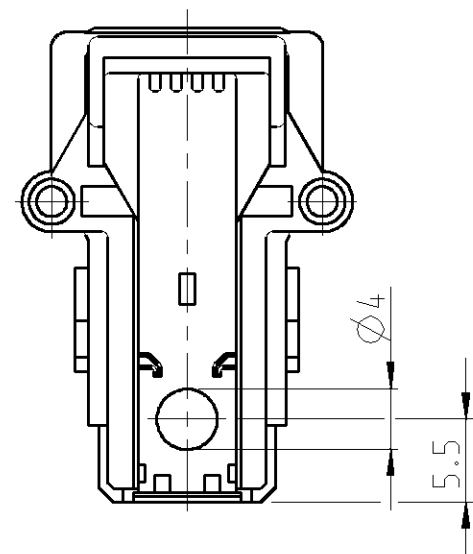
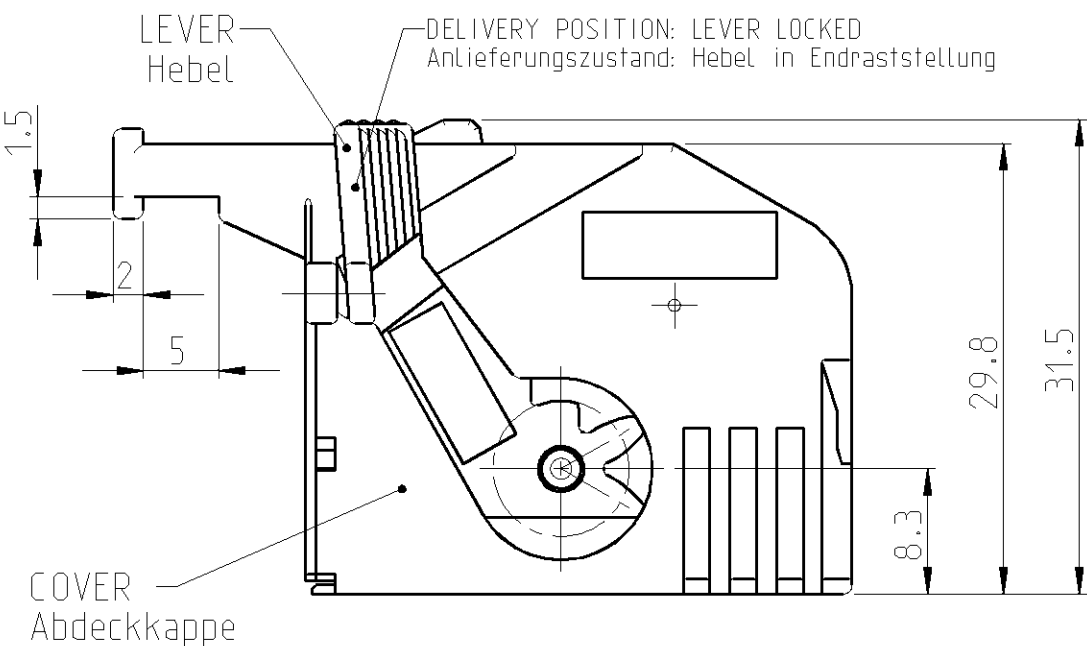
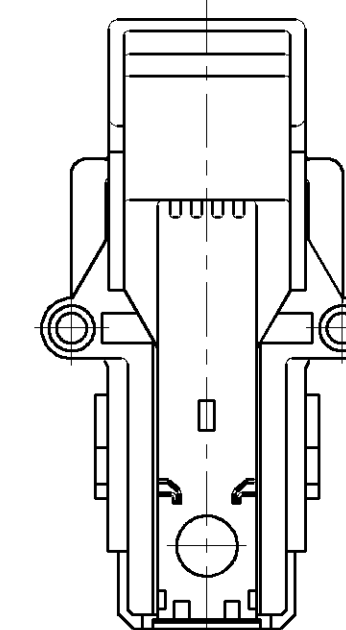
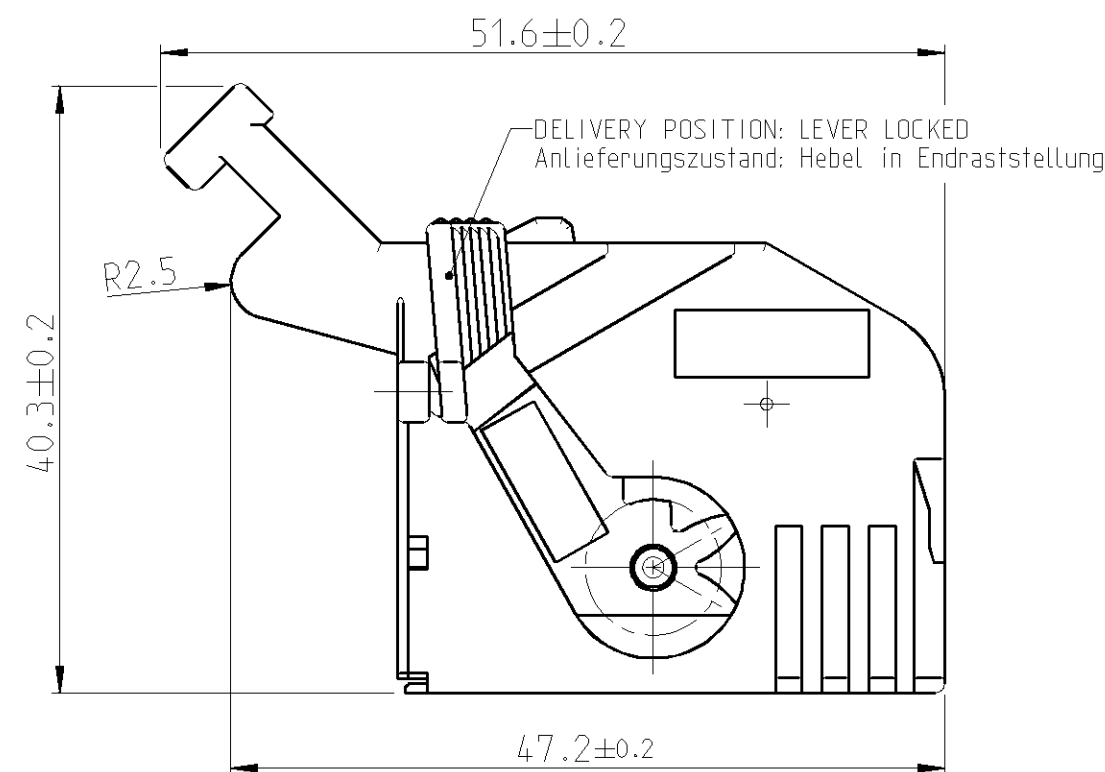
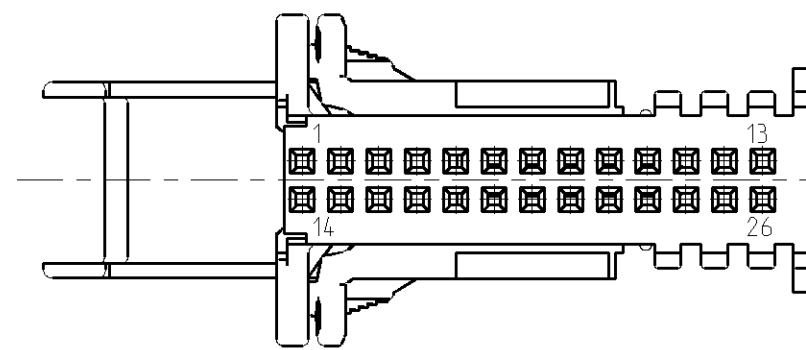


ASSEMBLY POSITION  
Montagezustand



DESIGN B  
Ausfuehrung B

(MISSING DIMENSIONS SEE DESIGN A)  
(Fehlende Masse siehe Ausfuehrung A)



NOTES:  
Bemerkungen:

- DRAWN WITH ALL CODINGS  
gezeichnet mit allen Kodierungen
  - PART-NO. ACCORDING TO LETTERING DIN 1451  
Teile-Nr. nach Mittelschrift DIN 1451
  - SUITABLE TO PIN STRIP:  
V23540-M1126-B5\*\* (PN 4-1393375-3 TO -9 AND PN 5-1393375-0)  
V23540-M1626-D5\*\* (PN 5-1393375-3/\*-5/\*-7/\*-8 AND 6-1393375-0/\*-2 TO -5)  
V23540-M1626-F5\*\* (PN 6-1393375-7/\*-8 AND 7-1393375-0/\*-1/\*-3/\*-5 TO \*-9)  
V23540-M1026-Y1 (PN 4-1393476-3 / 5-1393476-0/\*-1)
  - SUITABLE SOCKET HOUSING:  
V23540-M1026-Q50\* (PN 0-1393374-2)
- 5 COVER: PBT-GF30; COLOUR: SEE TABLE  
Kappe: PBT-GF30; Farbe: siehe Tabelle  
LEVER: PBT-GF20; COLOUR: TURQUOISE BLUE  
Hebel: PBT-GF20; Farbe: fuerkisblau

REPLACEMENT FOR SE-DRAWING  
V23540-M1026-S500-\*27  
Ersatz fuer SE-Zeichnung  
V23540-M1026-S500-\*27

V23540-M1026-S509	-	V23540-M1026-Y209	-	D - E	TURQUOISE BLUE
V23540-M1026-S508	-	V23540-M1026-Y208	-	A - H	ORANGE
V23540-M1026-S507	-	V23540-M1026-Y207	-	D - F	LILAC
V23540-M1026-S506	-	V23540-M1026-Y206	-	B - H	GREY
V23540-M1026-S505	-	V23540-M1026-Y205	2-1393434-2	D - G	BROWN
V23540-M1026-S504	1-1393434-6	V23540-M1026-Y204	2-1393434-1	C - H	GREEN
V23540-M1026-S503	1-1393434-5	V23540-M1026-Y203	2-1393434-0	A - E	YELLOW
V23540-M1026-S502	1-1393434-4	V23540-M1026-Y202	1-1393434-9	B - F	SIGNAL BLUE
V23540-M1026-S501	1-1393434-3	V23540-M1026-Y201	1-1393434-8	C - G	BEIGE
V23540-M1026-S500	1-1393434-2	V23540-M1026-Y200	1-1393434-7	D - H	BLACK
SE-ORDER-NO.	TE-ORDER-NO.	SE-ORDER-NO.	TE-ORDER-NO.	GEOMETRIC	COLOUR
DESIGN A WITH CABLE OUTLET 90°		DESIGN B WITH CABLE OUTLET 45°		CODING	

ISO 8015  
DIN 16901-130  
DIN ISO 2768-mH

DIMENSIONS:		TOLERANCES UNLESS OTHERWISE SPECIFIED:		DWN		Tyco Electronics	
mm		0 PLC	±	16SEP1992	Tyco Electronics AMP GmbH		
		1 PLC	±	16SEP1992	64625 Bensheim (Germany)		
		2 PLC	±	16SEP1992	NAME		
		3 PLC	±	16SEP1992	26POS. COVER WITH LEVER		
		4 PLC	±	16SEP1992	26pol. Abdeckkappe mit Hebel		
		ANGLES	±	16SEP1992	SIZE		
		FINISH	±	16SEP1992	CAGE CODE		
				16SEP1992	DRAWING NO		
				16SEP1992	RESTRICTED TO		
				16SEP1992	WEIGHT		
				16SEP1992	SCALE		
				16SEP1992	SHEET		
				16SEP1992	REV		
				16SEP1992	CUSTOMER DRAWING		