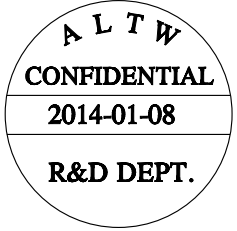
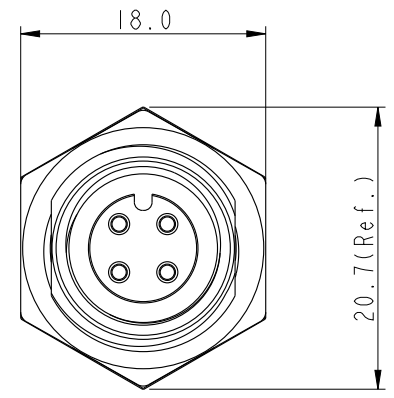
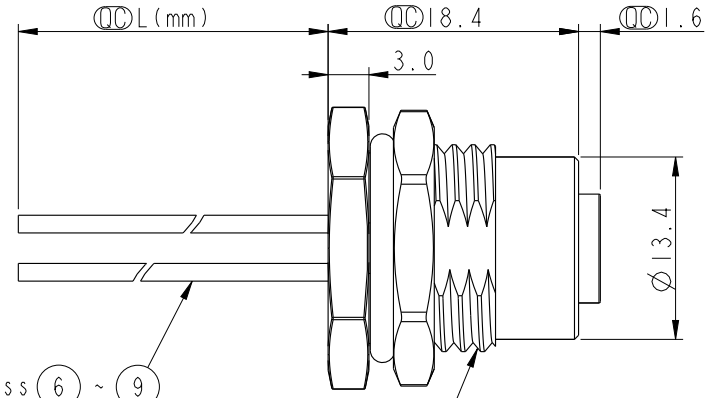


THIS DOCUMENT IS SUBJECT TO CHANGE WITHOUT NOTICE. IT IS CONFIDENTIAL AND A PROPERTY OF Amphenol LTW. DISCLOSURE TO THIRD PARTY HAS TO BE AUTHORIZED BY Amphenol LTW.

REV.	ECN NO.	DATE	SIGN	DESCRIPTION
B	LE31410200~02	2014-01-08	Tony_leng	Change Ball No. & Wire Length

12-04PFFS-SF8BXX $\triangle B$

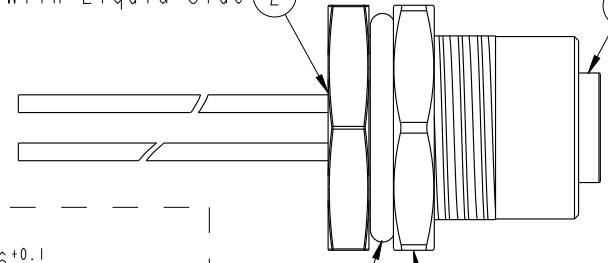
XX: 150~1500mm
 15: 150mm
 30: 300mm
 50: 500mm
 A0: 1000mm
 A5: 1500mm
 Wire Length(L): 150~1500mm



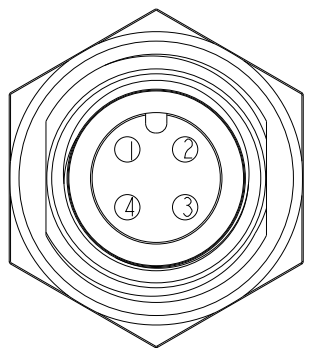
Wire Harness ⑥ ~ ⑨

With Liquid Glue ②

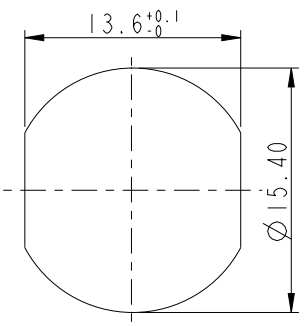
③ O-Ring1
 ① 12-04PFFS-SF8B00



O-Ring2 ④ ⑤ Screw Nut



Pin Assignment Front View



Recommended Panel Cut-Out

4	Black	黑
3	Blue	藍
2	White	白
1	Brown	棕
Conn.	Wire Color	Pin Out

- Note:
- * $\text{\textcircled{C}}$ Important Dimension.
 - * Waterproof Rate: IP68.
IP68: 1M Depth Of Water In 24hours.
 - * Housing: Nylon+GF, Black.
 - * Female Pin: Copper Alloy, Gold Plated.
 - * Shield: Zinc Alloy, Nickel Plated.
 - * Nut: Zinc Alloy, Nickel Plated.
 - * O-Ring1: Viton, Green
 - * O-Ring2: EPDM, Black
 - * Wire Harness: UL1061 22AWG
 - * For Panel Thickness Max 4.5mm.
 - * Nut Torque: 4-6 Kgf.cm
 - * Wire harness Tolerance: 150~300 \pm 15mm
301~1000 \pm 20mm
Over 1000 \pm 40mm

UNIT: mm

TOLERANCE	
.X	± 0.25
.XX	± 0.1
.XXX	± 0.05
ANGLES	$\pm 1^\circ$

TITLE Panel With Wire Harness			
SCALE 1:1	SIZE A4	SHEET 1 OF 1	
REV. B	WC-REV. A.6	$\text{\textcircled{C}}$: Inspection item	

Amphenol LTW
 安費諾亮泰企業股份有限公司

ITEM NO.	DRAWN BY Tony_leng	DATE 2014-01-08
DWG NO. 12-04PFFS-SF8BXX	CHECKED BY Jimmy	DATE 2014-01-08
CUSTOMER ALTW	APPROVED BY Jerry	DATE 2014-01-08

X-ON Electronics

Largest Supplier of Electrical and Electronic Components

Click to view similar products for [Standard Circular Connector](#) category:

Click to view products by [Amphenol](#) manufacturer:

Other Similar products are found below :

[C015](#) [10F006](#) [001](#) [1](#) [5M2530B10P](#) [600259N006](#) [600273N007](#) [600432N009](#) [6280-2PG-519](#) [6280-3PG-311](#) [6280-3SG-311](#) [6280-7SG-3DC](#)
[6280-7SG-522](#) [6282-5PG-311](#) [6282-6PG-519](#) [6282-8SG-311](#) [6283-11](#) [6283-15](#) [6290](#) [6382-2PG-311](#) [6382-2PG-3DC](#) [6382-2SG-321](#) [6382-2SG-3DC](#) [6382-4SG-516](#) [67-03E20-37P](#) [681-PMG](#) [CXS3102A14S2P](#) [CXS3102A181S](#) [CXS3106A14S6S](#) [MB12P-1](#) [MB12R-6](#) [7251-2PG-300](#) [7251-2SG-300](#) [7251-4PG-300](#) [7251-4SG-300](#) [7251-5PG-300](#) [7251-5SG-300](#) [7251-6SG-300](#) [7251-7PG-300](#) [7251-8PG-300](#) [7271-6SG-300](#) [7282-3PG-300-CH3](#) [73000005663](#) [75-190216-08S](#) [75-190218-10P](#) [75-474118-10P](#) [75-474618-01S](#) [75-474620-07P](#) [799539-000](#) [MI8-SE](#) [80-190222-18P](#) [805-005-07NF11-19PC](#) [805-005-07NF15-7PA](#)