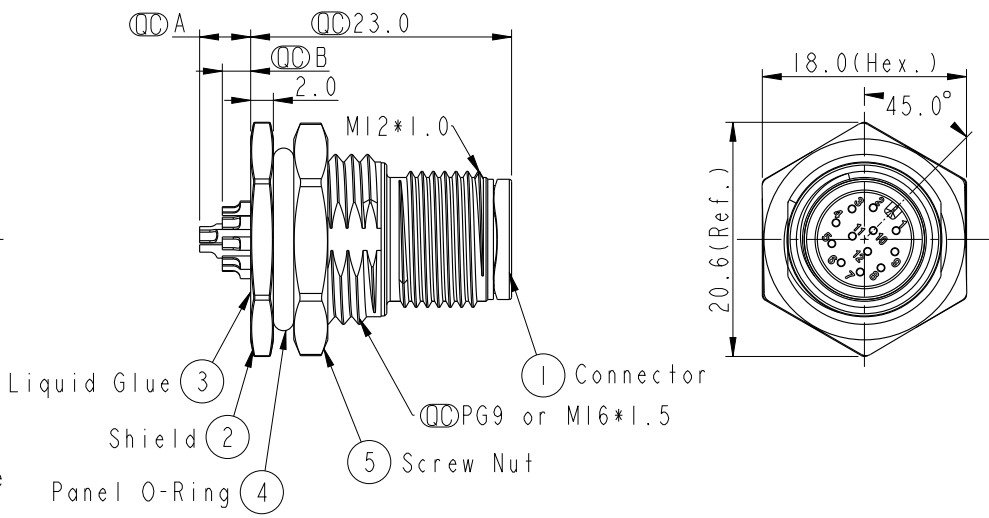
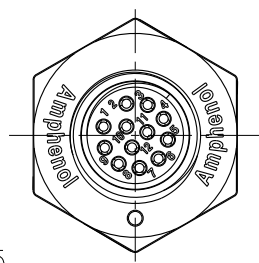
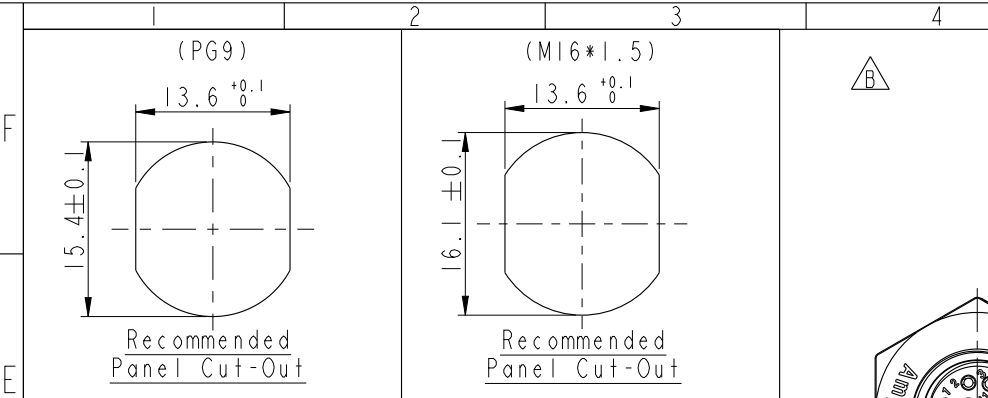


THIS DOCUMENT IS SUBJECT TO CHANGE WITHOUT NOTICE. IT IS CONFIDENTIAL AND A PROPERTY OF Amphenol LTW. DISCLOSURE TO THIRD PARTY HAS TO BE AUTHORIZED BY Amphenol LTW.

REV.	ECN NO.	DATE	SIGN	DESCRIPTION
B	LEN1570179~186 LE31570175~178	2015/07/18	Yulong_wang	Change to Share Drawing.
C	LEN1680931~942	2016/08/08	Yulong_wang	Add 6Pin & IP69K.



M I2A - XX P M M S - S F 8 XXX

12A: A-Code

03: 3Pin
04: 4Pin
05: 5Pin
06: 6Pin
08: 8Pin
10: 10Pin
12: 12Pin

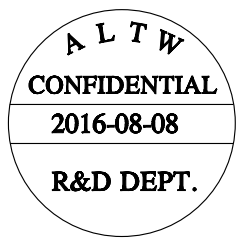
P: Panel (板端)
M: Male Connector (公座)

001: PG9
002: M16*1.5

8: IP68/69K (防水等級68/69K)

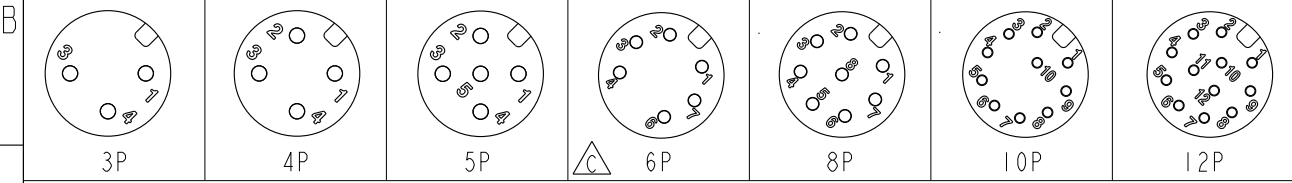
F: Front Fasten (前鎖式/Enclosure Rear Mount)
S: Screw (螺紋式)
S: Solder Type (焊接式)
M: Male Pin (公Pin)

M I2A-03PMMS-SF8XXX	2.5
M I2A-04PMMS-SF8XXX	2.5
M I2A-05PMMS-SF8XXX	2.5
M I2A-06PMMS-SF8XXX	2.5
M I2A-08PMMS-SF8XXX	2.5
M I2A-10PMMS-SF8XXX	4.5 2.5
M I2A-12PMMS-SF8XXX	4.5 2.5
Item No.	A B
	Pin伸出長度



Note:

- * \varnothing Important Dimension.
- * \triangle Waterproof Rate: IP68, IP69K.
- * Housing: Nylon+GF, Black.
- * Male Pin: Copper Alloy, Gold Plated.
- * Shield: Zinc Alloy, Nickel Plated.
- * Screw Nut: Zinc Alloy, Nickel Plated.
- * Panel O-Ring: Viton, Black.
- * Rated Voltage: 3 & 4Pin 250V dc. or ac.
5Pin 60V dc. or ac.
6~12Pin 30V dc. or ac.
- * Rated Current: 3~5Pin 4A
6~8Pin 2A
10~12Pin 1.5A
- * Operating Temperature: -40~105°C
- * For Panel Thickness Max 4.5mm.
- * Recommended Nut Torque: 4-6 Kgf.cm.



Pin Assignment Front View

UNIT: mm			TITLE M12 A-Code Male Conn. Solder Front Type
TOLERANCE .X ±0.25 .XX ±0.1 .XXX ±0.05 ANGLES ±1°	SCALE 3:2	SIZE A4	SHEET 1 OF 1
REV. C	WC-REV. A.6	\varnothing : Inspection item	

Amphenol LTW
安費諾亮泰企業股份有限公司

ITEM NO.	DRAWN BY Yulong_wang	DATE 2016-08-08
DWG NO. M12A-XXPMMS-SF8XXX	CHECKED BY Jinhai	DATE 2016-08-08
CUSTOMER ALTW	APPROVED BY Jerry	DATE 2016-08-08

X-ON Electronics

Largest Supplier of Electrical and Electronic Components

Click to view similar products for [Sensor Cables / Actuator Cables](#) category:

Click to view products by [Amphenol](#) manufacturer:

Other Similar products are found below :

[1300070444](#) [43-10984](#) [M83513/19-F01CP](#) [704000D02F120](#) [MDM15SH001K](#) [MDM25PH003BF222](#) [802027107404-1](#) [885030A09M010](#)
[885030A09M020](#) [1200650174](#) [1200651332](#) [1200651713](#) [1200660171](#) [1200660208](#) [1200660343](#) [1200660804](#) [1200660845](#) [1200660926](#)
[1200660977](#) [1200661173](#) [1200661354](#) [120066-1712](#) [1200720053](#) [1200720099](#) [1200720153](#) [1200720172](#) [1200720217](#) [1200720226](#)
[1200720251](#) [1200720285](#) [1200720296](#) [1200720404](#) [1200730148](#) [1200730378](#) [1200800231](#) [1200860112](#) [1200860121](#) [1200860125](#)
[1200860337](#) [1200860365](#) [1200860420](#) [1200870046](#) [1200870123](#) [1200870248](#) [1200980102](#) [1200660181](#) [1200660183](#) [1200660827](#)
[1200660849](#) [1200661170](#)