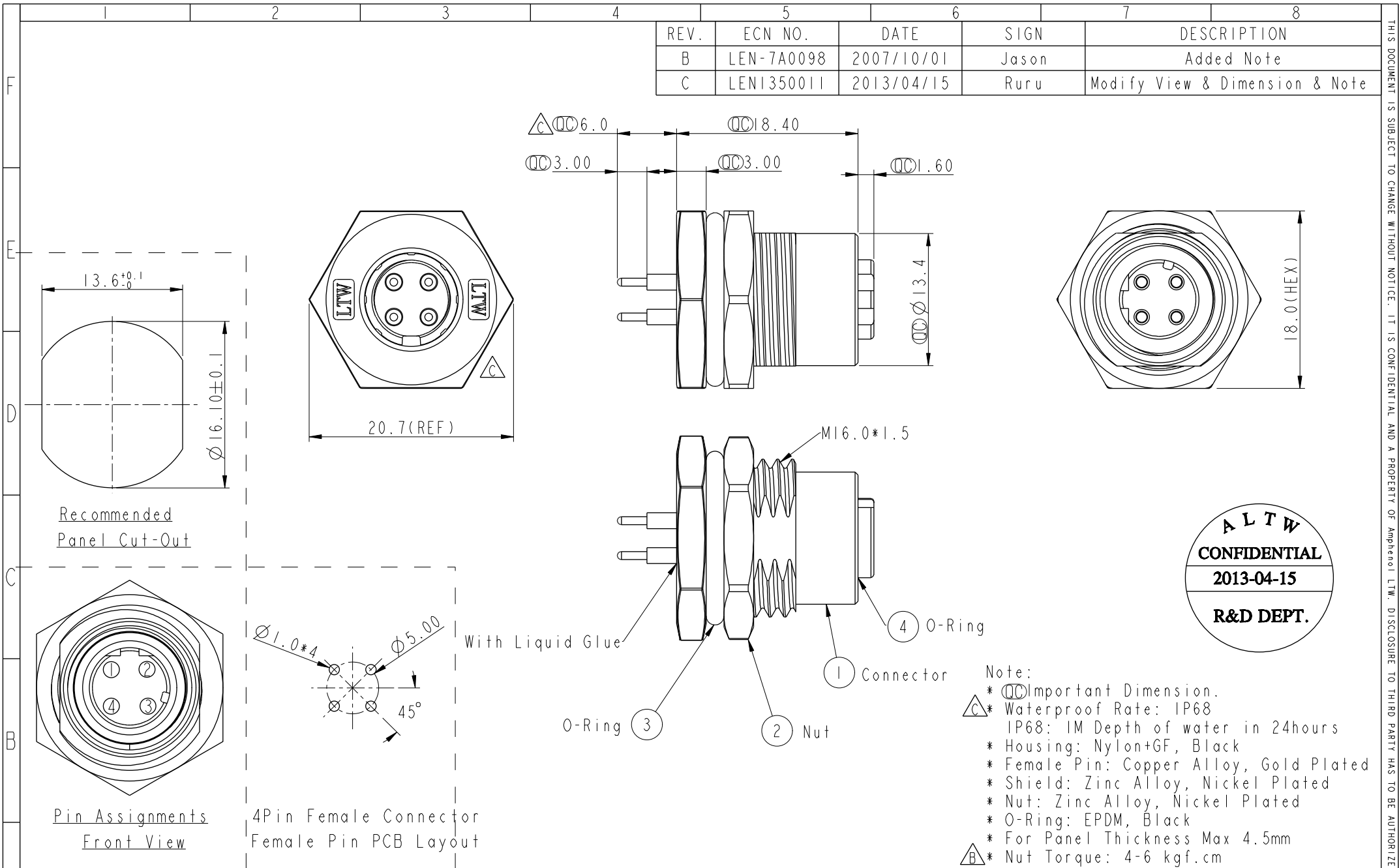


REV.	ECN NO.	DATE	SIGN	DESCRIPTION
B	LEN-7A0098	2007/10/01	Jason	Added Note
C	LEN1350011	2013/04/15	Ruru	Modify View & Dimension & Note



- Note:
- * \varnothing Important Dimension.
 - * \triangle Waterproof Rate: IP68
 - IP68: 1M Depth of water in 24hours
 - * Housing: Nylon+GF, Black
 - * Female Pin: Copper Alloy, Gold Plated
 - * Shield: Zinc Alloy, Nickel Plated
 - * Nut: Zinc Alloy, Nickel Plated
 - * O-Ring: EPDM, Black
 - * For Panel Thickness Max 4.5mm
 - * \triangle Nut Torque: 4-6 kgf.cm

UNIT:mm		TITLE		Amphenol LTW 安費諾亮泰企業股份有限公司	ITEM NO.	DRAWN BY	DATE
		M12 D Code Panel Screw 4Pin F Conn F Pin			12D-04PFFP-SF8003	Ruru	2013-05-03
TOLERANCE		SCALE	SIZE		DWG NO.	CHECKED BY	DATE
.X ±0.25		2:1	A4		12D-04PFFP-SF8003	Vicky	2013-05-03
.XX ±0.1		REV.	WC-REV.		CUSTOMER	APPROVED BY	DATE
.XXX ±0.05		C	A.3		ALTW	Maslow	2013-05-03
ANGLES ±1		\varnothing : Inspection item					

THIS DOCUMENT IS SUBJECT TO CHANGE WITHOUT NOTICE. IT IS CONFIDENTIAL AND A PROPERTY OF Amphenol LTW. DISCLOSURE TO THIRD PARTY HAS TO BE AUTHORIZED BY Amphenol LTW.

X-ON Electronics

Largest Supplier of Electrical and Electronic Components

Click to view similar products for [Standard Circular Connector](#) category:

Click to view products by [Amphenol](#) manufacturer:

Other Similar products are found below :

[C015](#) [10F006](#) [001](#) [1](#) [5M2530B10P](#) [600259N006](#) [600273N007](#) [600432N009](#) [6280-2PG-519](#) [6280-3PG-311](#) [6280-3SG-311](#) [6280-7SG-3DC](#)
[6280-7SG-522](#) [6282-5PG-311](#) [6282-6PG-519](#) [6282-8SG-311](#) [6283-11](#) [6283-15](#) [6290](#) [6382-2PG-311](#) [6382-2PG-3DC](#) [6382-2SG-321](#) [6382-2SG-3DC](#) [6382-4SG-516](#) [67-03E20-37P](#) [681-PMG](#) [CXS3102A14S2P](#) [CXS3102A181S](#) [CXS3106A14S6S](#) [MB12P-1](#) [MB12R-6](#) [7251-2PG-300](#) [7251-2SG-300](#) [7251-4PG-300](#) [7251-4SG-300](#) [7251-5PG-300](#) [7251-5SG-300](#) [7251-6SG-300](#) [7251-7PG-300](#) [7251-8PG-300](#) [7271-6SG-300](#) [7282-3PG-300-CH3](#) [73000005663](#) [75-190216-08S](#) [75-190218-10P](#) [75-474118-10P](#) [75-474618-01S](#) [75-474620-07P](#) [799539-000](#) [MI8-SE](#) [80-190222-18P](#) [805-005-07NF11-19PC](#) [805-005-07NF15-7PA](#)