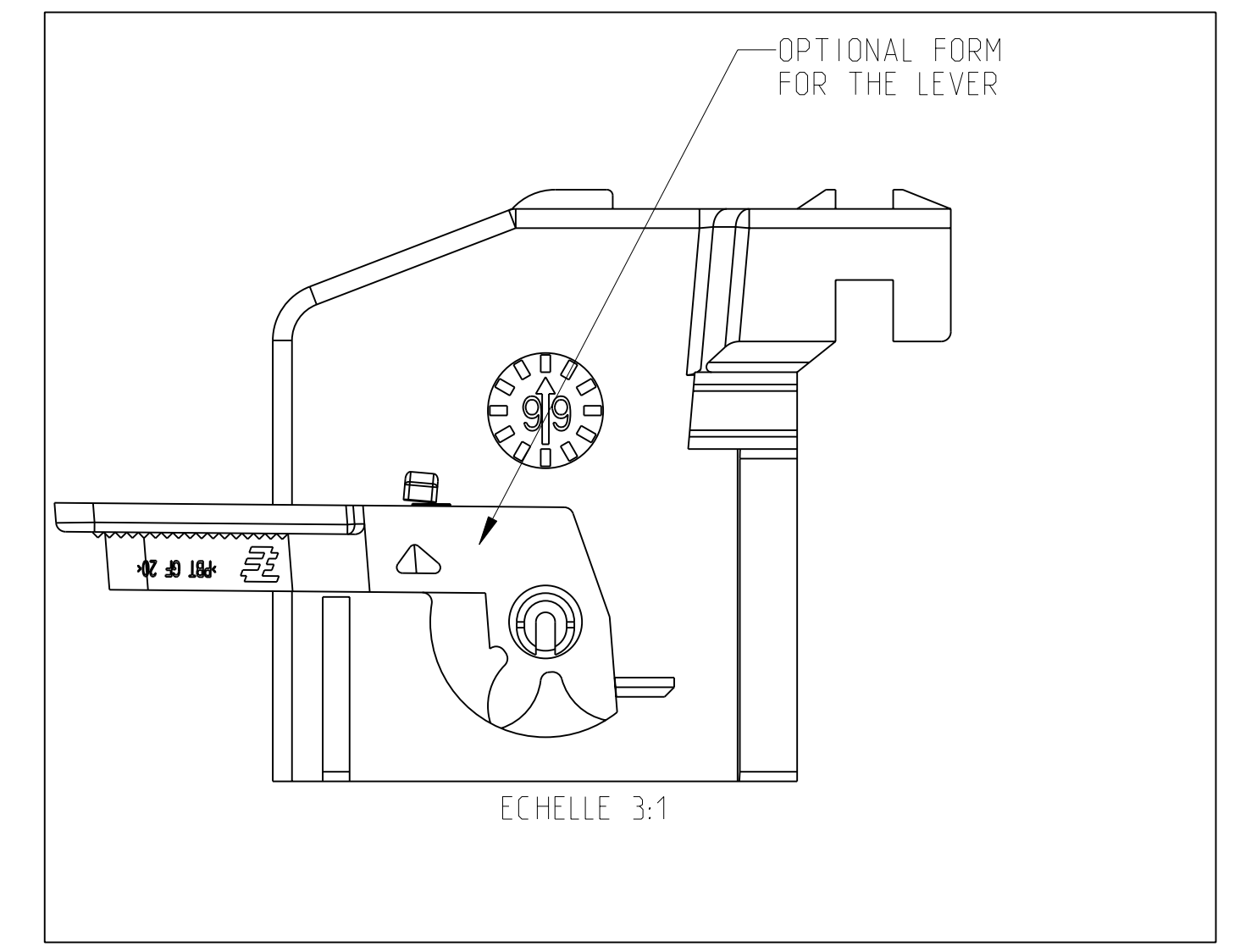
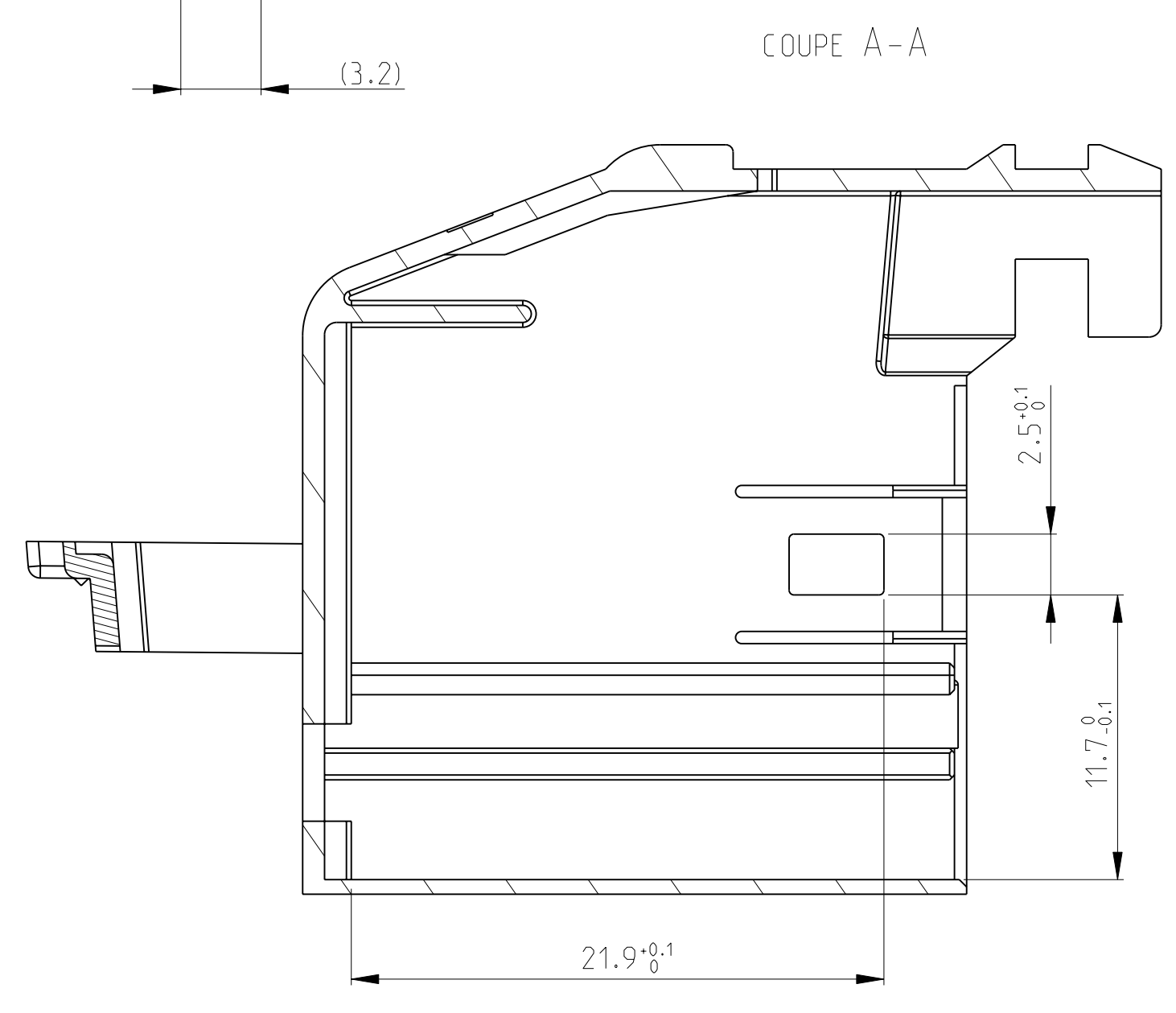
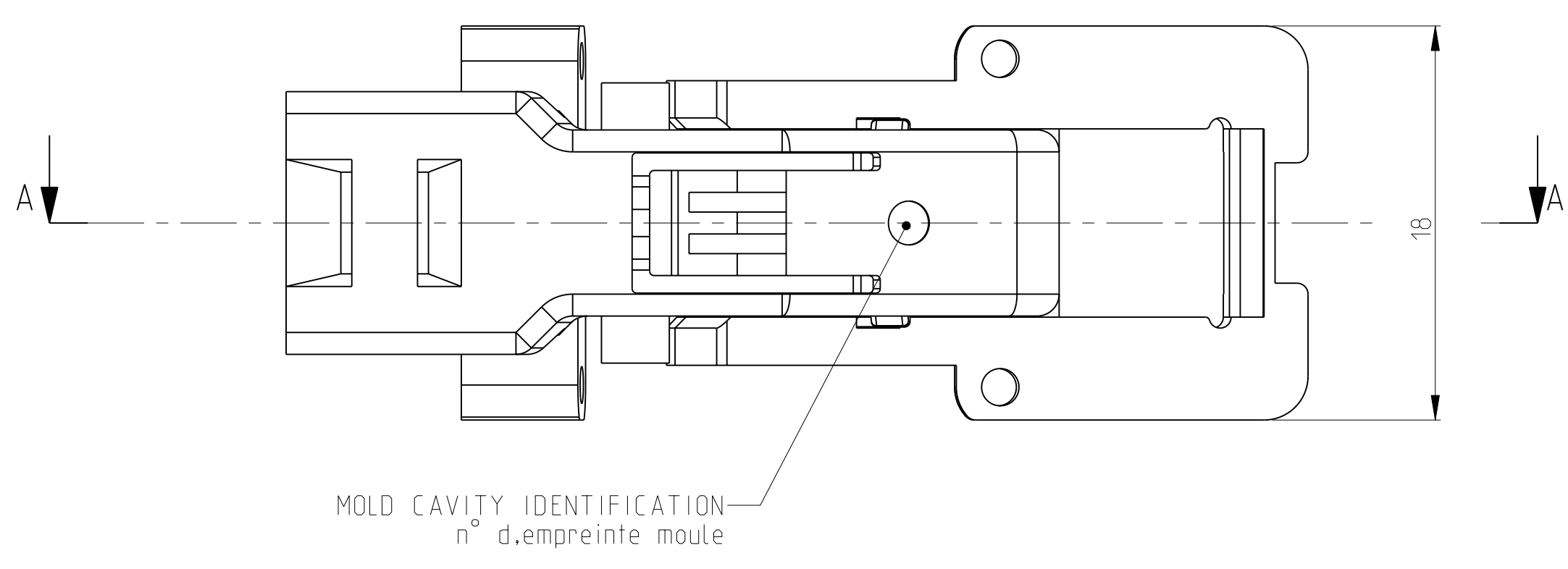
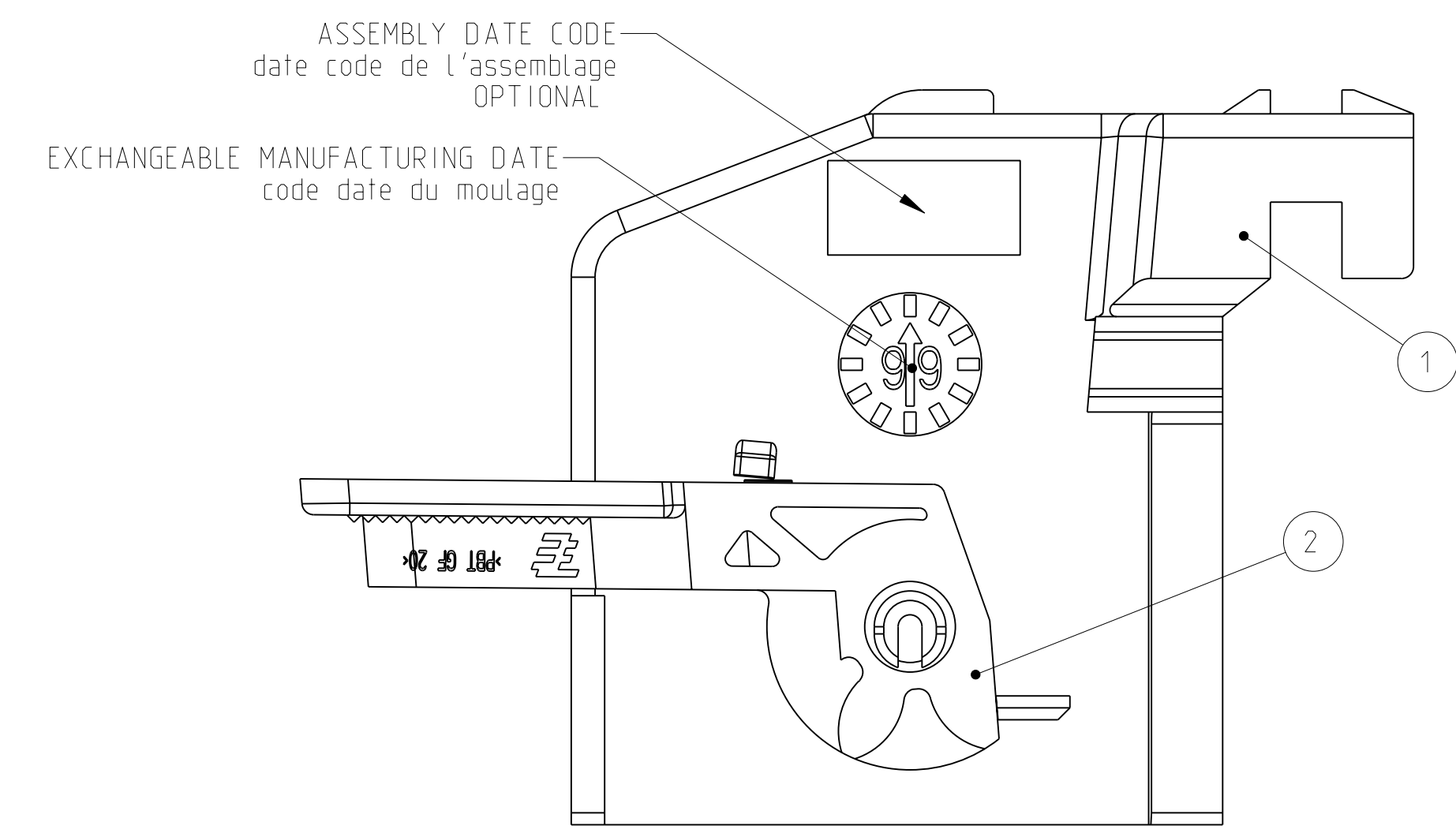
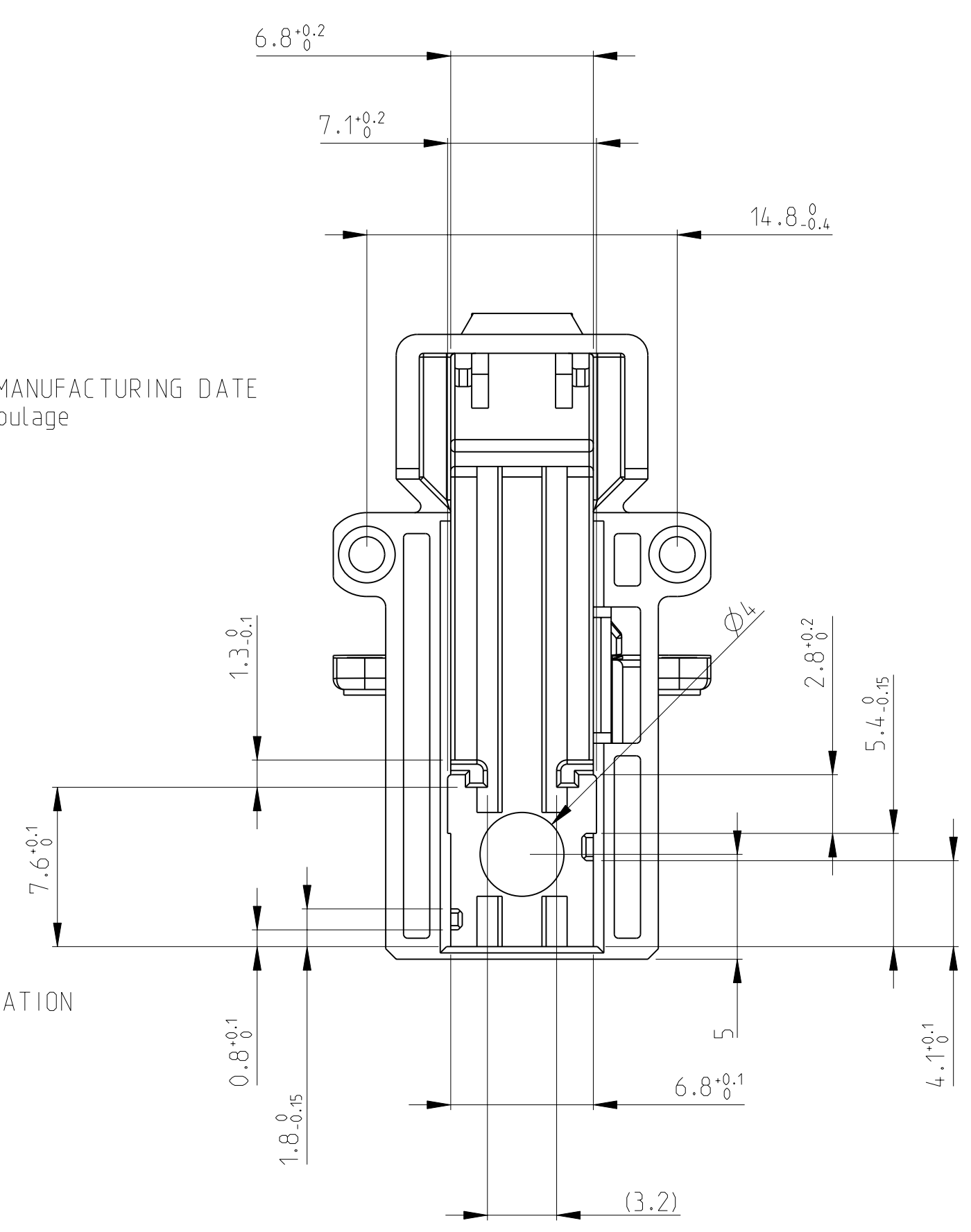
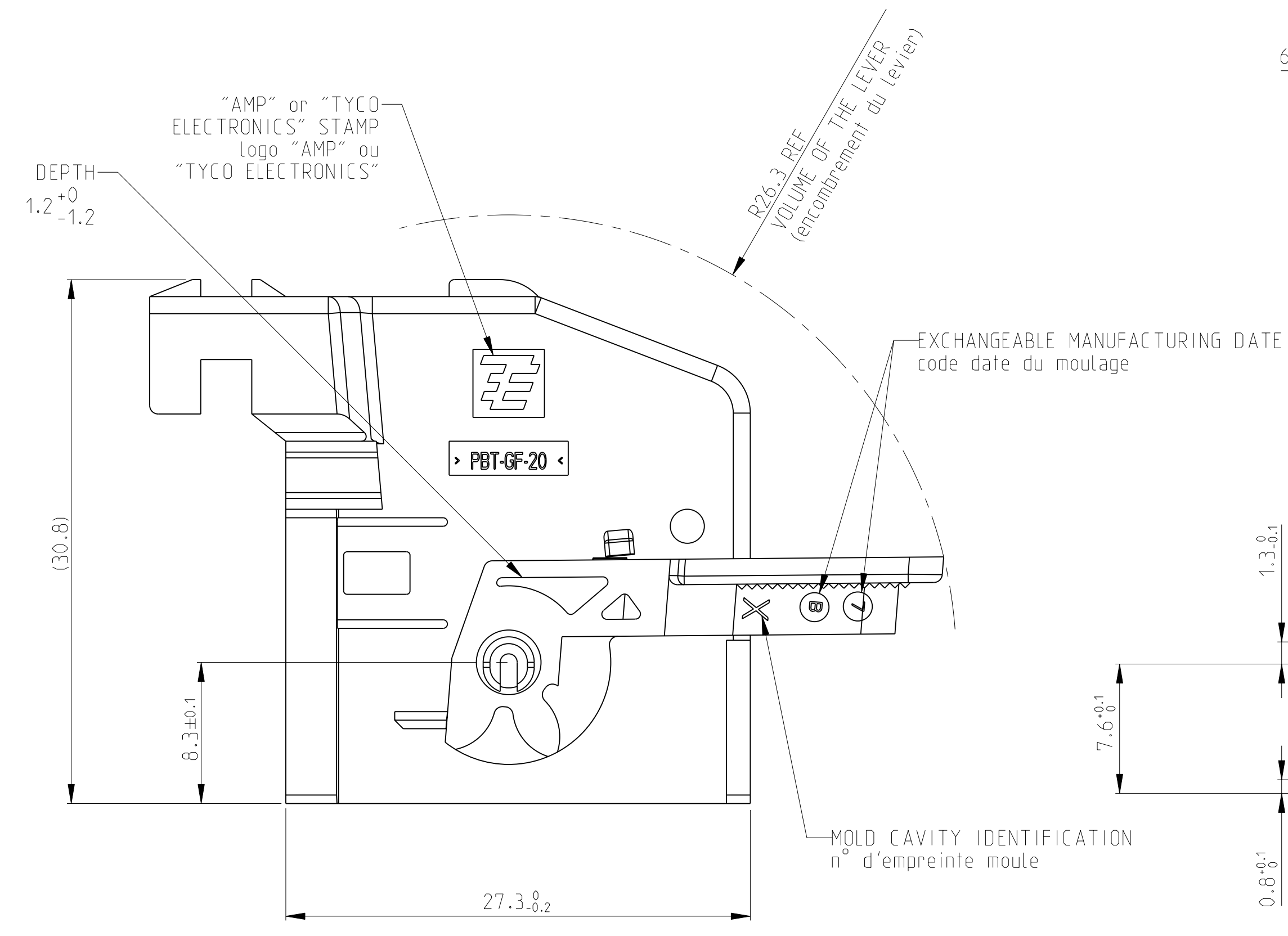
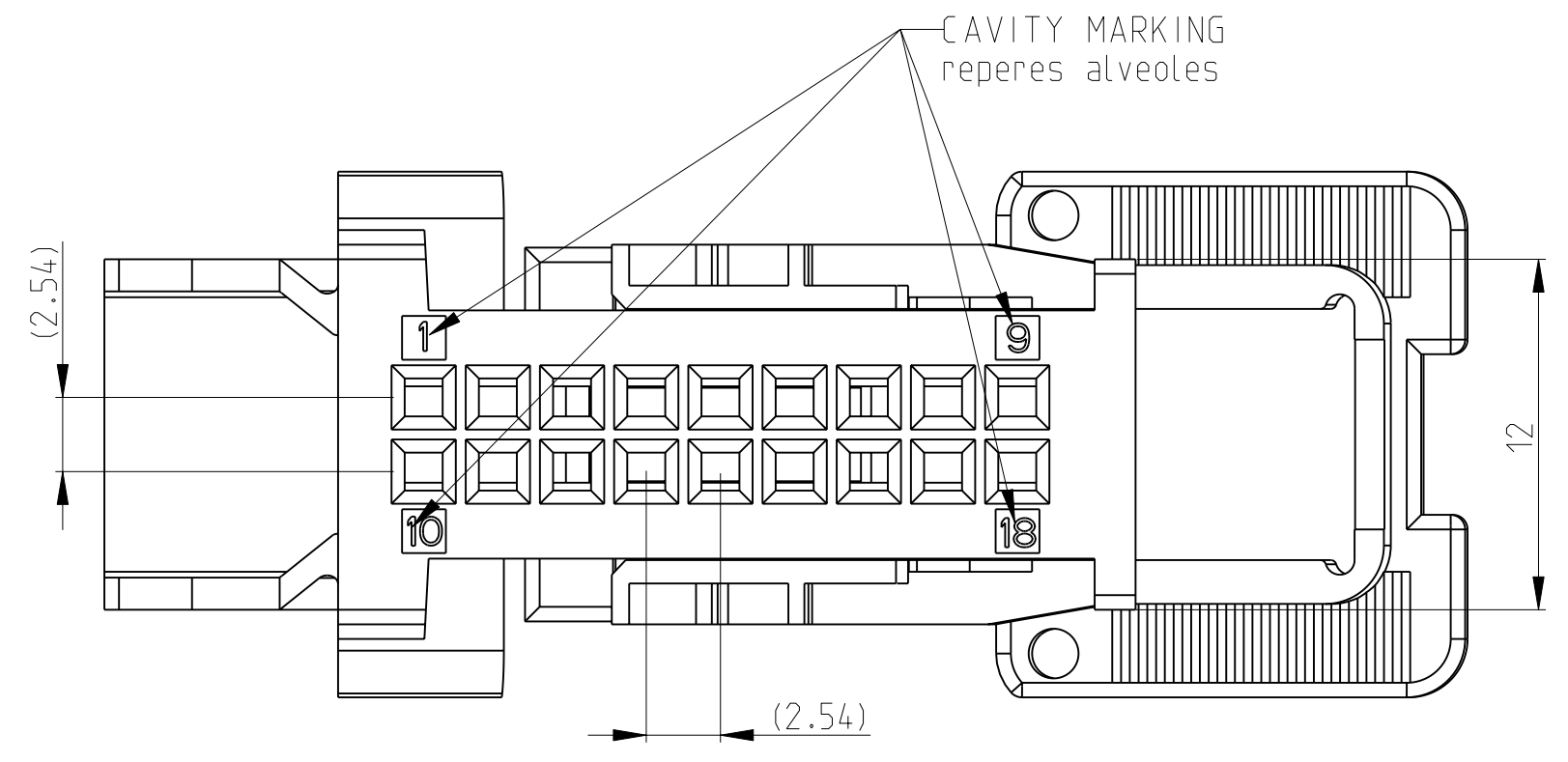


LOC	DIST	REVISIONS			
F	00	REV	DESCRIPTION	DATE	OWN
		F	NOTES CORRECTIONS	09DEC2010	VB

**NOTES**

1. GENERAL MQS TERMINAL PN 928999-x/963715-x  
PIECE A UTILISER AVEC CLIP MQS REF: VOIR CI-DESSUS (F)
2. TE INTERFACE DRAWING: 1801400  
PLAN D'INTERFACE: VOIR CI-DESSUS (F)



DIMENSIONS: mm TOLERANCES UNLESS OTHERWISE SPECIFIED: 1. PLC / DEC ±0.2 2. PLC / DEC ±0.15 3. PLC / DEC ±0.1 4. PLC / DEC ±0.05		TOLERANCES UNLESS OTHERWISE SPECIFIED: 1. FINISH/PINION ±5° 2. FINISH/PINION -		DWN/DRESSURE: M. POLIFONTE 10MAY2000 CHA/REV/ETIE: J.L. LALANGE 10MAY2000 APVD/APP/ROUVE: J.L. LALANGE 10MAY2000		Tyco Electronics France SAS 95300 Pontoise, France	
MATERIAL/MATIERE: SET TABLE		WEIGHT/MASSE APPROX.: 5g		NAME: SHIELD MQS 18 POS 90 DEG GENE II TYPE: PORTE-MODULE 18 VOIES MQS 90 DEG		SIZE/FORMAT: A1 CAGE CODE: 00779 DRAWING NO: C=1379101	
CUSTOMER DRAWING /PLAN CLIENT		DIVISION/REPART: FOUR REFERENCE		SCALE/ECHELLE: 1:1		SHEET/FEUILLE: 1 OF 2 REV: F	

LOC	DIST	REVISIONS					
F	00	P	LTB REV	DESCRIPTION MODIFICATIONS	DATE	DWN DESS.	APVD APP.
		-		SEE SHEET 1	-	-	-

LEVER levier	2	1	PBT GF 20%	1379101-5	BLACK noir	
SHIELD capot	1	1	PBT GF 20%		GREEN vert	
LEVER levier	2	1	PBT GF 20%	1379101-4	BLACK noir	
SHIELD capot	1	1	PBT GF 20%		BROWN marron	
LEVER levier	2	1	PBT GF 20%	1379101-3	BLACK noir	
SHIELD capot	1	1	PBT GF 20%		BLUE bleu	
LEVER levier	2	1	PBT GF 20%	1379101-2	BLACK noir	
SHIELD capot	1	1	PBT GF 20%		WHITE blanc	
LEVER levier	2	1	PBT GF 20%	1379101-1	BLACK noir	
SHIELD capot	1	1	PBT GF 20%		BLACK noir	
DESCRIPTION designation	ITEM rep.	QTY qte	MATERIAL matiere	TE PN ref TE	COLOR couleur	KEYING (LEVER NOT SHOWN) detrantage (levier non représenté)

THIS DRAWING IS UNPUBLISHED. RELEASED FOR PUBLICATION DIVISION RESERVE AAMP BY TYCO ELECTRONICS CORPORATION. ALL RIGHTS RESERVED. 1988 A LA DIFFUSION TOUTS DROITS RESERVES.		DWN/DESINE M. POLIFONTE 10MAY2000		Tyco Electronics France SAS 95300 Pontoise, France	
DIMENSIONS mm		TOLEANCES UNLESS OTHERWISE SPECIFIED: DIMENSIONS AND SPECIFIERS P.F.C./DEC: ±0.2 S.F.C./DEC: ±0.2 H.F.C./DEC: ±0.2		NAME SHIELD MQS 18 POS 90 DEG GENE II PORTE-MODULE 18 VOIES MQS 90 DEG	
MATERIAL/MATIERE SET TABLE		FINISH/FINITION #5*		WEIGHT MASSE APPROX. 5g	
CUSTOMER DRAWING /PLAN CLIENT		SIZE FORMAT A1		DRAWING NO NO PLAN 00779 C=1379101	
UNDEPART FOUR REFERENCE		SCALE ECHELLE 3:1		SHEET FEUILLE 2 OF 2	
RESTRICTED TO RESERVE A		REV F		REV F	

## X-ON Electronics

Largest Supplier of Electrical and Electronic Components

*Click to view similar products for [Automotive Connectors](#) category:*

*Click to view products by [TE Connectivity](#) manufacturer:*

Other Similar products are found below :

[003-018-000](#) [600858](#) [60403001](#) [60993906-B](#) [60993913-B](#) [629515004020001](#) [M902-2131](#) [M902-2161](#) [M902-2344](#) [72.330.1035.1](#)  
[73.353.4028.0](#) [F118010](#) [F119300-B](#) [F132210](#) [F132210-B](#) [F166900](#) [F180100](#) [F258300](#) [F258300-B](#) [F294300-B](#) [F339100](#) [F339700](#) [F358300-](#)  
[B](#) [F374110](#) [F407400](#) [F412210](#) [F427600](#) [F444110](#) [F487000](#) [F495100-B](#) [F500900-B](#) [F509500B-B](#) [770444-1](#) [776880-1](#) [827153-1](#) [881735-1](#)  
[8N1515-32-24P](#) [9-1326729-8](#) [925467-1](#) [925474-1](#) [928905-1](#) [936398-2](#) [964562-1](#) [964562-4](#) [964731-2](#) [965051-1](#) [968782-1](#) [GT17SA-8DS-](#)  
[HU](#) [GT17VS-10DP-5.2CF](#) [98315-0001](#)