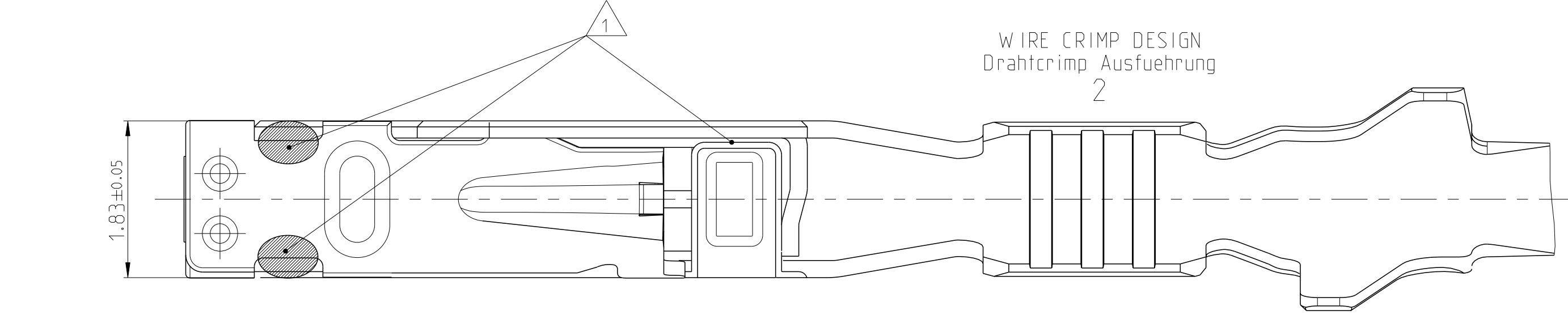
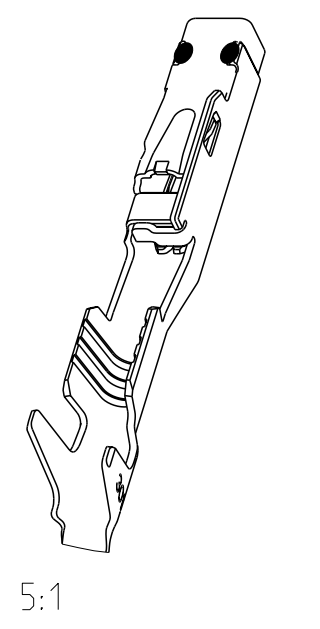
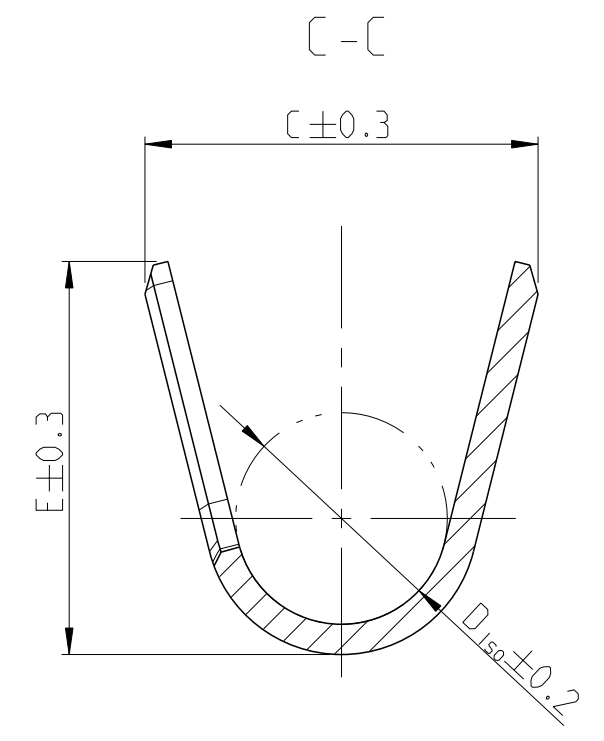
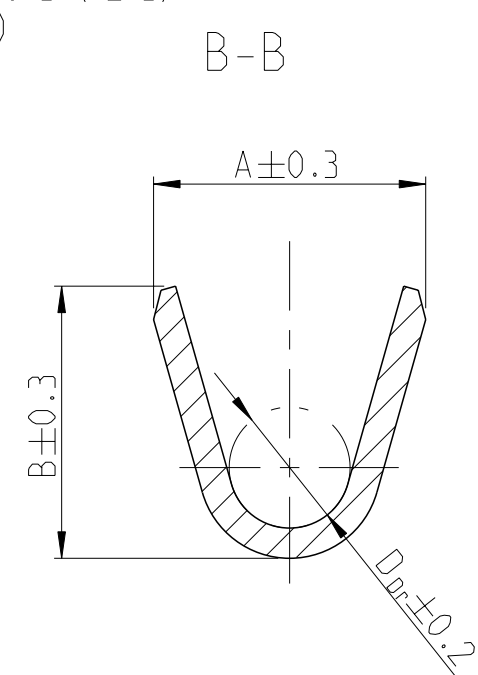
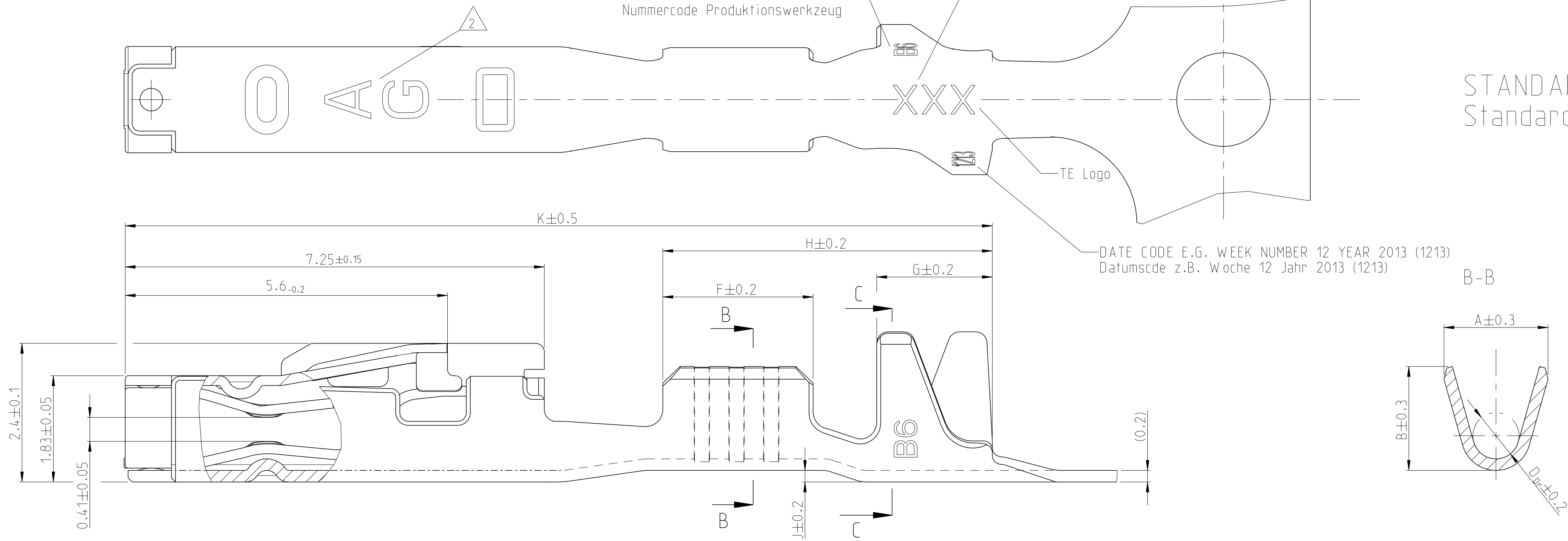


REVISION Aenderungsstand /  
 NUMBER CODE PRODUCTION TOOL  
 Nummernote Produktionswerkzeug

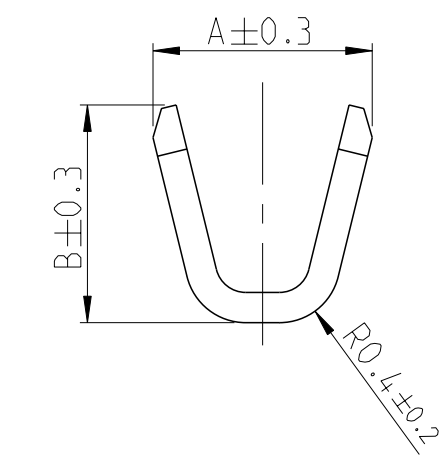
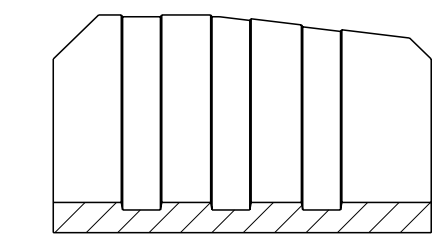
MANUFACTURING LOCATION CODE  
 Kennzahl Produktionsstandort

STANDARD APPLICATION  
 Standard Anwendung

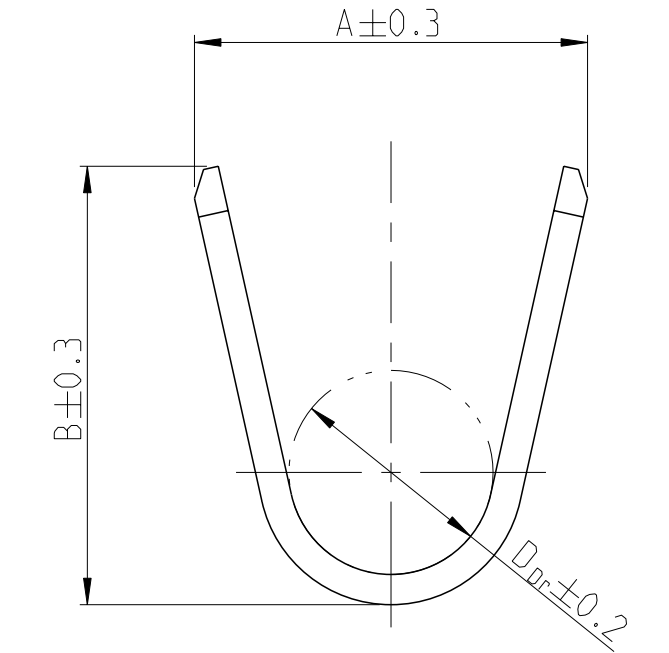
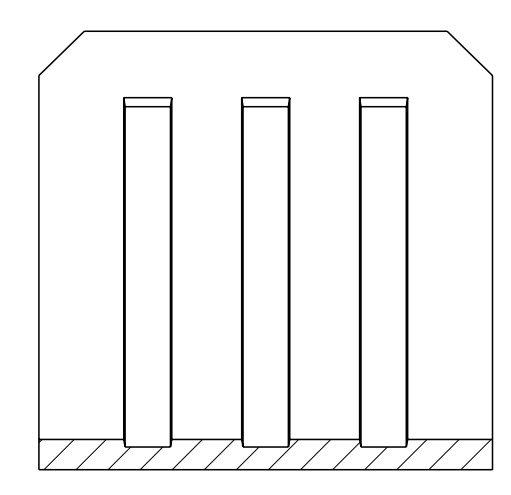


WIRE CRIMP DESIGN  
 Drahtcrimp Ausfuehrung 2

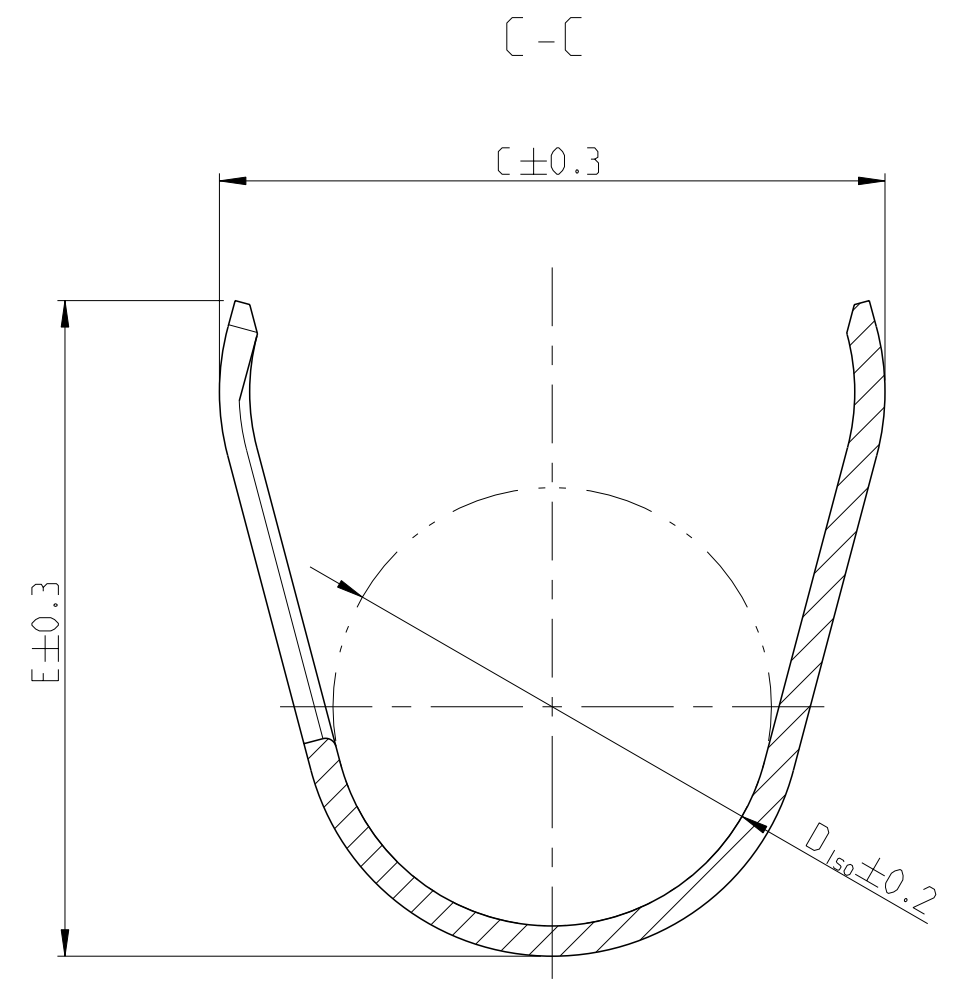
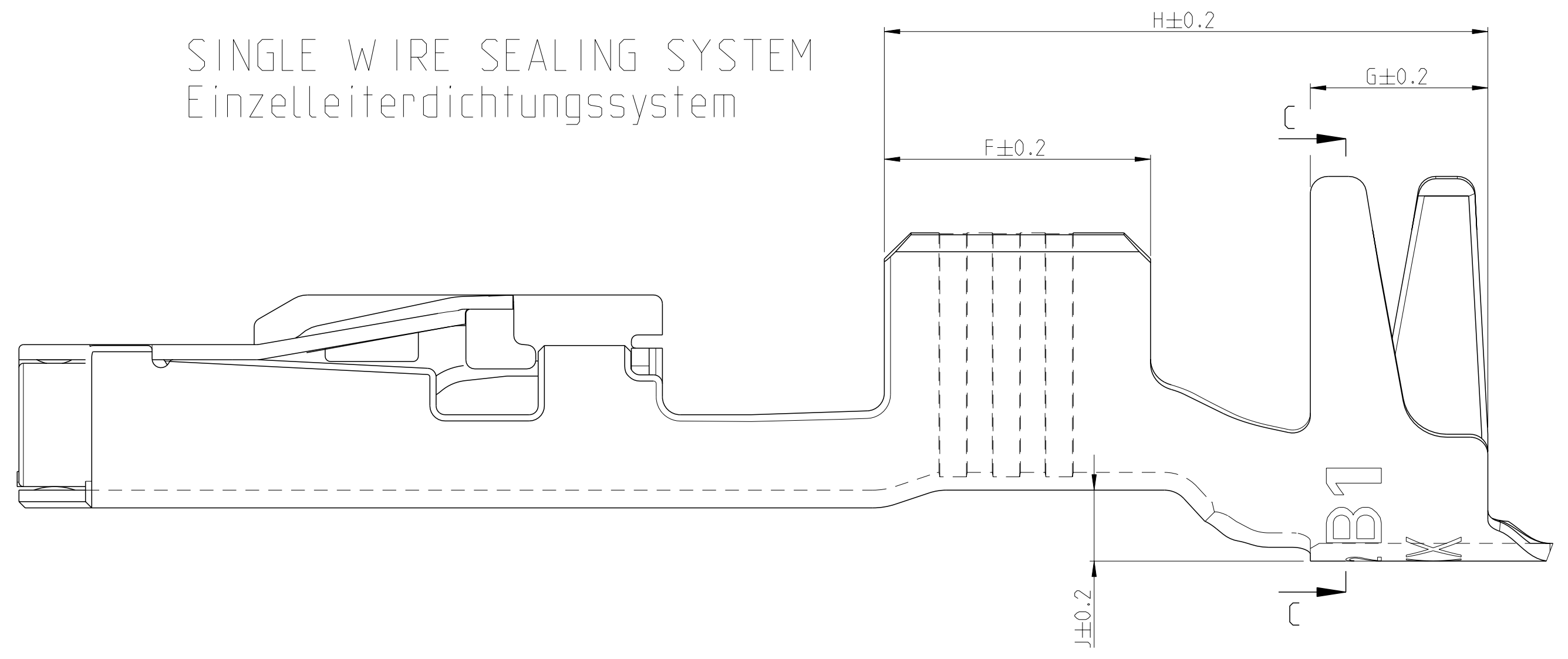
WIRE CRIMP DESIGN  
 Drahtcrimp Ausfuehrung 1



WIRE CRIMP DESIGN  
 Drahtcrimp Ausfuehrung 3



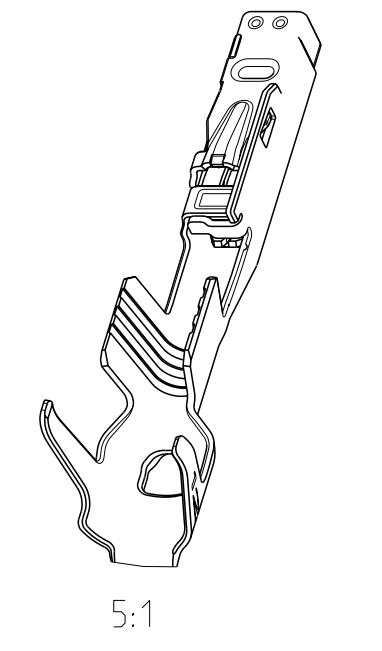
SINGLE WIRE SEALING SYSTEM  
 Einzelleiterdichtungssystem



NOTES  
 Bemerkungen

- 1 LASER WELDED  
 Lasergeschweisst
- 2 STAMPED INDICATOR FOR PLATING:  
 - AU GOLD PLATING  
 - AG SILVER PLATING  
 - TIN PLATING WITHOUT INDICATOR  
 Markierung fuer galvanische Ausfuehrung:  
 - AU vergoldet  
 - AG versilbert  
 - verzinkt: ohne Markierung

3 TO BE USED ON TAB  
 1.2±0.1 x 0.6±0.03 MM  
 geeignet fuer Flachstecker  
 1.2±0.1 x 0.6±0.03 mm



THIS DRAWING IS A CONTROLLED DOCUMENT.		OWN E. Horn 11NOV2011	TE Connectivity	
DIMENSIONS: mm		CHK R. Meier 11NOV2011	NAME MCON 1.2 LL (LOCKING-LANCE)	
TOLERANCES UNLESS OTHERWISE SPECIFIED: ±0.2		APVD V. Seigel 11NOV2011	PRODUCT SPEC	
MATERIAL		108-18782 APPLICATION SPEC	SIZE 114-18464	
FINISH		WEIGHT 0.18 g	RESTRICTED TO	
ANGLES		Customer Drawing	SCALE 20:1 SHEET 1 OF 2 REV 7	

LOC	DIST	REVISIONS					
		P	LYR	DESCRIPTION	DATE	OWN	APVD
A1	-	-	-	SEE SHEET 1	-	-	-

VERSION / Ausführung	REV.	RANGE Bereich	INSULATION-Ø Isolations-Ø (mm)	AWG	mm <sup>2</sup>	BODY Kontakt-körper	SPRING Kontakt-feder	BODY Kontakt-körper	SPRING Kontakt-feder	DESIGN WIRE-CRIMP Ausführung Draht-Crimp	C7											SINGLE WIRE SEAL FOR CAVITY DIAMETER	BLINDPLUG ORDER NO. Blindstopfen Bestell-Nr.	APPLICATION TOOLS Verarbeitungswerkzeuge	
											A	B	D <sub>Dr</sub>	C	E	D <sub>ISO</sub>	F	G	H	J	K				
STANDARD APPLICATION Standardanwendung	2141970-3	A	0.13-	0.95-	-	0.13	CuSn4	CuNiSi	8	7	1	1.5	1.4	-	4.0	3.9	2.6	2.5	1.9	6.2	0.6	16	SEE APPLICATION SPEC. 114-18464 siehe Verarbeitungsspez. 114-18464		
	2141970-2	A	0.22	0.95-	-	0.17				6	1	1.5	1.4	-	4.0	3.9	2.6	2.5	1.9	6.2	0.6	16			
	2141970-1	A	9	1.2	-	0.22				5	1	1.5	1.4	-	4.0	3.9	2.6	2.5	1.9	6.2	0.6	16			
	7-1452665-3	A	0.25-	1.1-	-	0.25				7	2	1.8	1.8	0.8	4.2	4.3	2.6	2.6	2.0	6.4	0.8	16			
	7-1452665-2	A	0.25-	1.1-	24	-				6	2	1.8	1.8	0.8	4.2	4.3	2.6	2.6	2.0	6.4	0.8	16			
	7-1452665-1	A	0.35	1.75	22	-				5	2	1.8	1.8	0.8	4.2	4.3	2.6	2.6	2.0	6.4	0.8	16			
	7-1452668-3	A	0.5-	1.4-	20	0.5				7	2	2.0	2.1	1.1	4.2	4.3	2.7	2.6	2.0	6.4	0.8	16			
	7-1452668-2	A	0.5-	1.4-	-	0.75				6	2	2.0	2.1	1.1	4.2	4.3	2.7	2.6	2.0	6.4	0.8	16			
	7-1452668-1	A	0.75	1.9	-	0.75				5	2	2.0	2.1	1.1	4.2	4.3	2.7	2.6	2.0	6.4	0.8	16			
	7-1452671-3	A	1-	1.9-	18	-				7	2	2.6	2.9	1.35	4.4	4.3	2.9	3.0	2.0	6.8	0.8	16.55			
	7-1452671-2	A	1-	1.9-	-	1				6	2	2.6	2.9	1.35	4.4	4.3	2.9	3.0	2.0	6.8	0.8	16.55			
	7-1452671-1	A	1.5	2.4	16	-				5	2	2.6	2.9	1.35	4.4	4.3	2.9	3.0	2.0	6.8	0.8	16.55			
7-1452671-1	A	1.5	2.4	-	1.5	5	2	2.6	2.9	1.35	4.4	4.3	2.9	3.0	2.0	6.8	0.8	16.55							


**7- VARIANTS FOR NEW APPLICATIONS**

- NOTES  
Bemerkungen
- 4 ONLY FOR FLR-WIRE SEE DIN 72551, PART 6 AND AWG WIRE ACCORDING DC-SPEC: MS-8288 ; MS-7889 ; MS-9532  
Nur fuer FLR-Leitung nach DIN 72551, Teil 6 und AWG Leitung nach DC-SPEC: MS-8288 ; MS-7889 ; MS-9532
  - 5 PRE TIN SnAg 1.0 TO 3.0µm  
Vorverzinnt SnAg 1.0 bis 3.0µm
  - 6 SPRING GOLD PLATED MIN. 0.8µm (only contact area)  
Kontaktfeder galv. vergoldeft min.0.8µm (nur Kontaktzone)
  - 7 SPRING SILVER PLATED 2.0 TO 5.0µm (only contact area)  
Kontaktfeder galv. versilbert 2.0 bis 5.0µm (nur Kontaktzone)
  - 8 BODY PRE TIN Sn 1.0 TO 3.0µm  
Kontaktkoerper vorverzinnt Sn 1.0 bis 3.0µm
  - 9 REINFORCED WIRE ACCORDING TO LV 112-4  
Zugverstaerkte Leitung nach LV 112-4

VERSION / Ausführung	REV.	RANGE Bereich	INSULATION-Ø Isolations-Ø (mm)	AWG	mm <sup>2</sup>	BODY Kontakt-körper	SPRING Kontakt-feder	BODY Kontakt-körper	SPRING Kontakt-feder	DESIGN WIRE-CRIMP Ausführung Draht-Crimp	C7											SINGLE WIRE SEAL FOR CAVITY DIAMETER	BLINDPLUG ORDER NO. Blindstopfen Bestell-Nr.	APPLICATION TOOLS Verarbeitungswerkzeuge							
											A	B	D <sub>Dr</sub>	C	E	D <sub>ISO</sub>	F	G	H	J	K										
STANDARD APPLICATION Standardanwendung	0-1452665-3	B	0.25-	1.1-	-	0.25	CuSn0.15/0.2	CuNiSi	5	7	2	1.8	1.8	0.8	4.2	4.3	2.6	2.6	2.0	6.4	0.8	16	SEE APPLICATION SPEC. 114-18464 siehe Verarbeitungsspez. 114-18464								
	0-1452665-2	B	0.25-	1.1-	24	-				6	2	1.8	1.8	0.8	4.2	4.3	2.6	2.6	2.0	6.4	0.8	16									
	0-1452665-1	B	0.35	1.75	22	-				5	2	1.8	1.8	0.8	4.2	4.3	2.6	2.6	2.0	6.4	0.8	16									
	0-1452668-3	C	0.5-	1.4-	20	0.5				7	2	2.0	2.1	1.1	4.2	4.3	2.7	2.6	2.0	6.4	0.8	16									
	0-1452668-2	C	0.5-	1.4-	-	0.75				6	2	2.0	2.1	1.1	4.2	4.3	2.7	2.6	2.0	6.4	0.8	16									
	0-1452668-1	C	0.75	1.9	-	0.75				5	2	2.0	2.1	1.1	4.2	4.3	2.7	2.6	2.0	6.4	0.8	16									
	0-1452671-3	B	1-	1.9-	18	-				7	3	2.6	2.9	1.35	4.4	4.3	2.9	3.0	2.0	6.8	0.8	16.55									
	0-1452671-2	B	1-	1.9-	-	1				6	3	2.6	2.9	1.35	4.4	4.3	2.9	3.0	2.0	6.8	0.8	16.55									
	0-1452671-1	B	1.5	2.4	16	-				5	3	2.6	2.9	1.35	4.4	4.3	2.9	3.0	2.0	6.8	0.8	16.55									
	0-1452671-1	B	1.5	2.4	-	1.5				5	3	2.6	2.9	1.35	4.4	4.3	2.9	3.0	2.0	6.8	0.8	16.55									
	0-1452653-3	B	0.25-	1.1-	-	0.25				CuSn0.15/0.2	CuNiSi	5	7	2	1.8	1.8	0.8	4.2	4.3	2.6	2.6	2.0				5.7	0.2	15	SEE APPLICATION SPEC. 114-18464 siehe Verarbeitungsspez. 114-18464		
	0-1452653-2	B	0.25-	1.1-	24	-							6	2	1.8	1.8	0.8	4.2	4.3	2.6	2.6	2.0				5.7	0.2	15			
0-1452653-1	B	0.35	1.75	22	-	5	2	1.8	1.8				0.8	4.2	4.3	2.6	2.6	2.0	5.7	0.2	15										
0-1452656-3	C	0.5-	1.4-	20	0.5	7	2	2.0	2.1				1.1	4.2	4.3	2.7	2.6	2.0	6.1	0.2	16										
0-1452656-2	C	0.5-	1.4-	-	0.75	6	2	2.0	2.1				1.1	4.2	4.3	2.7	2.6	2.0	6.1	0.2	16										
0-1452656-1	C	0.75	1.9	-	0.75	5	2	2.0	2.1				1.1	4.2	4.3	2.7	2.6	2.0	6.1	0.2	16										
0-1452659-3	B	1-	1.9-	18	-	7	3	2.6	2.9				1.35	3.7	3.9	2.1	3.0	2.0	6.1	0.2	16										
0-1452659-2	B	1-	1.9-	-	1	6	3	2.6	2.9				1.35	3.7	3.9	2.1	3.0	2.0	6.1	0.2	16										
0-1452659-1	B	1.5	2.4	16	-	5	3	2.6	2.9				1.35	3.7	3.9	2.1	3.0	2.0	6.1	0.2	16										
0-1452659-1	B	1.5	2.4	-	1.5	5	3	2.6	2.9				1.35	3.7	3.9	2.1	3.0	2.0	6.1	0.2	16										

**0- VARIANTS SUPERSEDED BY 7- VARIANTS (SEE TABLE ON TOP)**

THIS DRAWING IS A CONTROLLED DOCUMENT.

OWN: E. Horn	11NOV2011	 TE Connectivity NAME: MCON 1.2 LL (LOCKING-LANCE)
CHK: R. Meier	11NOV2011	
APVD: V. Seigel	11NOV2011	
PRODUCT SPEC: 108-18782	APPLICATION SPEC: 114-18464	
MATERIAL: -	WEIGHT: -	Customer Drawing

DIMENSIONS: mm  
 TOLERANCES UNLESS OTHERWISE SPECIFIED:  
 ±0.2  
 ANGLES: °

SIZE: A1  
 CAGE CODE: 00779  
 DRAWING NO: 1452674  
 SCALE: - SHEET 2 OF 2 REV: C7

## X-ON Electronics

Largest Supplier of Electrical and Electronic Components

*Click to view similar products for [DC Fans](#) category:*

*Click to view products by [TE Connectivity](#) manufacturer:*

Other Similar products are found below :

[614R](#) [6424/2HP-210](#) [8312R](#) [DV4118/2NP-183](#) [AFB0948HH-S687](#) [PFB0824DHE-8B72](#) [G2E085-AA05-10](#) [RD20S-4/210660](#) [4318/12T](#)  
[4418HH](#) [AUB0912H-F00](#) [3412N/2ME](#) [K2E225-RA92-09](#) [4184N/2XR](#) [5214N2HH](#) [614J2HHPR-010](#) [8412NGL-12](#) [4114N/12HHR-297](#)  
[4656](#) [ZWR-903](#) [4112N12GL-175](#) [KD2406PKB2.\(2\).GN](#) [AFB1248HHE](#) [AFB1212LE-F00](#) [FAN-SCH-1](#) [MF60151V1-1000U-G99](#)  
[PF80252V1-1000U-G99](#) [PF92252V1-1000U-G99](#) [4112N/2H6P](#) [4114N/17-251](#) [6212NH](#) [622/2N](#) [712F-011](#) [8218J/2NP-181](#) [W1G180-AB47-](#)  
[15](#) [FAA1-12038NBKW31-A](#) [6318N/2TDP](#) [6318N/2H3PU](#) [6318HU](#) [424JMU](#) [PMD1206PTVX-A.U.GN](#) [PF80251B2-000U-F99](#)  
[EF40101BX-1000U-G99](#) [AD1224LB-A71GL](#) [9GA0924L4021](#) [9GA0924M4021](#) [9GA0924M4011](#) [9GA0824B20011](#) [9GA0812A2D0011](#)  
[9GA0912M4D011](#) [9GA0924W4D01](#)