

REVISION RECORD				
REV	ECN	DESCRIPTION	DRFT	DATE

NOTES1:

UL Standard

1. Rated voltage/current : 300V / 10A
2. Withstanding voltage : AC1600V/1Min.
3. Torque value : M3 , 4.5Lb.in
4. Wire range : 28~14AWG

IEC Standard

1.

Pollution degree	2/3
Overvoltage category	III/II
Rate impulse voltage(KV)	2.5KV
Rate voltage(V)	250V
Rate current(A)	10 A
2. Torque value : M3 , 0.5N·m
3. Wire range : 0.2~1.5mm²

NOTES2:

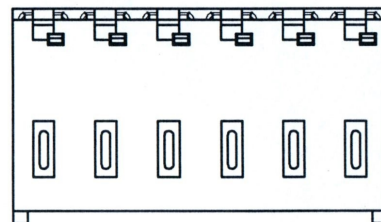
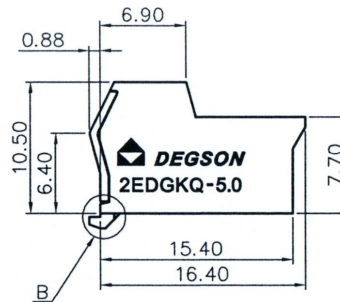
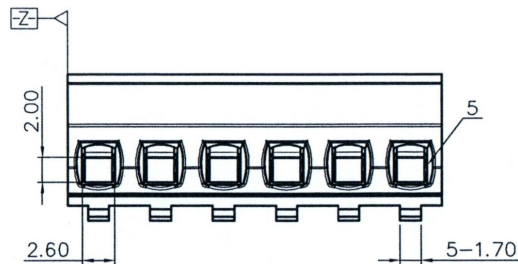
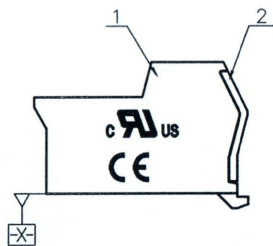
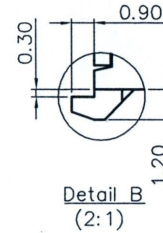
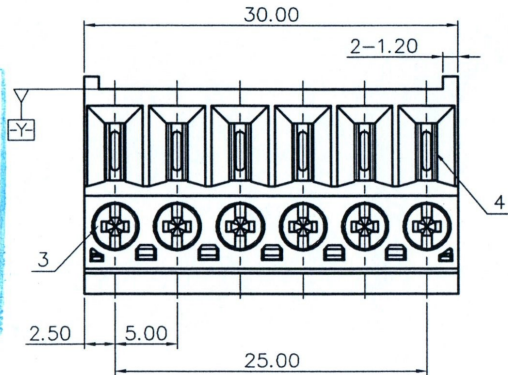
1. Dimension shall be interpreted per ASME Y14.5-2009
2. Pitch : 5.0mm, Poles : 06P
3. Stripping length : 6~7mm
4. Operating temperature: -40°C~+105°C
5. Undimensioned tolerances:

Pitch Range In mm		Nominal Dimension Range In mm					-	∩	∇
To	Over	To	Over	To	Over	To	Over	0.1/10	
6	10	10	24	30	60	100	150	<	
±0.15	±0.25	±0.30	±0.30	±0.50	±0.70	±1.00	±1.30	±2*	

6. RoHS Compliance

5	CAGE	COPPER ALLOY	M3/Ni Plated
4	CLAMP	COPPER ALLOY	Sn Plated
3	SCREW	STEEL	M3/Zn Plated
2	COVER	PA66	UL94V-0
1	HOUSING	PA66	UL94V-0
ITEM	NAME OF PART	MATERIAL	NOTES

仅供参考图
 签字: *[Signature]*
 日期: *P13-16*



DETACHED LISTS	PART NO.: /	宁波高松电子有限公司 NINGBO DEGSON ELECTRICAL CO., LTD		
	APPD: <i>Aoxon P13-16</i>	NAME: 2EDGKQ-5.0-06P-1Y-00A(H)		
	CHKD:	TITLE: CUSTOMER DRAWING		
	DRFT: Jay.z 09/13/16"	REV	D0-1	
	 THIRD ANGLE PROJECTION	DRAWING NO.: 2EDGKQ-5.0-C01	SHEET	1/1
	MM (INCH)	DO NOT SCALE DRAWING	SCALE	1:1