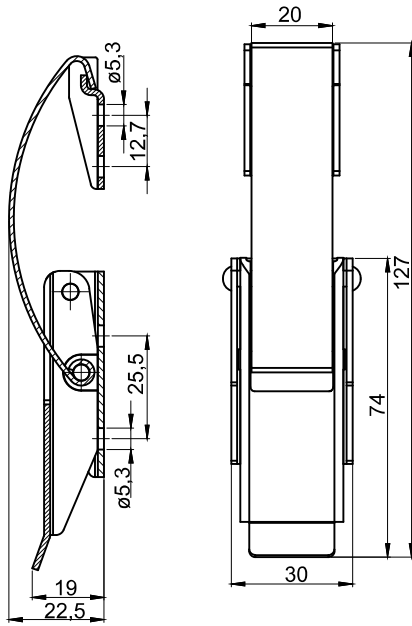
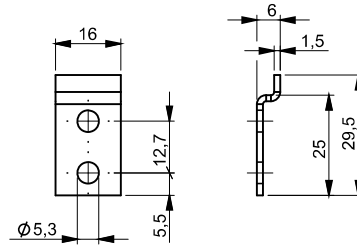




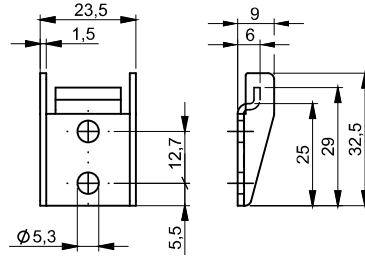
3.ST263.001



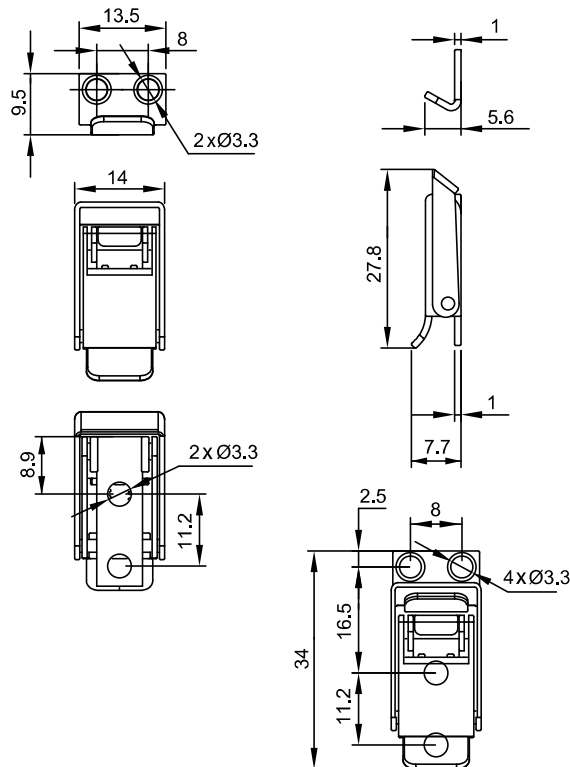
3.ST263.001.04A



3.ST263.001.04B



CATALOGUE NUMBER	MATERIAL	FINISH [C]
		RAL 9005
3.ST263.001	Steel zinc plated	04
3.ST263.001SN	Stainless steel	-
3.ST263.001.04A	Steel zinc plated	04
3.ST263.001.04B	Steel zinc plated	04
3.ST263.001.04ASN	Stainless steel	04
3.ST263.001.04BSN	Stainless steel	04



CATALOGUE NUMBER	MATERIAL
3.561.001	Stainless steel