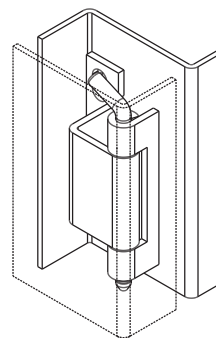
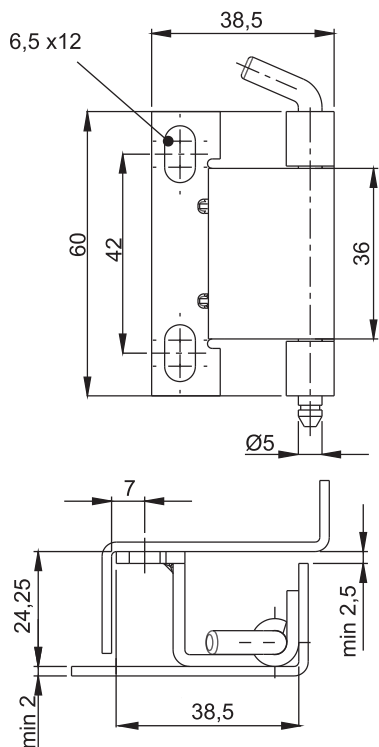
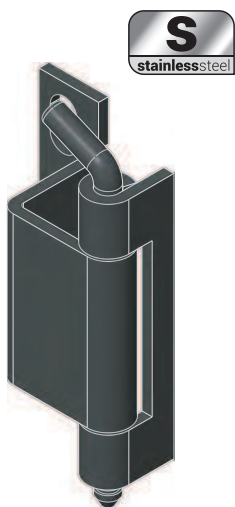
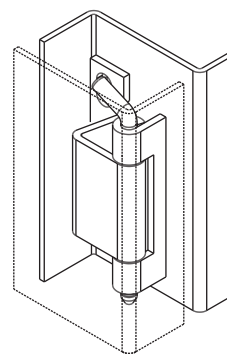
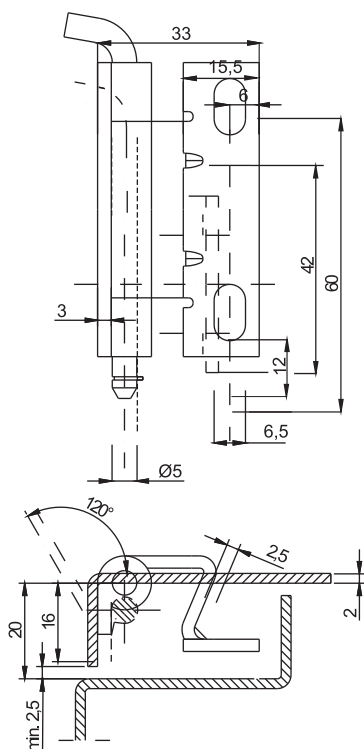
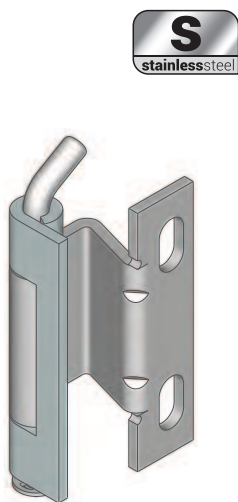


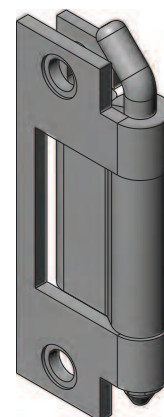
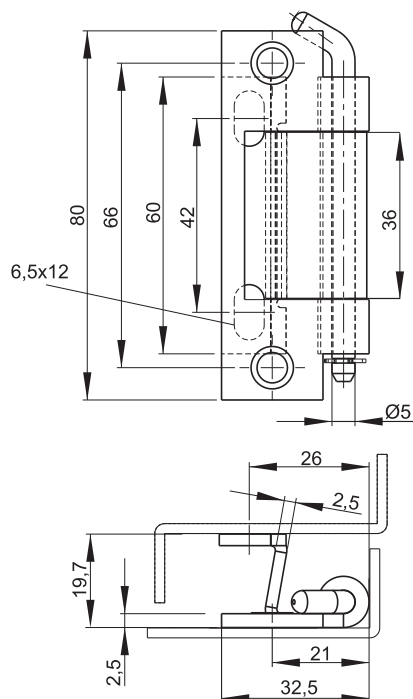
INTERNAL HINGES



CATALOGUE NUMBER	COMPONENTS	MATERIAL
3.ST4-1.001	Base, Pin	Steel zinc plated
	Holder	Steel
3.ST4-1.001SN	Holder, Base, Pin	Stainless steel



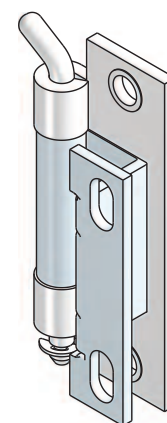
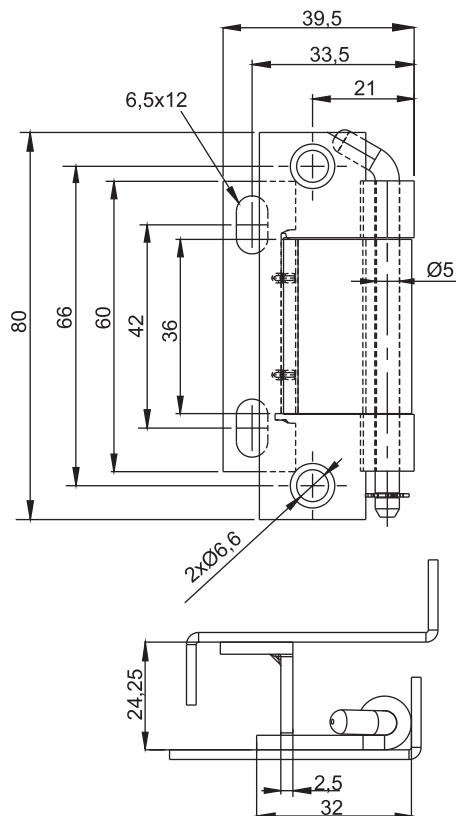
CATALOGUE NUMBER	COMPONENTS	MATERIAL
3.ST4.001	Base, Pin	Steel zinc plated
	Holder	Steel
3.ST4.001SN	Holder, Base, Pin	Stainless steel



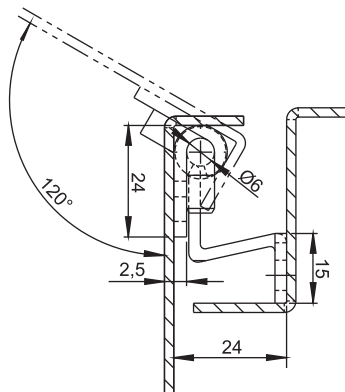
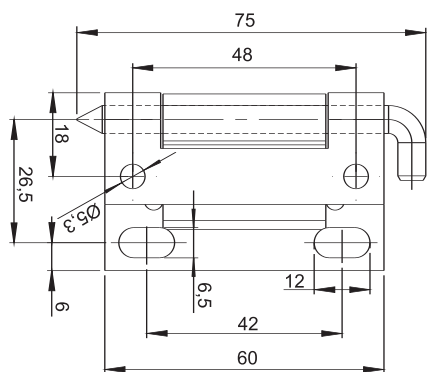
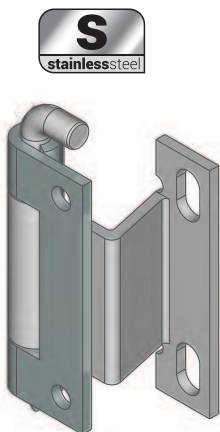
HINGES

3B

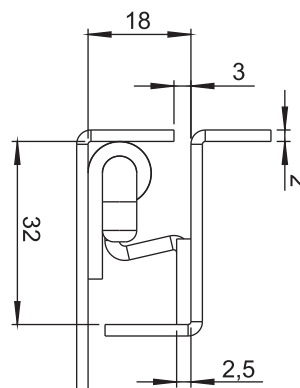
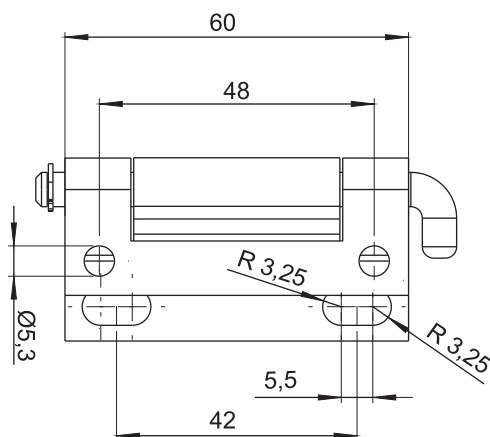
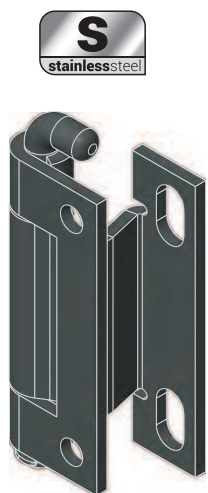
CATALOGUE NUMBER	COMPONENTS	MATERIAL
3.ST4-2.001	Holder, Base, Pin	Steel zinc plated
3.ST4-2.001SN	Holder, Base, Pin	Stainless steel



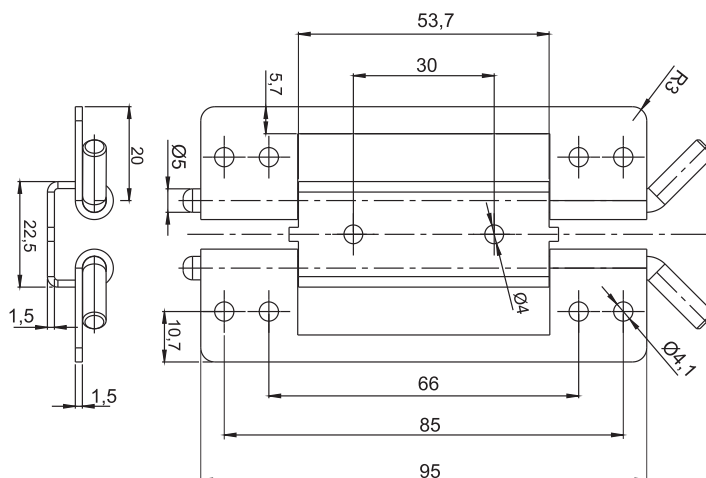
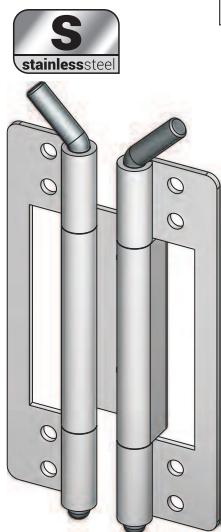
CATALOGUE NUMBER	COMPONENTS	MATERIAL
3.ST4-4.001	Holder, Base, Pin	Steel zinc plated
3.ST4-4.001SN	Holder, Base, Pin	Stainless steel



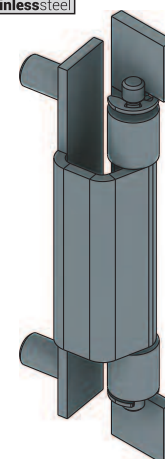
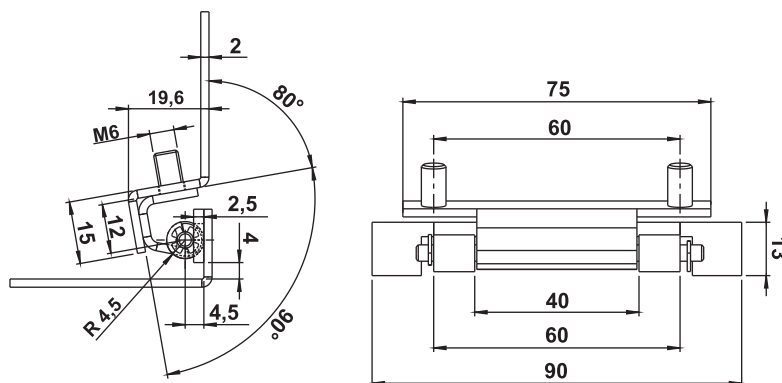
CATALOGUE NUMBER	COMPONENTS	MATERIAL
3.ST27.001	Holder, Base, Pin	Steel zinc plated
3.ST27.001SN	Holder, Base, Pin	Stainless steel



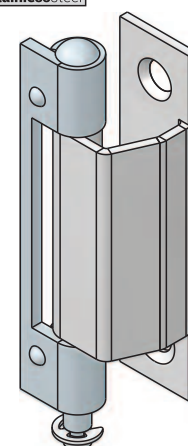
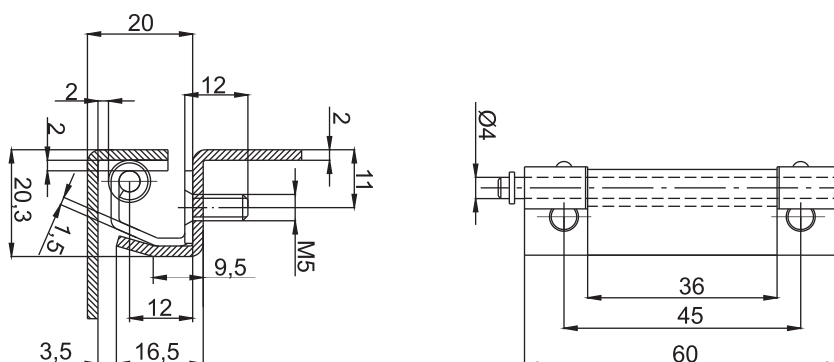
CATALOGUE NUMBER	COMPONENTS	MATERIAL
3.ST27-1.001	Holder, Base, Pin	Steel zinc plated
3.ST27-1.001SN	Holder, Base, Pin	Stainless steel



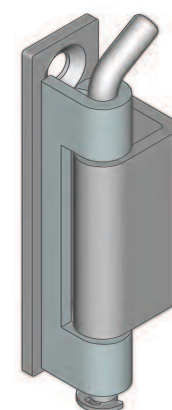
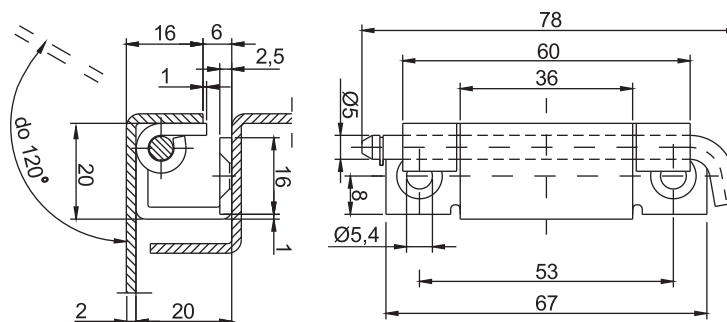
CATALOGUE NUMBER	COMPONENTS	MATERIAL
3.ST54.001	Holder, Base, Pin	Steel zinc plated
3.ST54.001SN	Holder, Base, Pin	Stainless steel



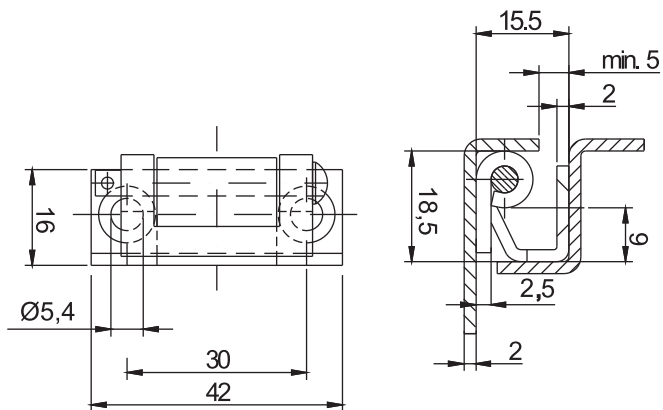
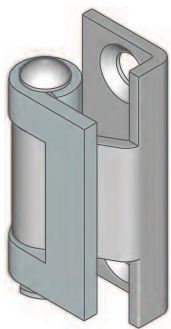
CATALOGUE NUMBER	COMPONENTS	MATERIAL
3.ST47.001	Base, Pin	Steel zinc plated
	Holder	Steel
3.ST47.001SN	Holder, Base, Pin	Stainless steel



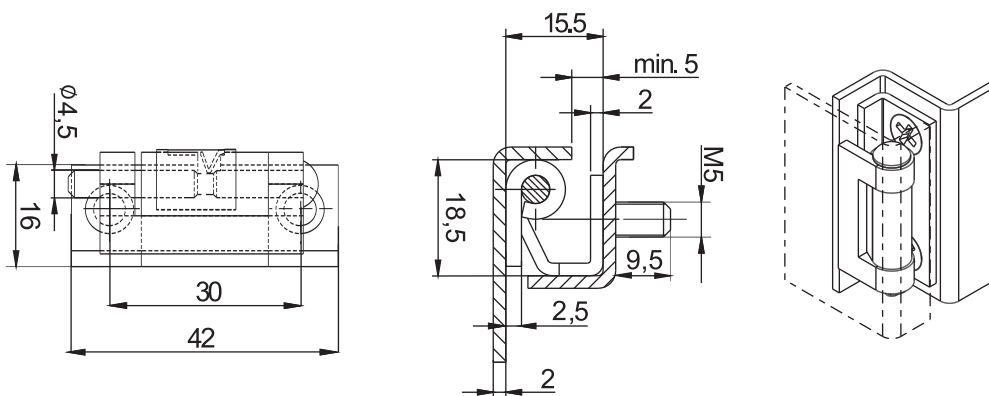
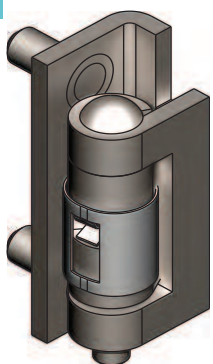
CATALOGUE NUMBER	COMPONENTS	MATERIAL
3.ST47.002	Base, Pin	Steel zinc plated
	Holder	Steel
3.ST47.002SN	Holder, Base, Pin	Stainless steel



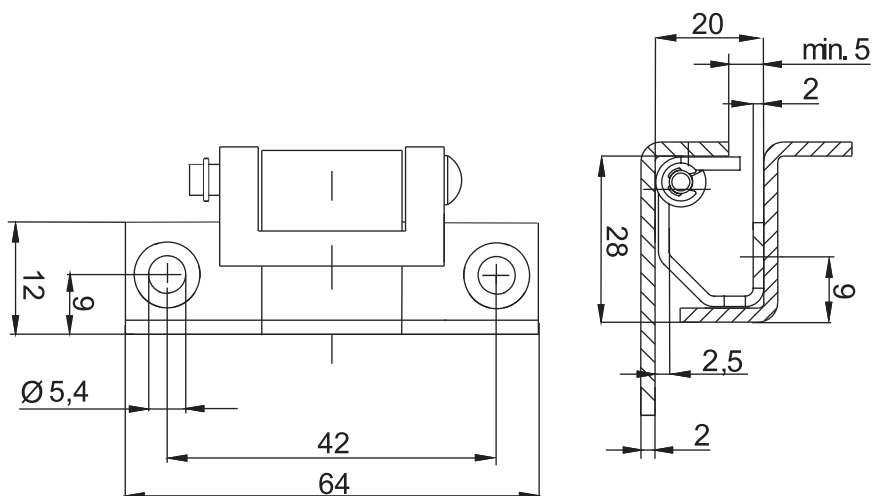
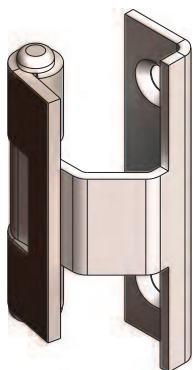
CATALOGUE NUMBER	COMPONENTS	MATERIAL
3.ST13.001	Base, Pin	Steel zinc plated
	Holder	Steel
3.ST13.001SN	Holder, Base, Pin	Stainless steel



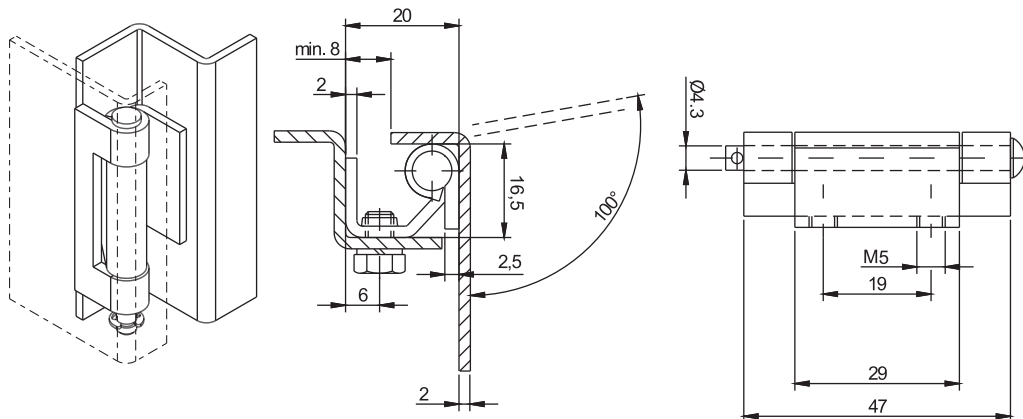
CATALOGUE NUMBER	COMPONENTS	MATERIAL
3.ST16.001	Base, Pin	Steel zinc plated
	Holder	Steel
3.ST16.001SN	Holder, Base, Pin	Stainless steel

NEW


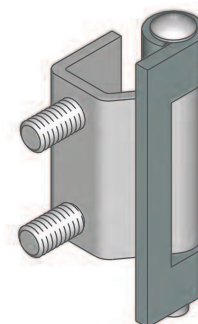
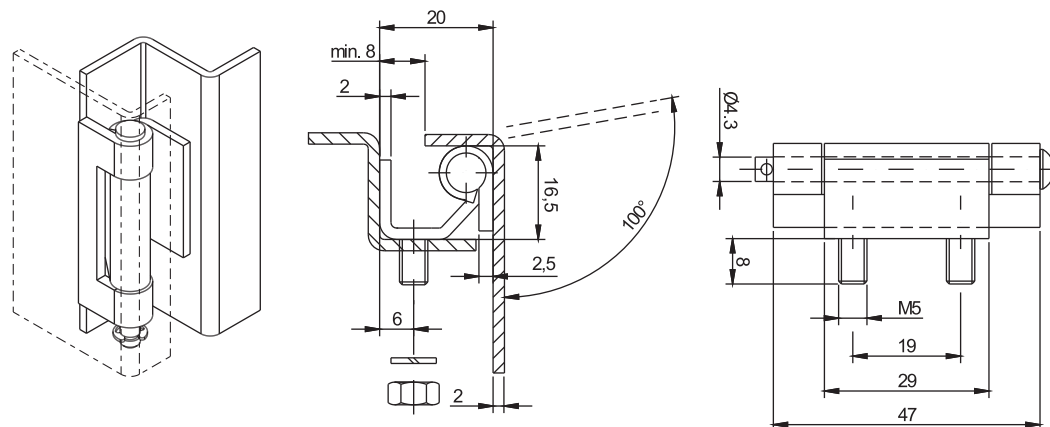
CATALOGUE NUMBER	COMPONENTS	MATERIAL
3.ST16.004	Holder	Steel
	Base, Pin	Steel zinc plated
	Spring	Stainless steel

NEW


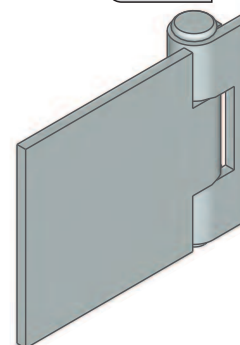
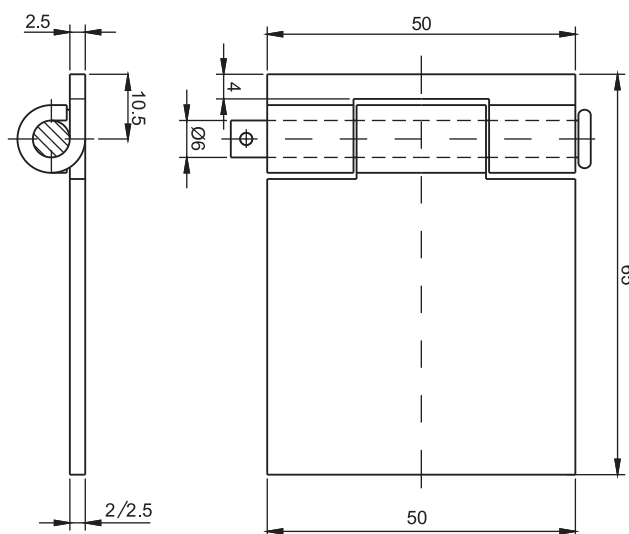
CATALOGUE NUMBER	COMPONENTS	MATERIAL
3.ST16.006	Base, Pin	Steel zinc plated
	Holder	Steel



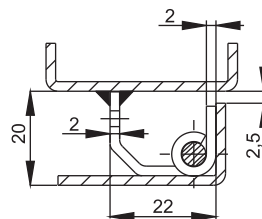
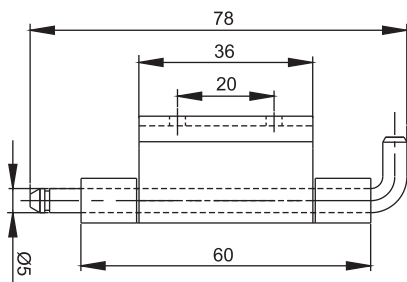
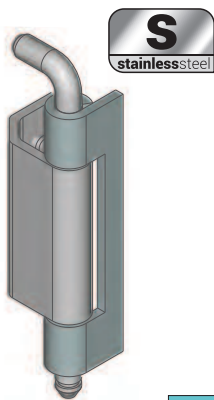
CATALOGUE NUMBER	COMPONENTS	MATERIAL
3.ST5.003	Base, Pin	Steel zinc plated
	Holder	Steel
3.ST5.003SN	Holder, Base, Pin	Stainless steel



CATALOGUE NUMBER	COMPONENTS	MATERIAL
3.ST5.001	Base, Pin	Steel zinc plated
	Holder	Steel
3.ST5.001SN	Holder, Base, Pin	Stainless steel



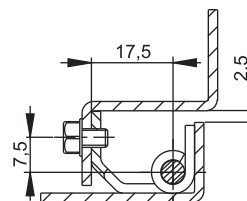
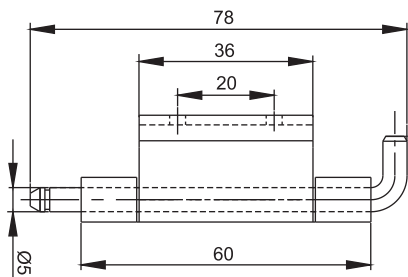
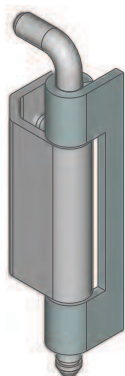
CATALOGUE NUMBER	COMPONENTS	MATERIAL
3.ST6.001	Holder, Base, Pin	Steel
3.ST6.001SN	Holder, Base, Pin	Stainless steel



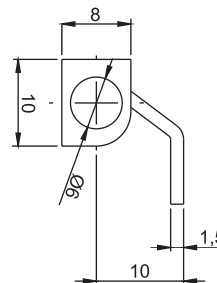
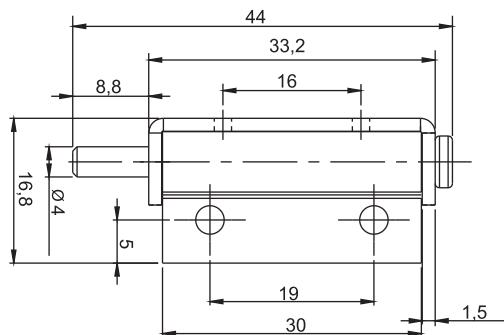
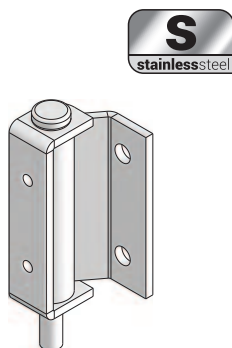
CATALOGUE NUMBER	COMPONENTS	MATERIAL
3.ST43.001	Holder, Base	Steel
	Pin	Steel zinc plated
3.ST43.001SN	Holder, Base, Pin	Stainless steel

HINGES

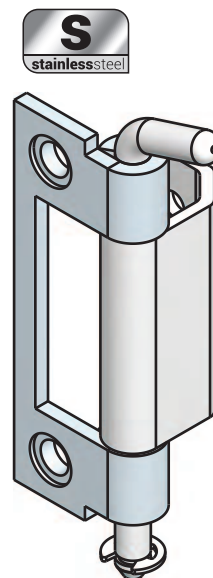
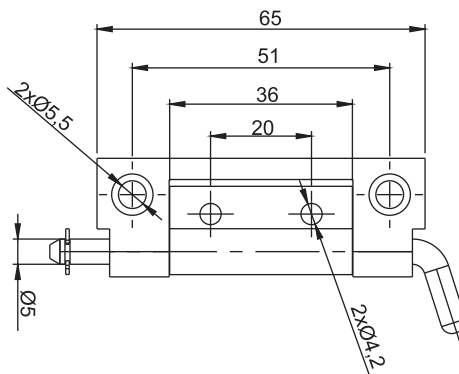
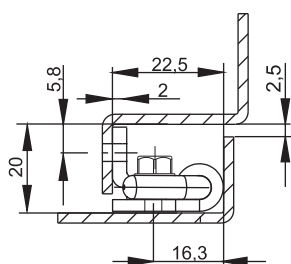
3B



CATALOGUE NUMBER	COMPONENTS	MATERIAL
3.ST43.002	Holder, Pin	Steel zinc plated
	Base	Steel
3.ST43.002SN	Holder, Base, Pin	Stainless steel



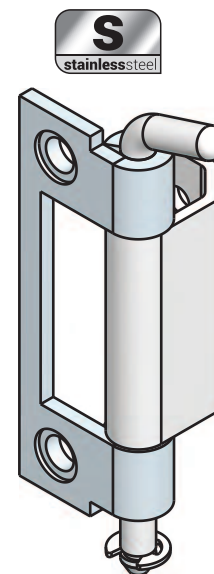
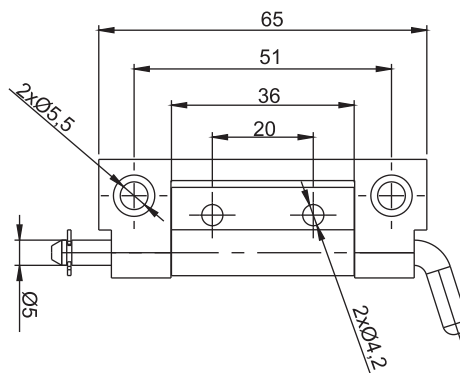
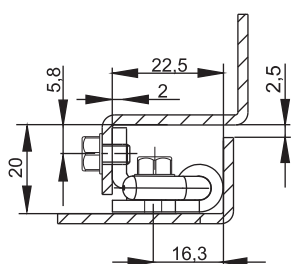
CATALOGUE NUMBER	COMPONENTS	MATERIAL
3.ST43-2.001	Holder, Base, Pin	Steel zinc plated
3.ST43-2.001SN	Holder, Base, Pin	Stainless steel



CATALOGUE NUMBER	COMPONENTS	MATERIAL
3.ST43.003	Holder, Pin	Steelzinc plated
	Base	Steel zinc plated
3.ST43.003SN	Holder, Base, Pin	Stainless steel

HINGES

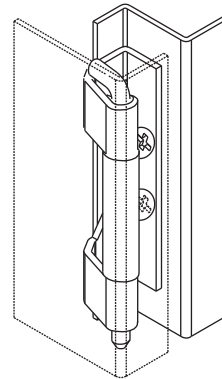
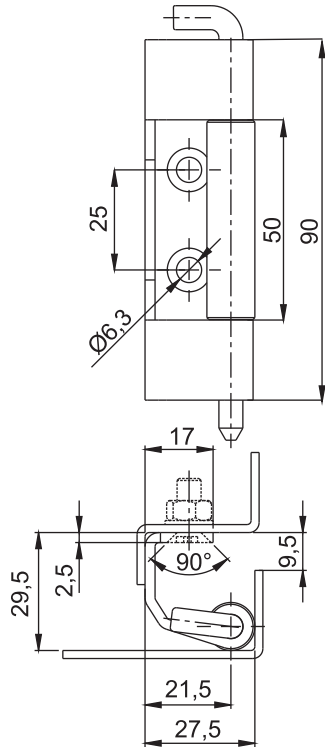
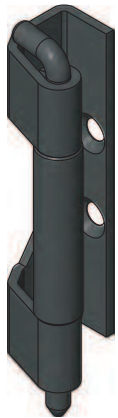
3B



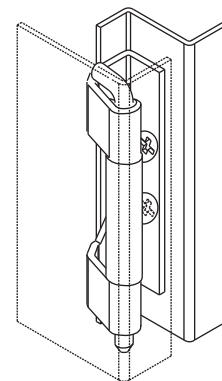
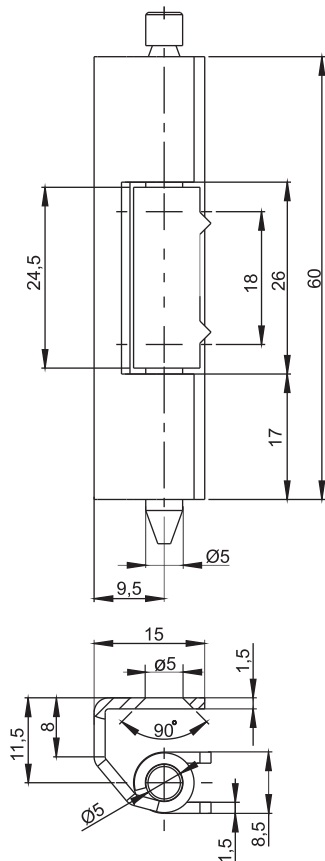
CATALOGUE NUMBER	COMPONENTS	MATERIAL
3.ST43.004*	Holder, Pin	Steel zinc plated
	Base	Steel znic plated
3.ST43.004SN	Holder, Base, Pin	Stainless steel

* - possibility to order the hinge version without cover

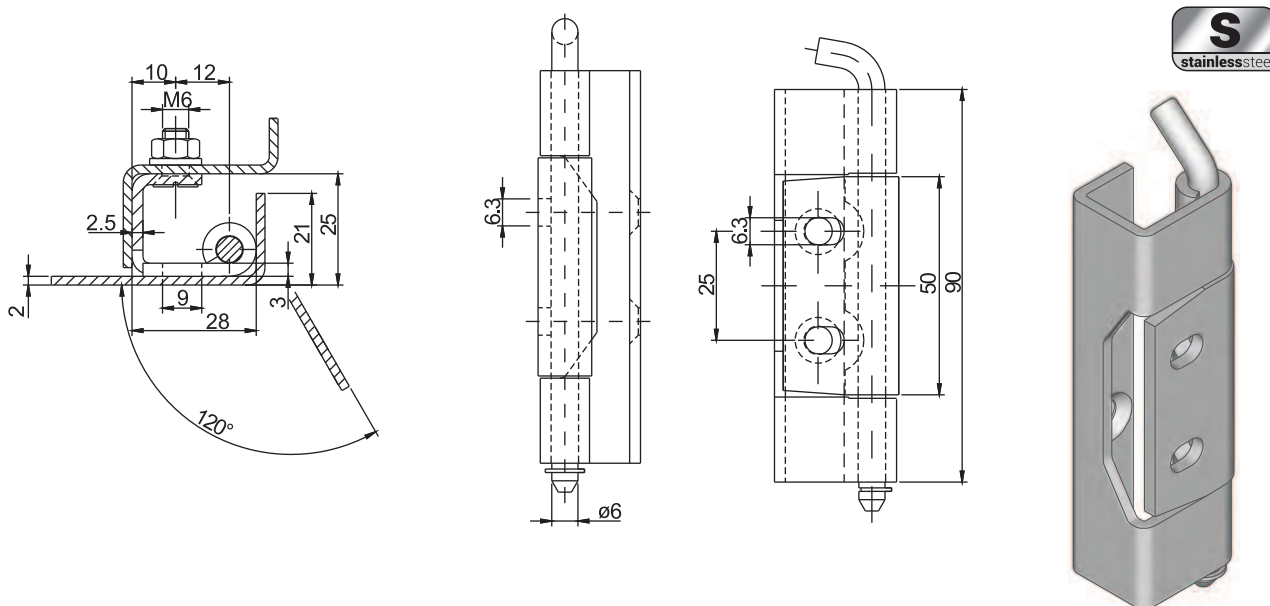
HINGES



CATALOGUE NUMBER	COMPONENTS	MATERIAL
3.ST12-1.001	Base, Pin	Steel zinc plated
	Holder	Steel
3.ST12-1.001SN	Holder, Base, Pin	Stainless steel



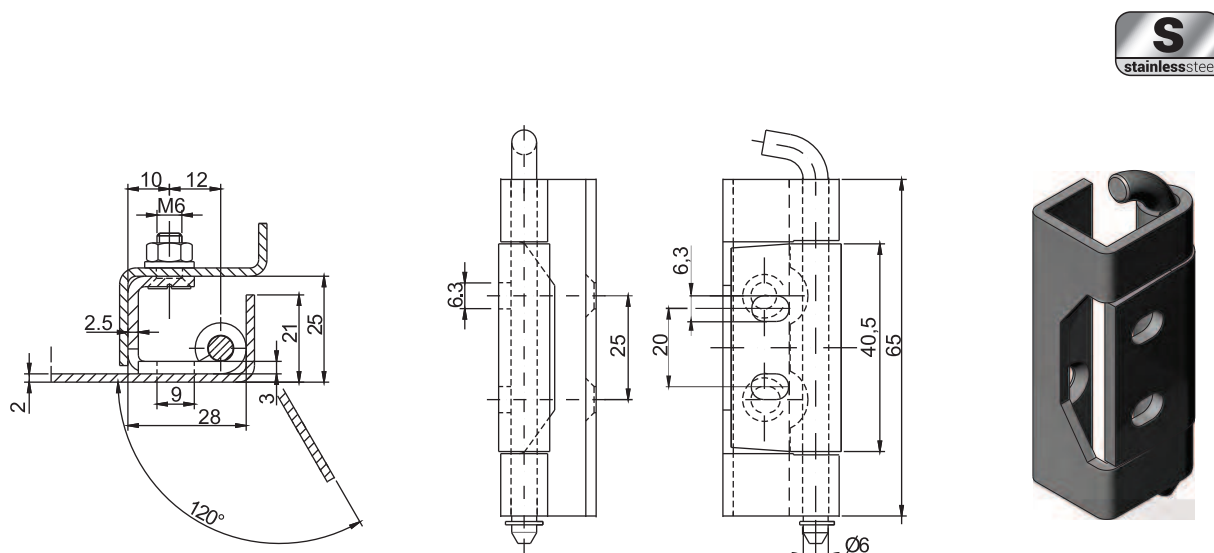
CATALOGUE NUMBER	COMPONENTS	MATERIAL
3.ST32.003	Base, Pin	Steel zinc plated
	Holder	Steel
3.ST32.003SN	Holder, Base, Pin	Stainless steel



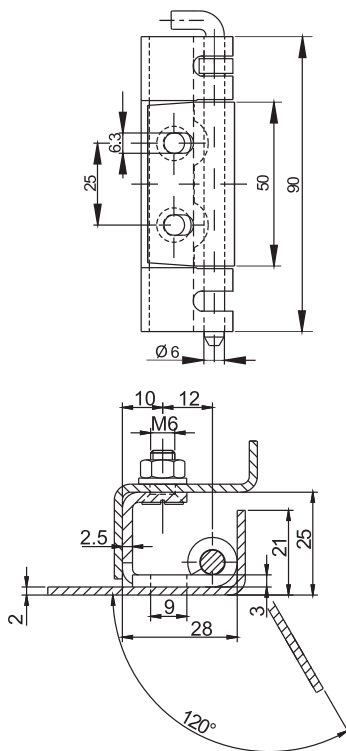
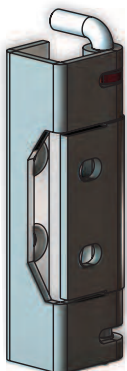
CATALOGUE NUMBER	COMPONENTS	MATERIAL
3.ST12.001	Holder, Base, Pin	Steel zinc plated
3.ST12.001SN	Holder, Base, Pin	Stainless steel

HINGES

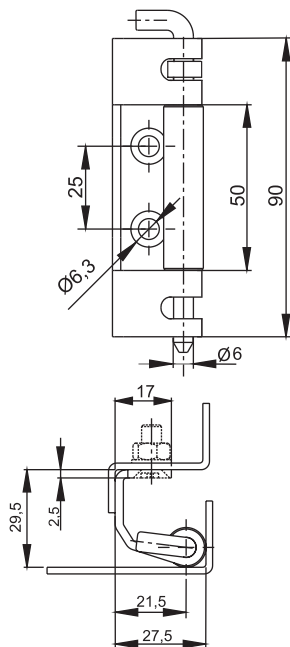
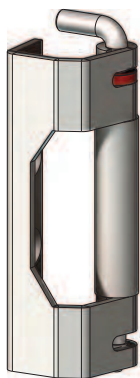
3B



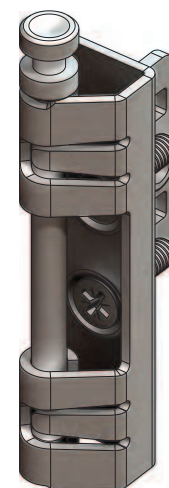
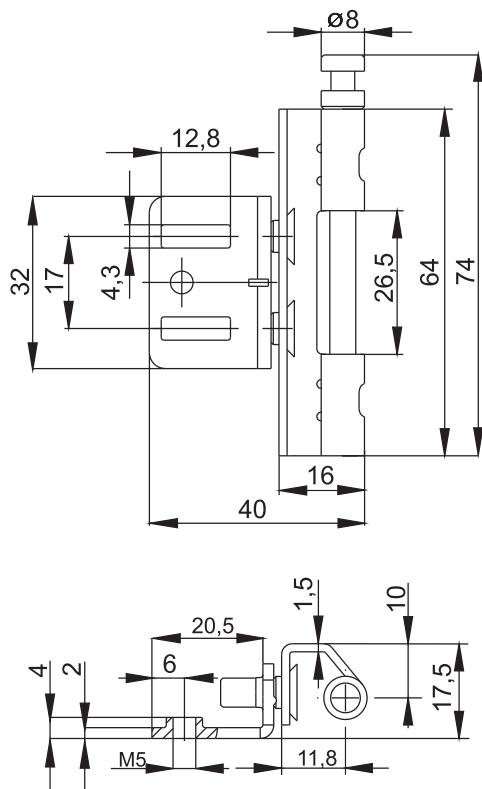
CATALOGUE NUMBER	COMPONENTS	MATERIAL
3.ST12-2.001	Holder, Base, Pin	Steel zinc plated
3.ST12-2.001SN	Holder, Base, Pin	Stainless steel



CATALOGUE NUMBER	COMPONENTS	MATERIAL
3.ST12B.001	Holder, Base, Pin	Steel zinc plated
	Blocade	POM
3.ST12B.001SN	Holder, Base, Pin	Stainless steel

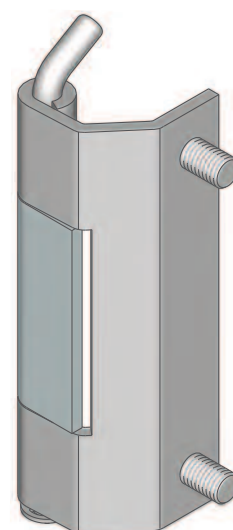
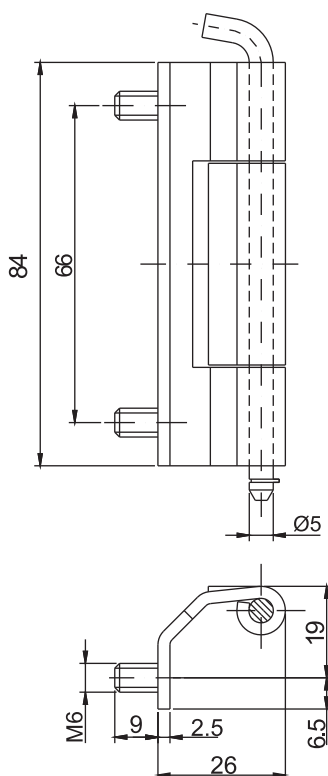


CATALOGUE NUMBER	COMPONENTS	MATERIAL
3.ST12-1B.001	Holder, Base, Pin	Steel zinc plated
	Blocade	POM
3.ST12-1B.001SN	Holder, Base, Pin	Stainless steel

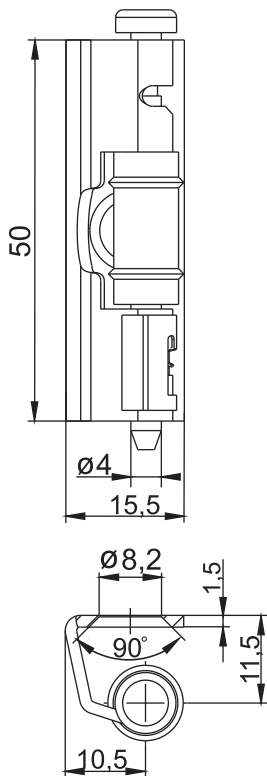


HINGES
3B

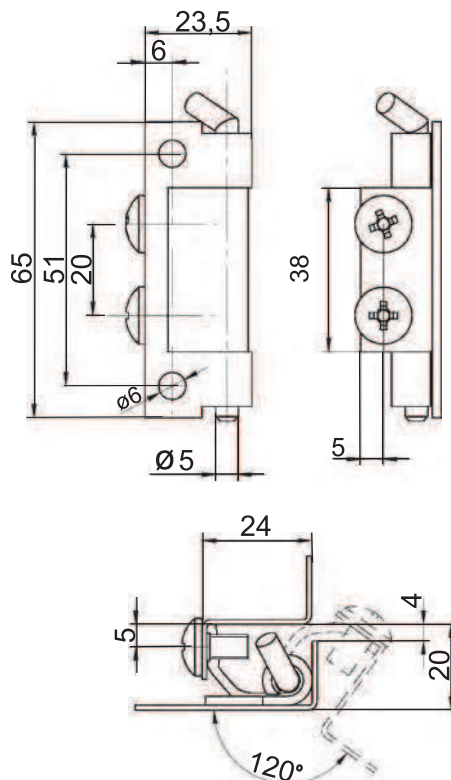
CATALOGUE NUMBER	COMPONENTS	MATERIAL
3.ST76.001	Holder, Base, Pin	Steel zinc plated
3.ST76.001SN	Holder, Base, Pin	Stainless steel



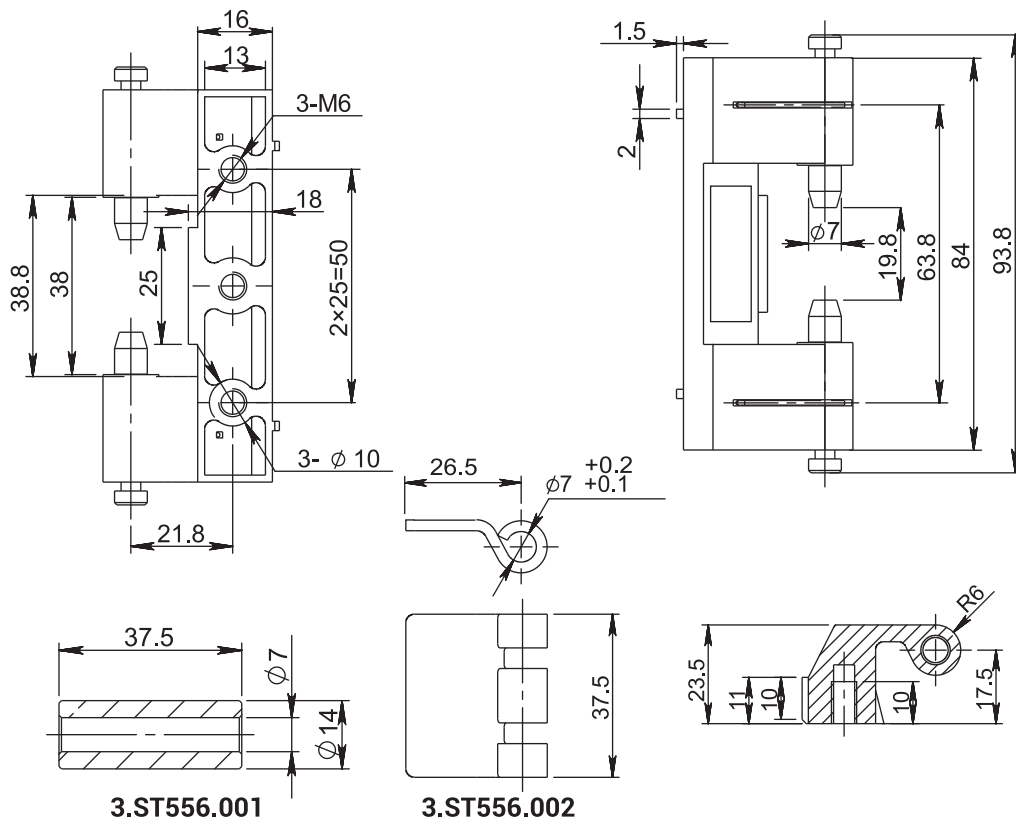
CATALOGUE NUMBER	COMPONENTS	MATERIAL
3.ST19-2.001	Base, Pin	Steel zinc plated
	Holder	Steel
3.ST19-2.001SN	Holder, Base, Pin	Stainless steel

NEW


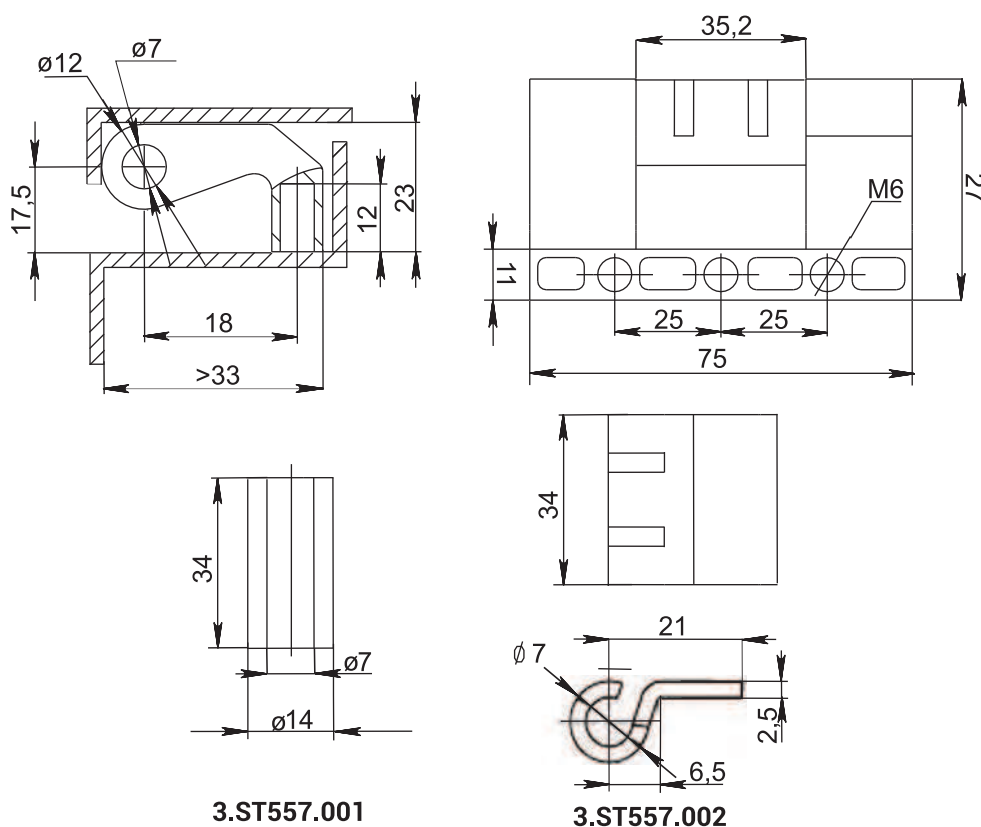
CATALOGUE NUMBER	COMPONENTS	MATERIAL
3.ST32.005	Base, Pin	Steel zinc plated
	Holder	Steel

NEW


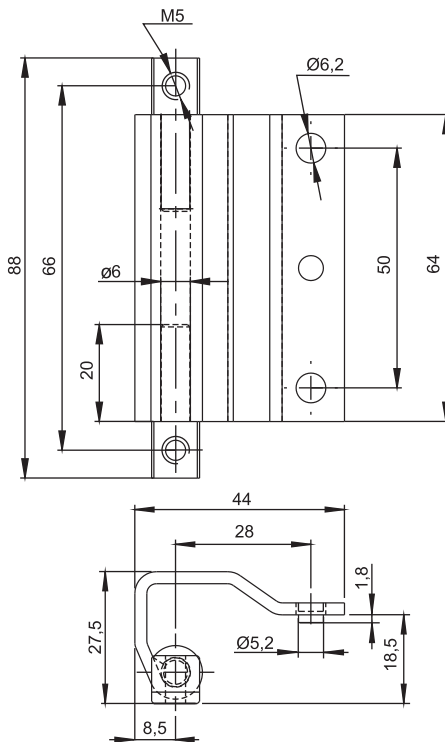
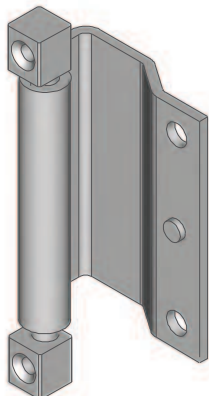
CATALOGUE NUMBER	COMPONENTS	MATERIAL
3.537.001	Holder, Base, Pin	Steel zinc plated
3.537.001SN *	Holder, Base, Pin	Stainless steel



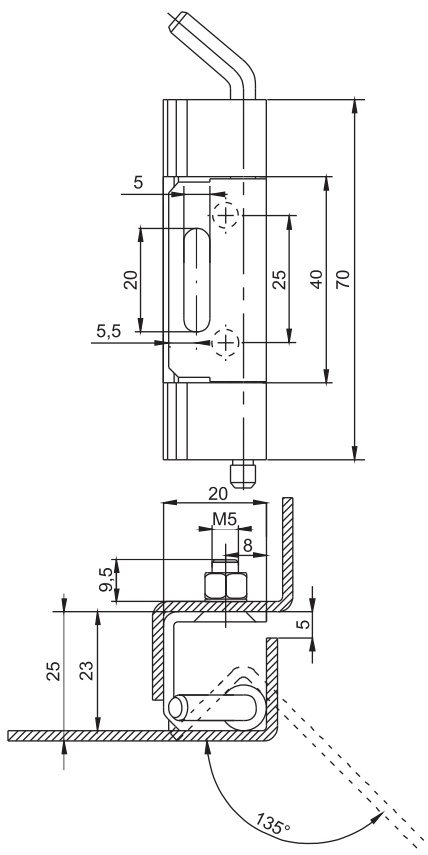
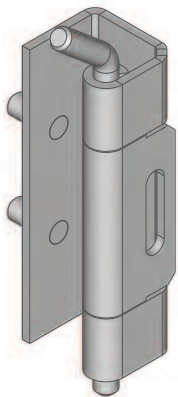
CATALOGUE NUMBER	FINISH	COMPONENTS	MATERIAL
3.ST556.001	RAL 9005	Holder	ZAMAK 5
3.ST556.002	-	Base, Pin	Steel zinc plated



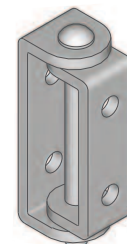
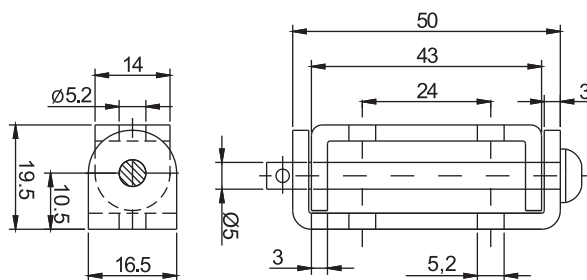
CATALOGUE NUMBER	FINISH	COMPONENTS	MATERIAL
3.ST557.001	RAL 9005	Base	ZAMAK 5
3.ST557.002	-	Holder, Pin	Steel zinc plated



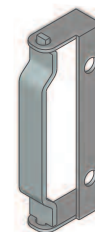
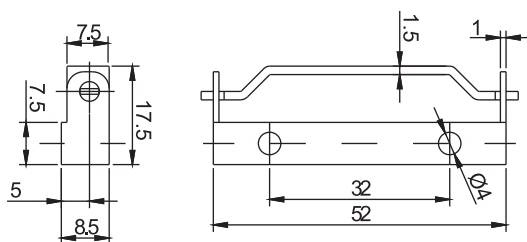
CATALOGUE NUMBER	COMPONENTS	MATERIAL
3.ST40.001	Holder, Base, Pin	Steel zinc plated
3.ST40.001SN	Holder, Base, Pin	Sainless steel



CATALOGUE NUMBER	COMPONENTS	MATERIAL
3.ST41.001	Base, Pin	Steel zinc plated
	Holder	Steel
3.ST41.001SN	Holder, Base, Pin	Sainless steel



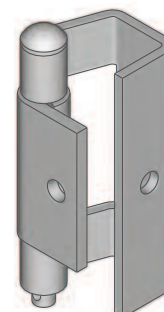
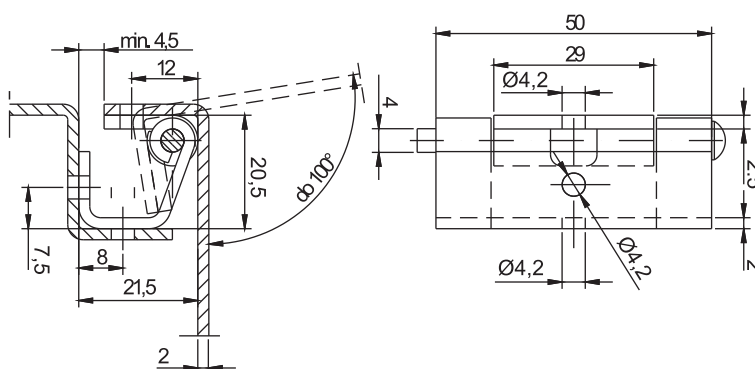
CATALOGUE NUMBER	COMPONENTS	MATERIAL
3.ST10.001	Holder, Base, Pin	Steel zinc plated
3.ST10.001SN	Holder, Base, Pin	Stainless steel



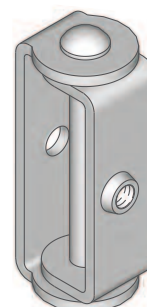
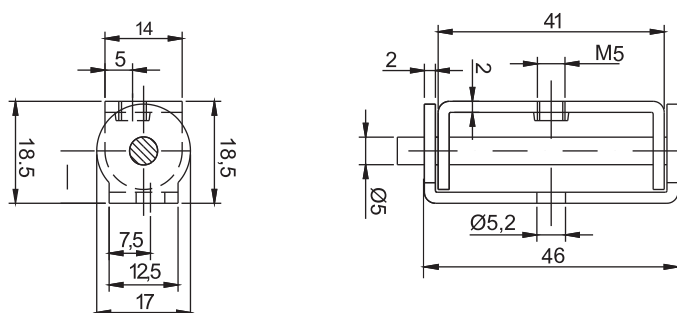
CATALOGUE NUMBER	COMPONENTS	MATERIAL
3.ST11.001	Base, Pin	Steel zinc plated
	Holder	Steel
3.ST11.001SN	Holder, Base, Pin	Sainless steel

HINGES

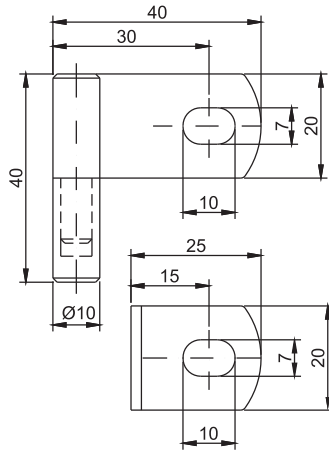
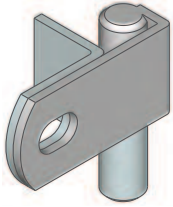
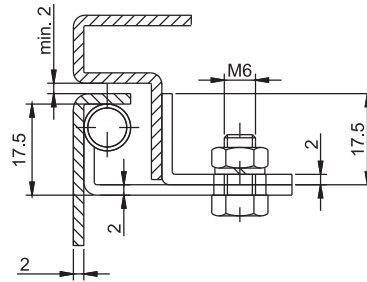
3B



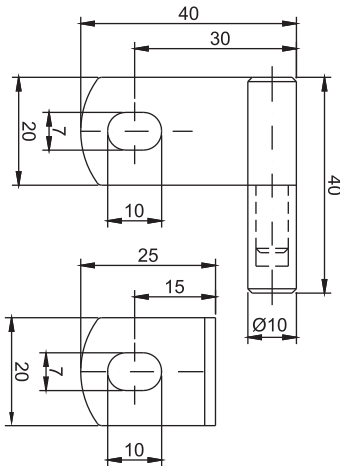
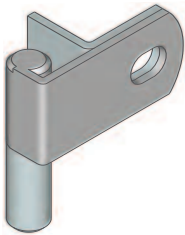
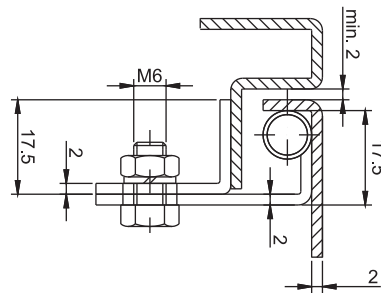
CATALOGUE NUMBER	COMPONENTS	MATERIAL
3.ST14.001	Holder, Base, Pin	Steel zinc plated
3.ST14.001SN	Holder, Base, Pin	Sainless steel



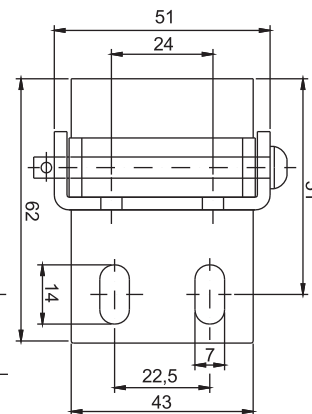
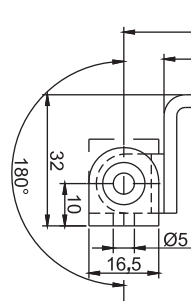
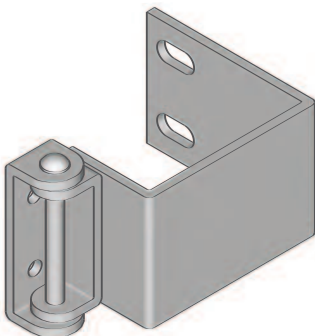
CATALOGUE NUMBER	COMPONENTS	MATERIAL
3.ST15.001	Holder, Base, Pin	Steel zinc plated
3.ST15.001SN	Holder, Base, Pin	Sainless steel


LEFT VERSION


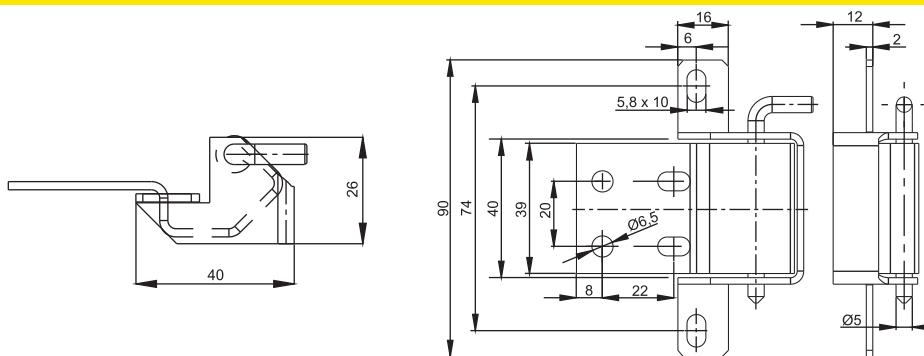
CATALOGUE NUMBER	COMPONENTS	MATERIAL
3.ST8.001	Fixed holder (screws)	Steel zinc plated
	Welded base	Steel
3.ST8.001SN	Holder, Base	Sainless steel


RIGHT VERSION


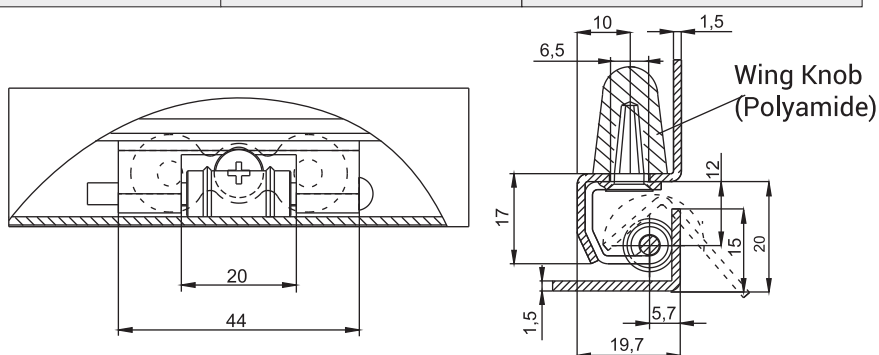
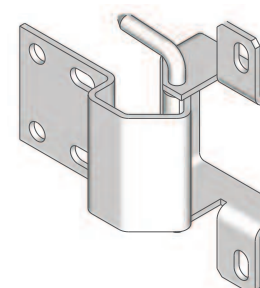
CATALOGUE NUMBER	COMPONENTS	MATERIAL
3.ST8.002	Fixed holder (screws)	Steel zinc plated
	Welded base	Steel
3.ST8.002SN	Holder, Base	Sainless steel



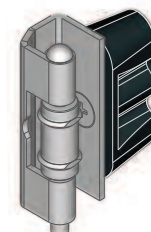
CATALOGUE NUMBER	COMPONENTS	MATERIAL
3.ST9.001	Holder, Base, Pin	Steel zinc plated
3.ST9.001SN	Holder, Base, Pin	Sainless steel



CATALOGUE NUMBER	COMPONENTS	MATERIAL
3.ST31.001	Holder, Base, Pin	Steel zinc plated
3.ST31.001SN	Holder, Base, Pin	Stainless steel

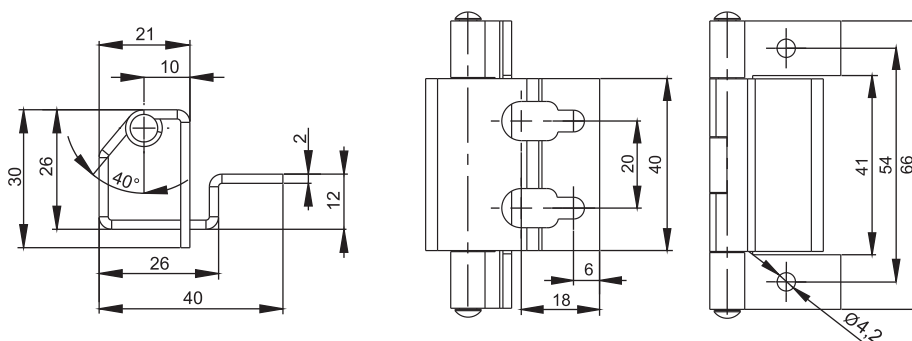


CATALOGUE NUMBER	COMPONENTS	MATERIAL
3.ST32.001	Base, Pin	Steel zinc plated
	Holder	Steel
3.ST32.001SN	Holder, Base, Pin	Stainless steel

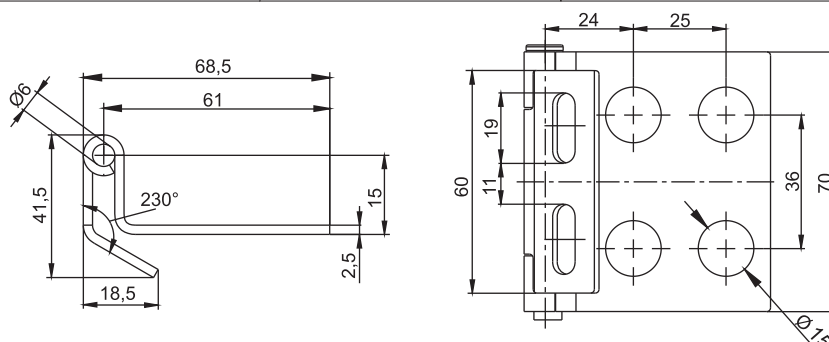
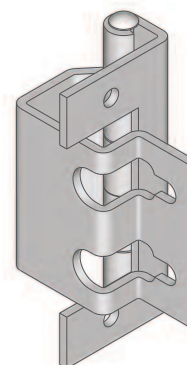


HINGES

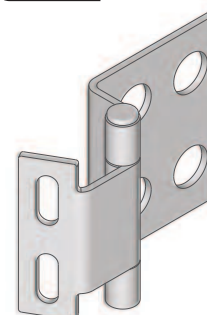
3B

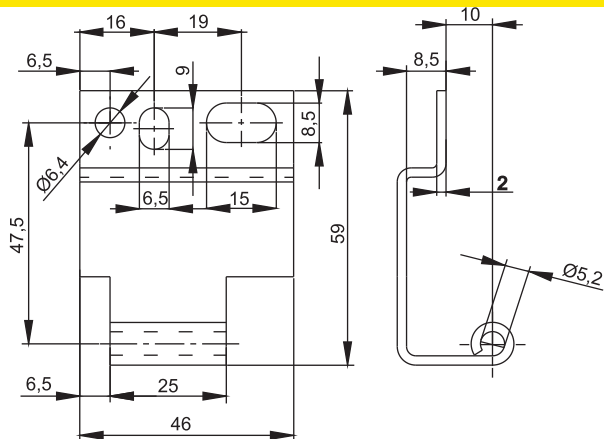
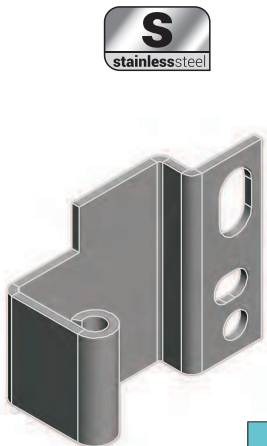


CATALOGUE NUMBER	COMPONENTS	MATERIAL
3.ST33.001	Holder, Base, Pin	Steel zinc plated
3.ST33.001SN	Holder, Base, Pin	Stainless steel



CATALOGUE NUMBER	COMPONENTS	MATERIAL
3.ST34.001	Holder, Base, Pin	Steel zinc plated
3.ST34.001SN	Holder, Base, Pin	Stainless steel

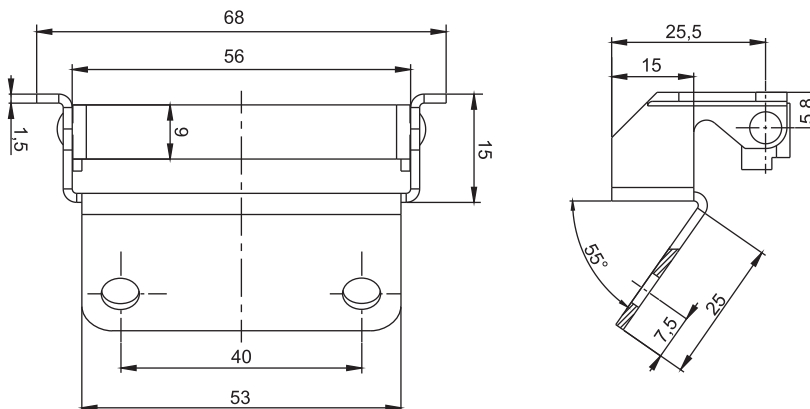
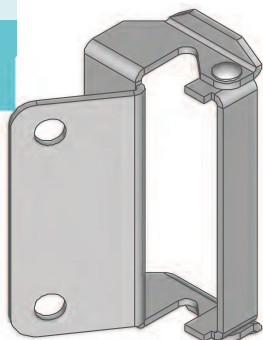




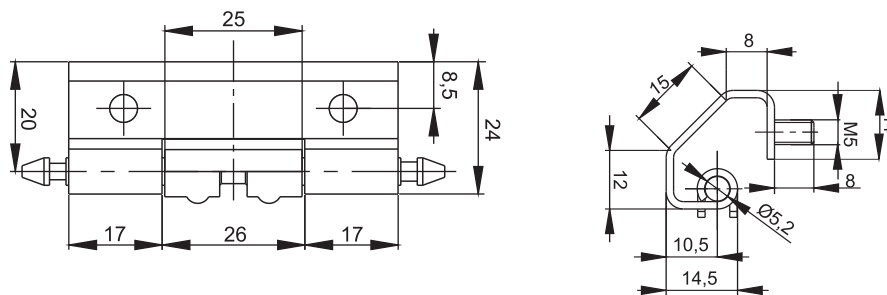
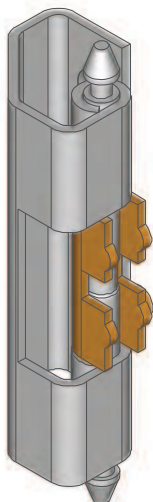
CATALOGUE NUMBER	COMPONENTS	MATERIAL
3.ST36.001	Holder	Steel
3.ST36.001SN	Holder, Base	Stainless steel

HINGES

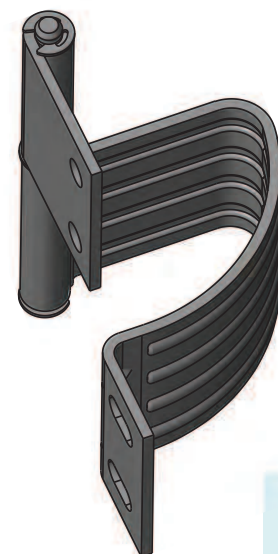
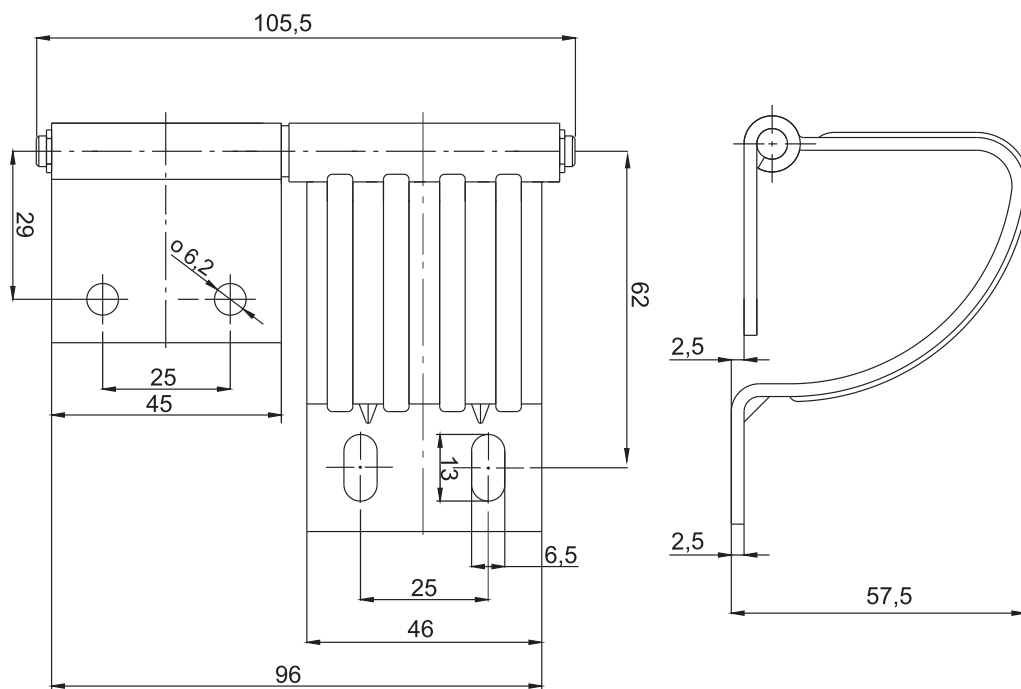
3B



CATALOGUE NUMBER	COMPONENTS	MATERIAL
3.ST38.001	Holder, Base, Pin	Steel zinc plated
3.ST38.001SN	Holder, Base, Pin	Stainless steel



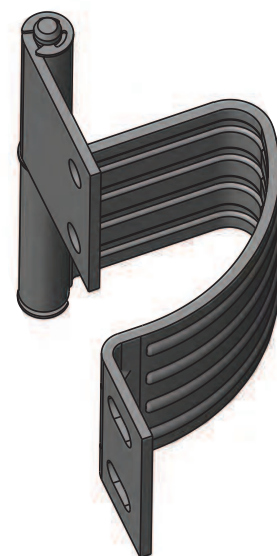
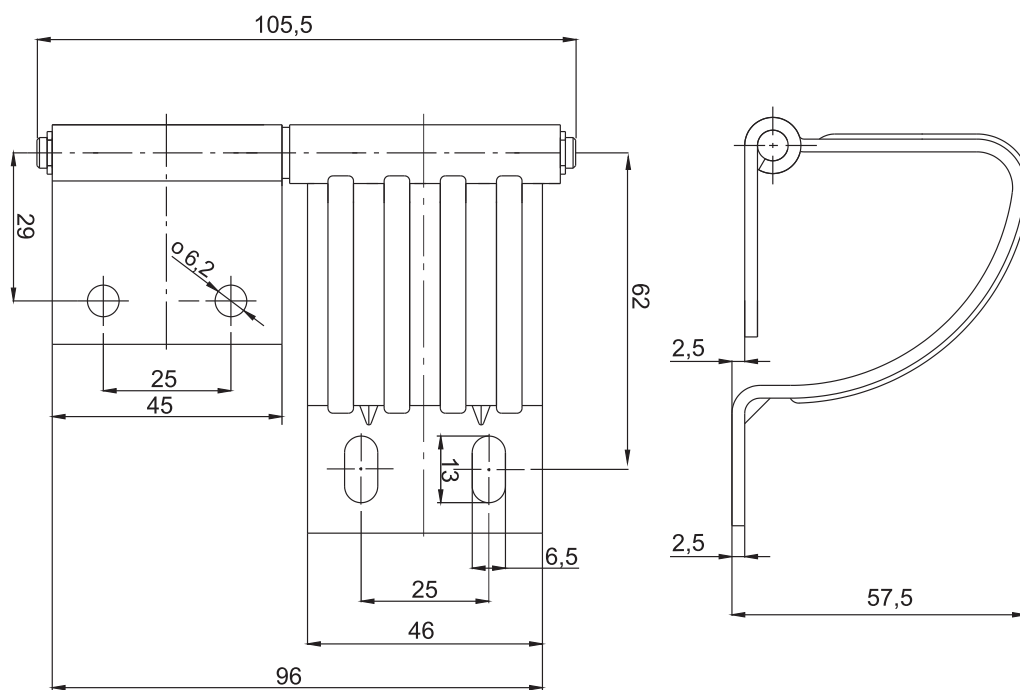
CATALOGUE NUMBER	COMPONENTS	MATERIAL
3.ST39.001	Base, Pin	Steel zinc plated
	Holder	Steel
3.ST39.001SN	Holder, Base, Pin	Stainless steel



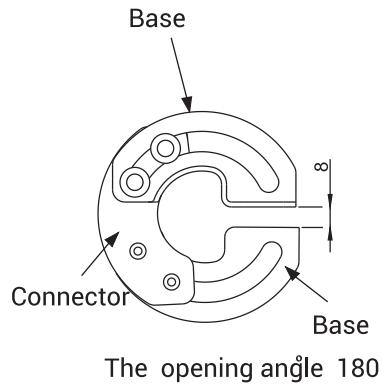
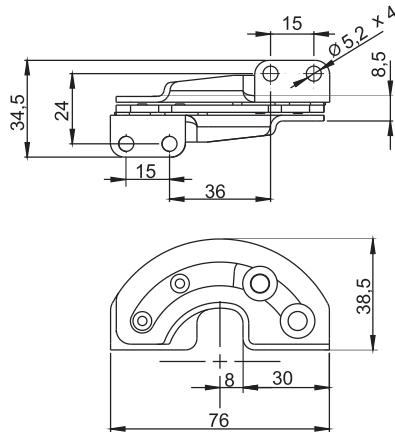
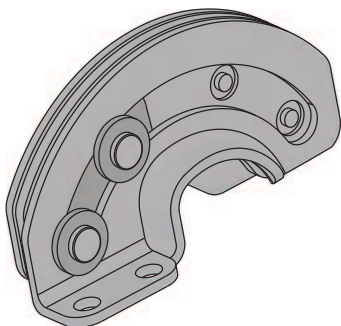
CATALOGUE NUMBER	COMPONENTS	MATERIAL
3.ST95.001	Holder, Base, Pin	Steel zinc plated

HINGES

3B



CATALOGUE NUMBER	COMPONENTS	MATERIAL
3.ST95.002	Holder, Base, Pin	Stainless steel

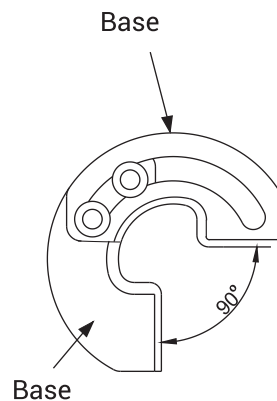
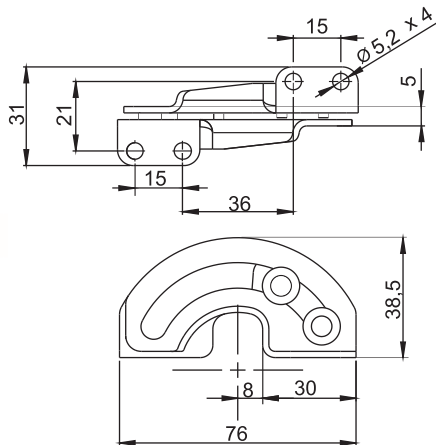
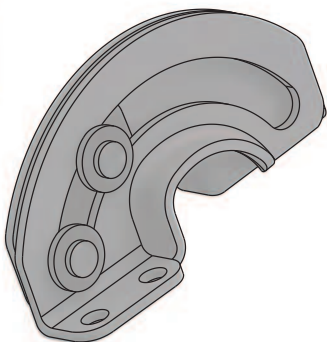


CATALOGUE NUMBER	COMPONENTS	MATERIAL
3.ST98.001	Base, Connector	Steel zinc plated
3.ST98.002	Base, Connector	Stainless steel

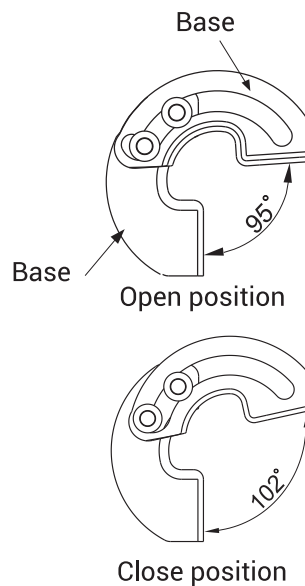
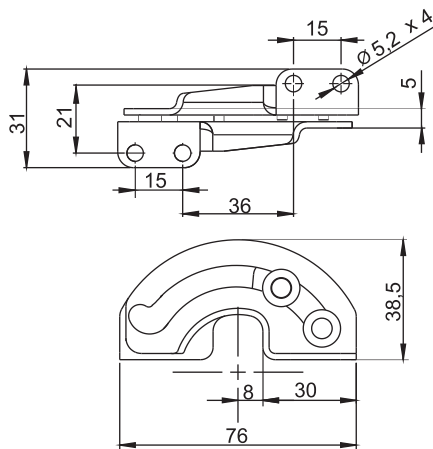
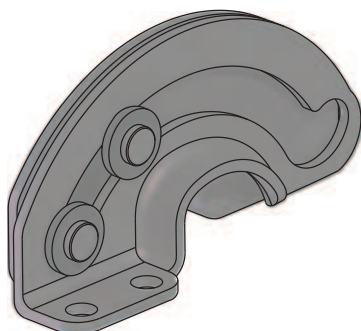


HINGES

3B

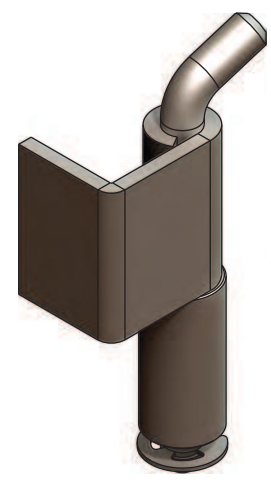
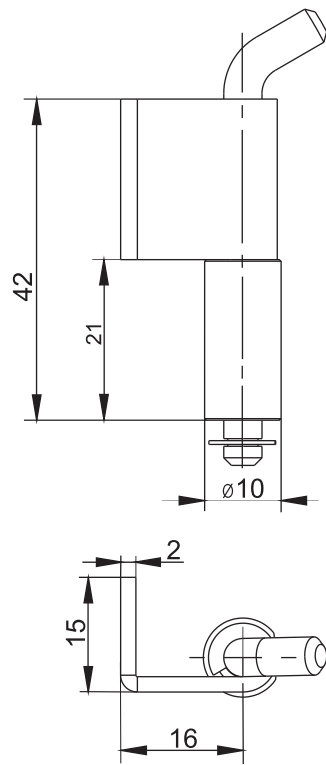


CATALOGUE NUMBER	COMPONENTS	MATERIAL
3.ST98.003	Base	Steel zinc plated
3.ST98.004	Base	Stainless steel



CATALOGUE NUMBER	COMPONENTS	MATERIAL
3.ST98.005	Base	Steel zinc plated
3.ST98.006	Base	Stainless steel

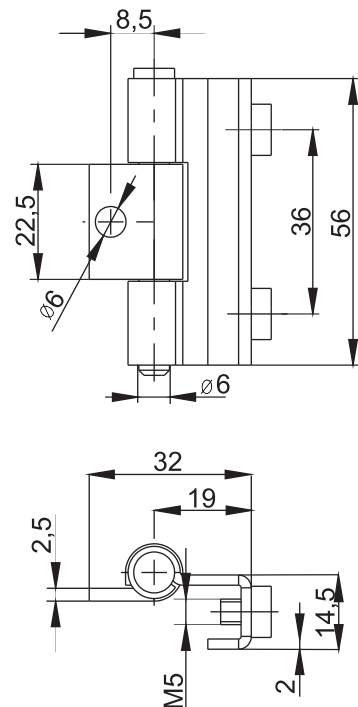
NEW



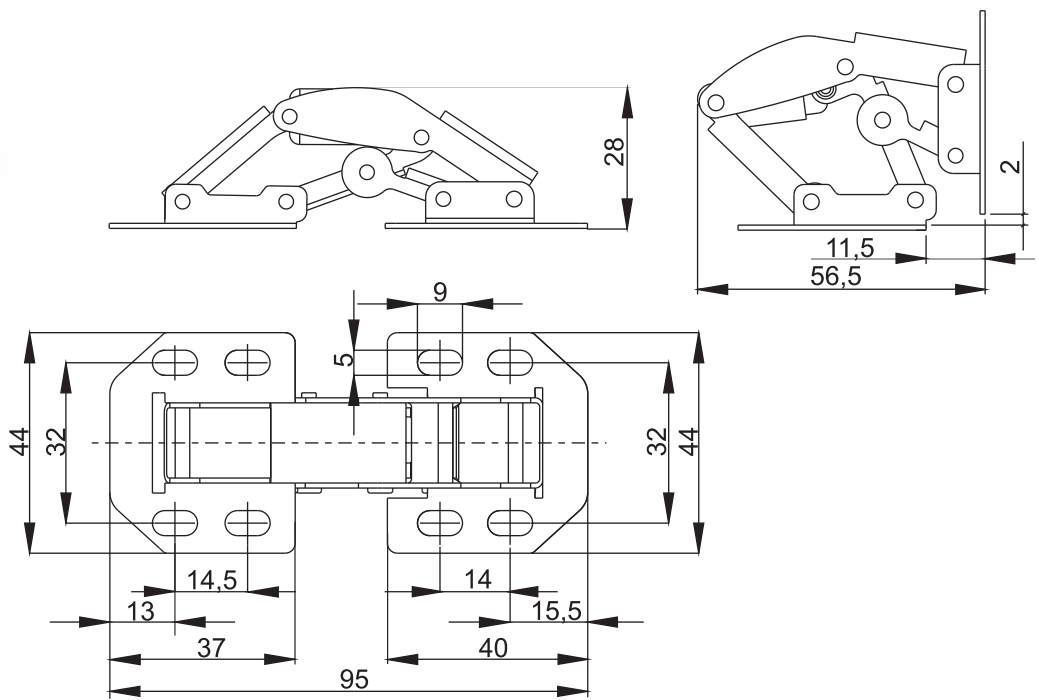
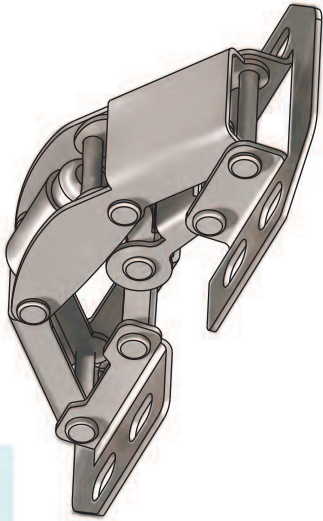
HINGES
3B

CATALOGUE NUMBER	COMPONENTS	MATERIAL
3.ST105.001	Holder, Base	Steel
	Pin	Steel zinc plated

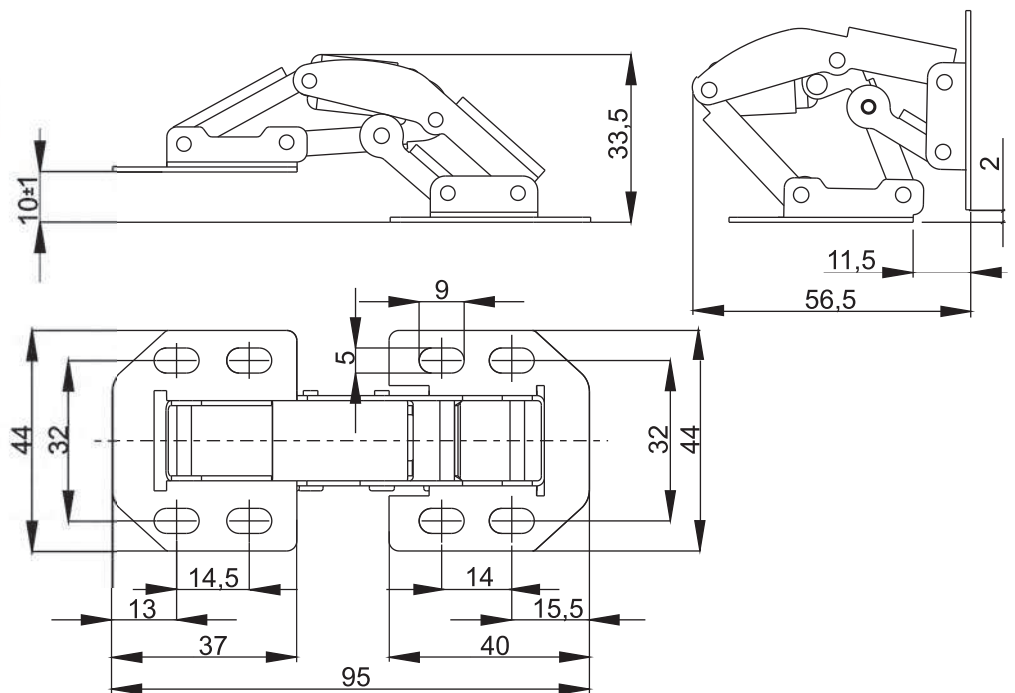
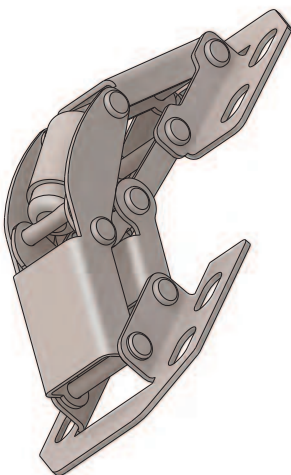
NEW



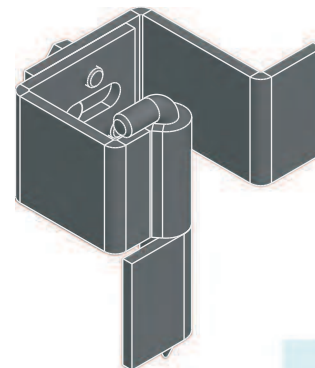
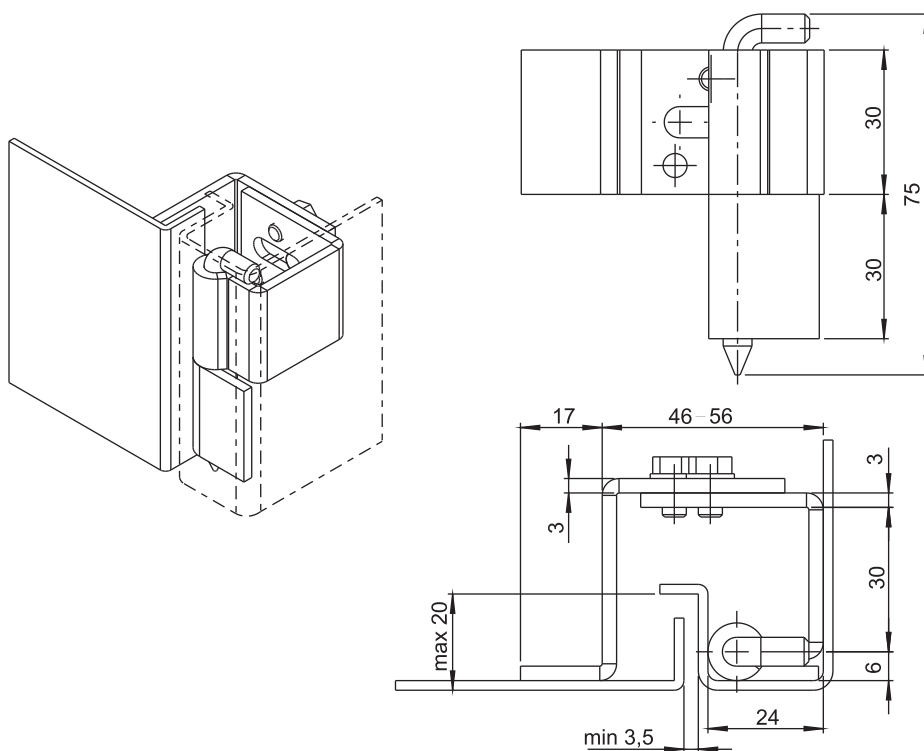
CATALOGUE NUMBER	COMPONENTS	MATERIAL
3.ST112.001	Base, Pin	Steel zinc plated
	Holder	Copper-clad steel



CATALOGUE NUMBER	COMPONENTS	MATERIAL
3.ST100.001	Base, Pin, Rivet	Steel zinc plated
3.ST100.001SN	Base, Pin, Rivet	Stainless steel



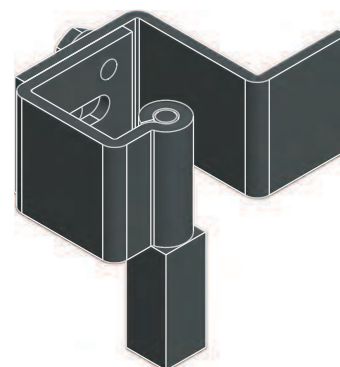
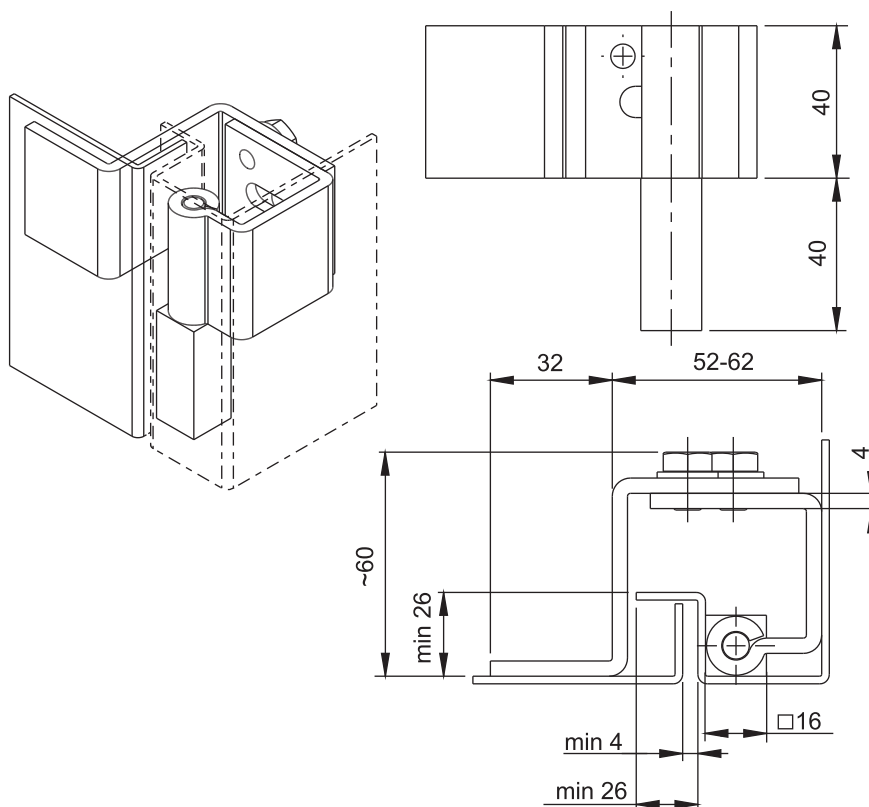
CATALOGUE NUMBER	COMPONENTS	MATERIAL
3.ST100.002	Base, Pin, Rivet	Steel zinc plated
3.ST100.002SN	Base, Pin, Rivet	Stainless steel



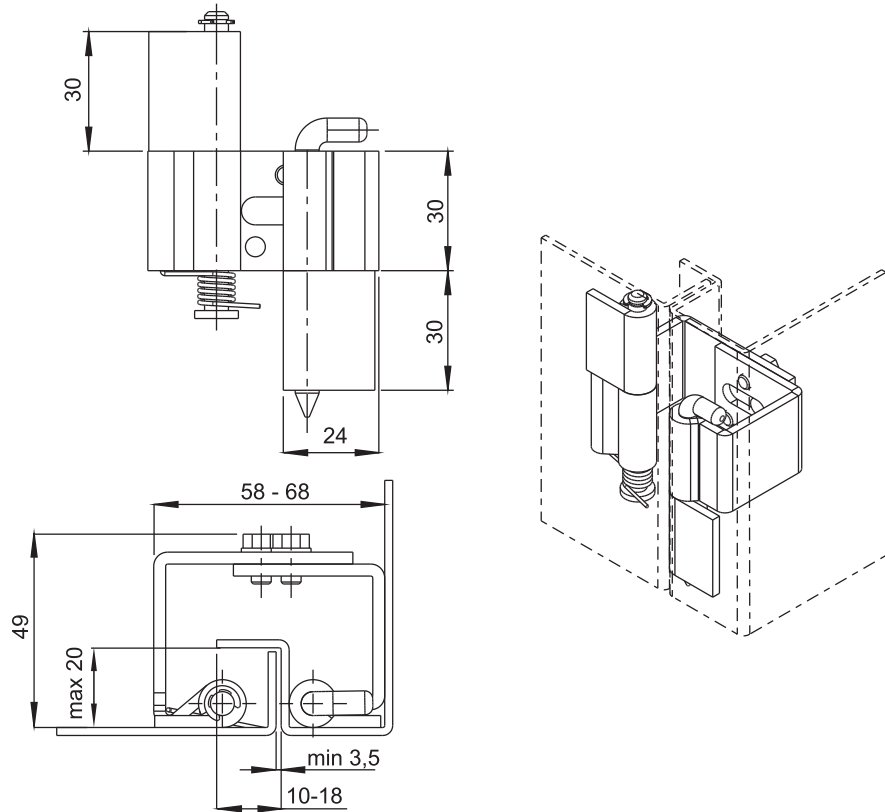
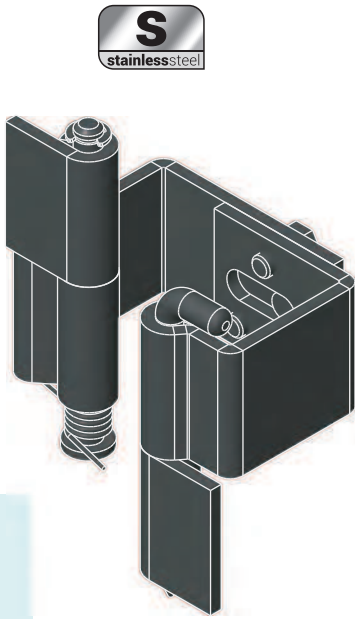
HINGES

3B

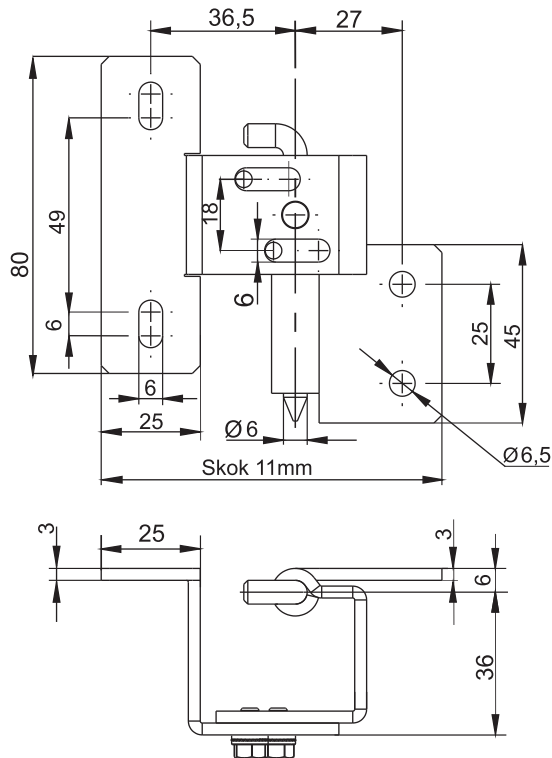
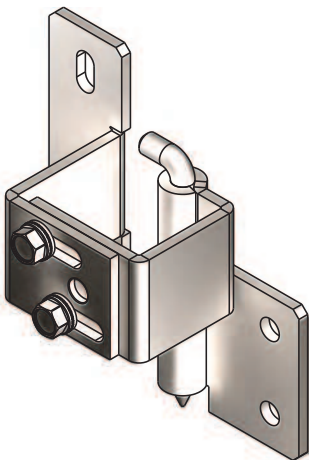
CATALOGUE NUMBER	COMPONENTS	MATERIAL
3.ST46.001	Holder, Pin	Steel
	Base	Steel zinc plated
3.ST46.001SN	Holder, Base, Pin	Stainless steel



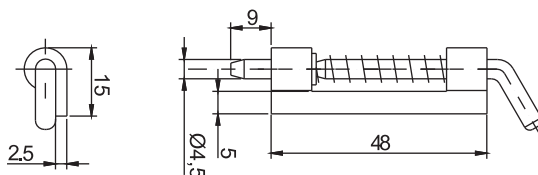
CATALOGUE NUMBER	COMPONENTS	MATERIAL
3.ST46-2.001	Holder, Pin	Steel
	Base	Steel zinc plated
3.ST46-2.001SN	Holder, Base, Pin	Stainless steel



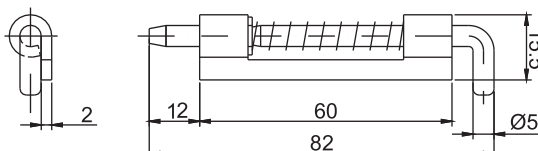
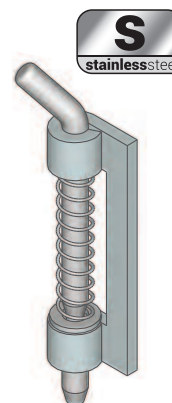
CATALOGUE NUMBER	COMPONENTS	MATERIAL
3.ST46-3.002	Holder, Pin	Steel zinc plated
	Base	Steel
3.ST46-3.002SN	Holder, Base, Pin	Stainless steel

NEW


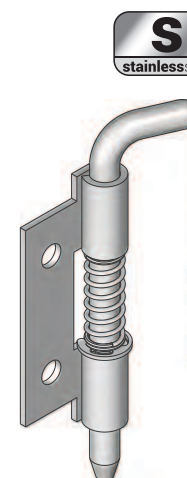
CATALOGUE NUMBER	COMPONENTS	MATERIAL
3.ST46-4.001	Holder, Base, Pin	Steel zinc plated
3.ST46-4.001SN	Holder, Base, Pin	Stainless steel



CATALOGUE NUMBER	COMPONENTS	MATERIAL
3.ST20.001	Holder	Steel
	Pin	Steel zinc plated
3.ST20.001SN	Holder, Pin	Stainless steel

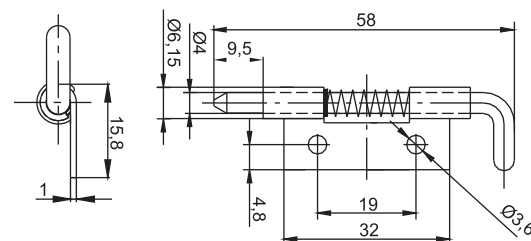


CATALOGUE NUMBER	COMPONENTS	MATERIAL
3.ST20.002	Holder	Steel
	Pin	Steel zinc plated
3.ST20.002SN	Holder, Pin	Stainless steel

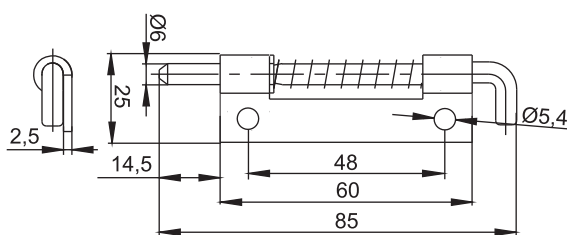


HINGES

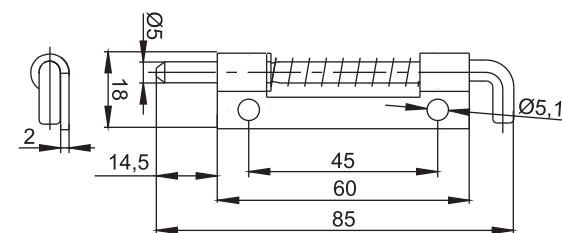
3B



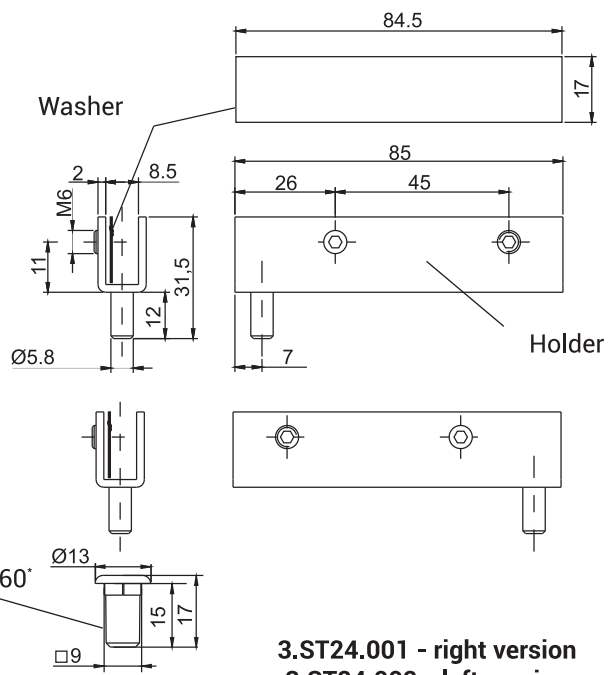
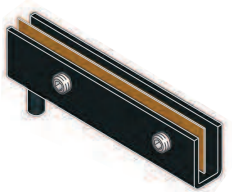
CATALOGUE NUMBER	COMPONENTS	MATERIAL
3.ST20.003	Holder, Pin	Steel zinc plated
3.ST20.003SN	Holder, Pin	Stainless steel



CATALOGUE NUMBER	COMPONENTS	MATERIAL
3.ST20.004	Holder, Pin	Steel zinc plated
3.ST20.004SN	Holder, Pin	Stainless steel



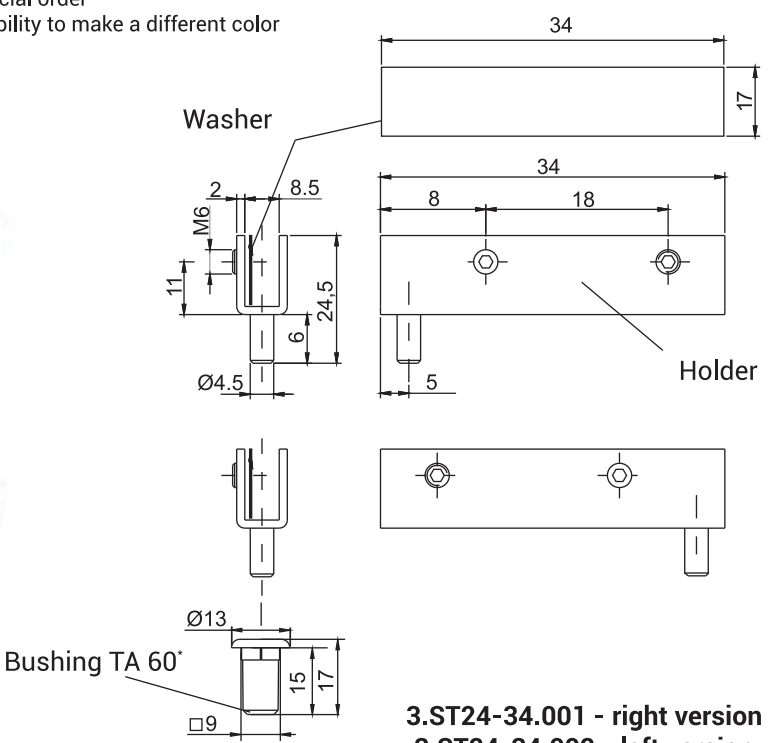
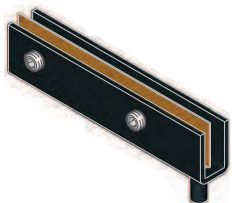
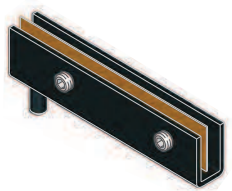
CATALOGUE NUMBER	COMPONENTS	MATERIAL
3.ST20.005	Holder, Pin	Steel zinc plated
3.ST20.005SN	Holder, Pin	Stainless steel



3.ST24.001 - right version
3.ST24.002 - left version

CATALOGUE NUMBER	FINISH	COMPONENTS	MATERIAL
3.ST24.001	RAL9005, 7035**	Holder	Steel zinc plated
		Washer	Brass
3.ST24.002	RAL9005, 7035**	Holder	Steel zinc plated
		Washer	Brass

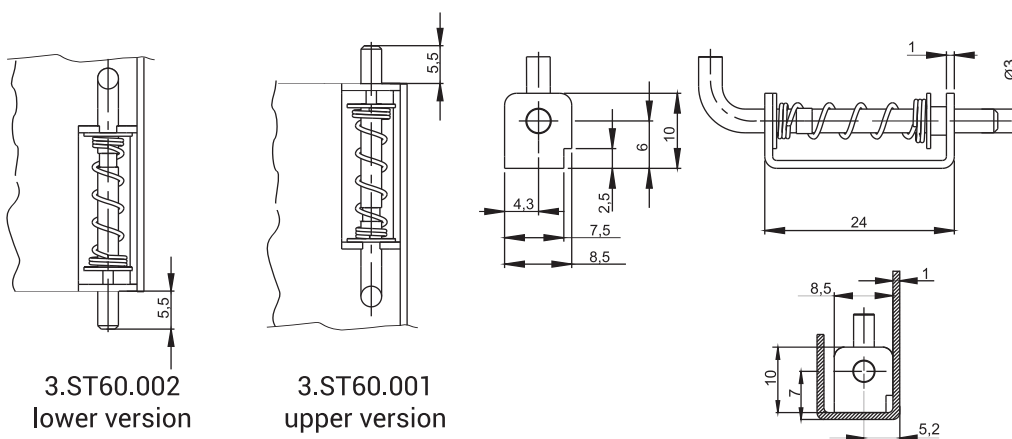
* to special order
** possibility to make a different color



3.ST24-34.001 - right version
3.ST24-34.002 - left version

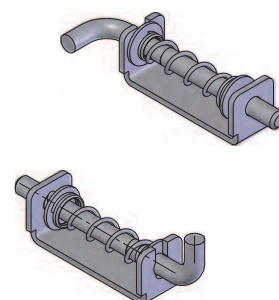
CATALOGUE NUMBER	FINISH	COMPONENTS	MATERIAL
3.ST24-34.001	RAL9005, 7035**	Holder	Steel zinc plated
		Washer	Brass
3.ST24-34.002	RAL9005, 7035**	Holder	Steel zinc plated
		Washer	Brass

* to special order
** possibility to make a different color



3.ST60.002
lower version

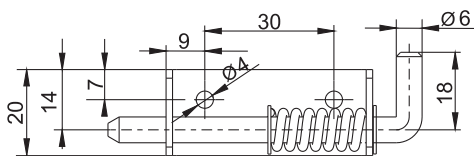
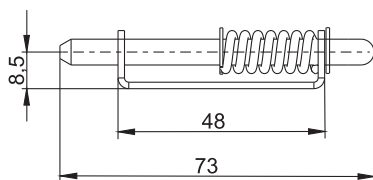
3.ST60.001
upper version



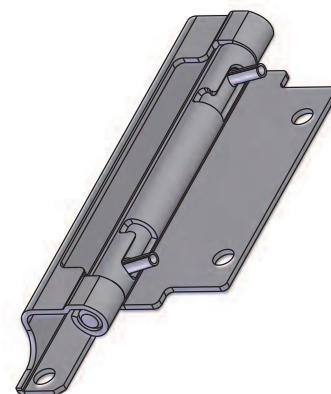
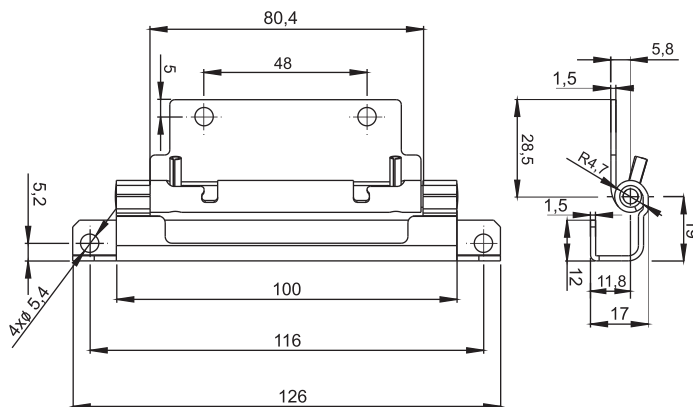
CATALOGUE NUMBER	COMPONENTS	MATERIAL
3.ST60.001	Holder	Steel
3.ST60.002	Pin	Steel zinc plated
3.ST60.001SN 3.ST60.002SN	Holder, Pin	Stainless steel



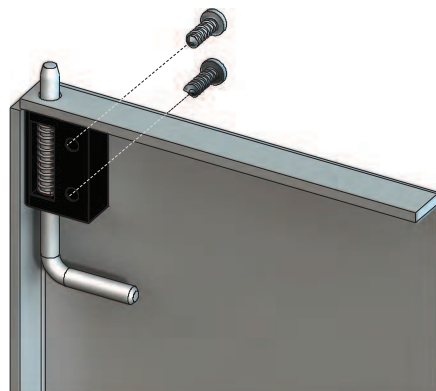
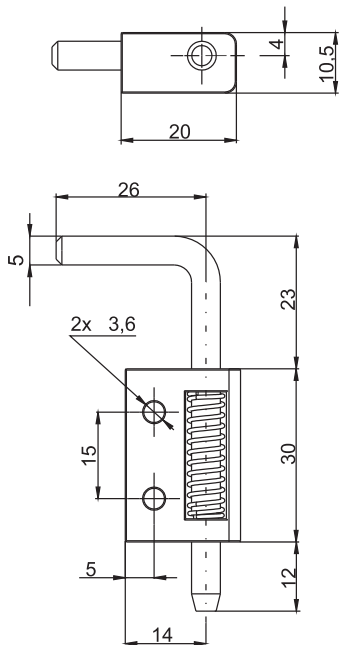
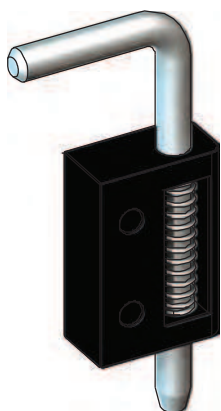
HINGES
3B



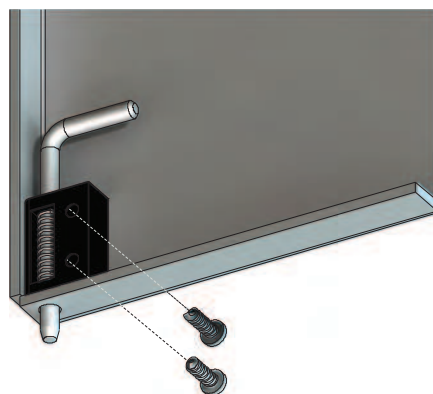
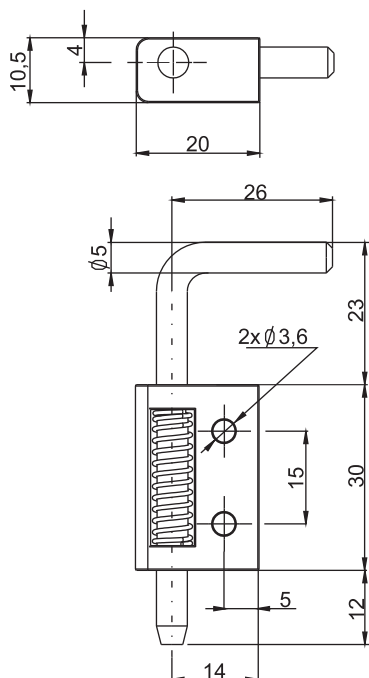
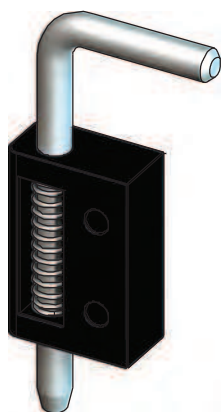
CATALOGUE NUMBER	COMPONENTS	MATERIAL
3.ST60.003	Holder, Pin	Steel zinc plated
3.ST60.004	Holder, Pin	Steel zinc plated



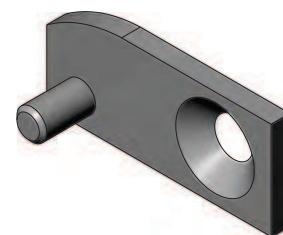
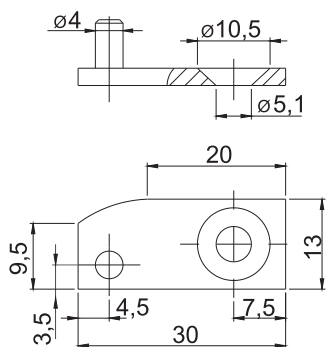
CATALOGUE NUMBER	COMPONENTS	MATERIAL
3.ST65.001	Holder, Base, Pin	Steel zinc plated



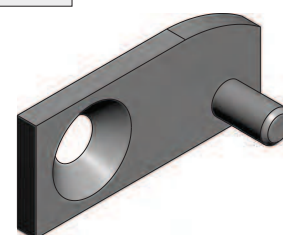
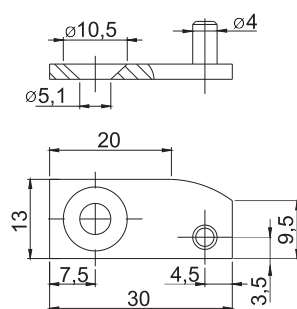
CATALOGUE NUMBER	FNISH	COMPONENTS	MATERIAL
3.ST94.001	RAL9005	Holder	Polyamide
		Pin	Steel zinc plated



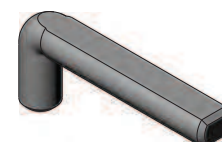
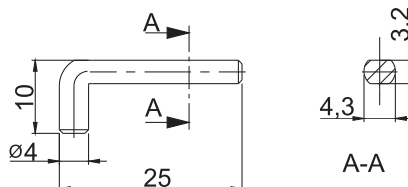
CATALOGUE NUMBER	FNISH	COMPONENTS	MATERIAL
3.ST94.002	RAL9005	Holder	Polyamide
		Pin	Steel zinc plated



CATALOGUE NUMBER	COMPONENTS	MATERIAL
3.ST67.001	Holder	Steel zinc plated



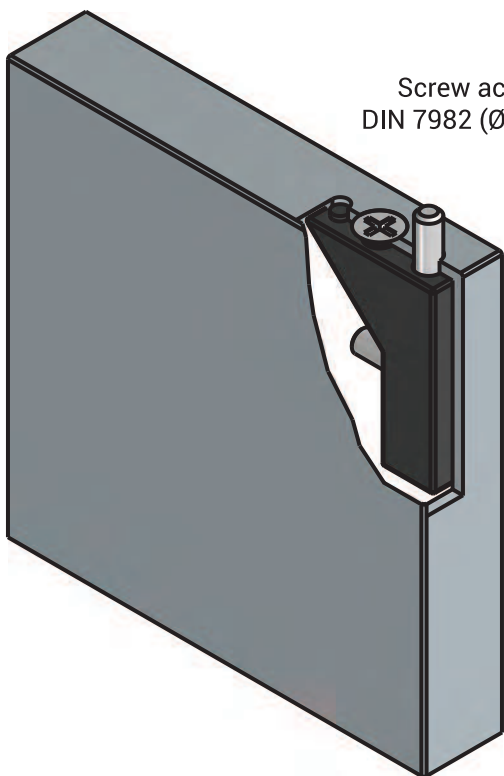
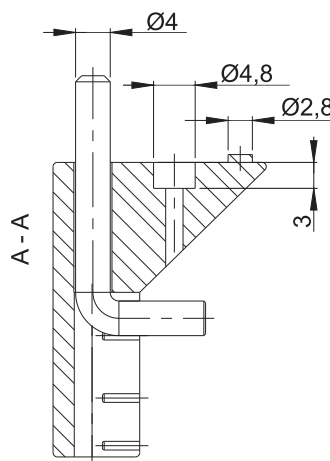
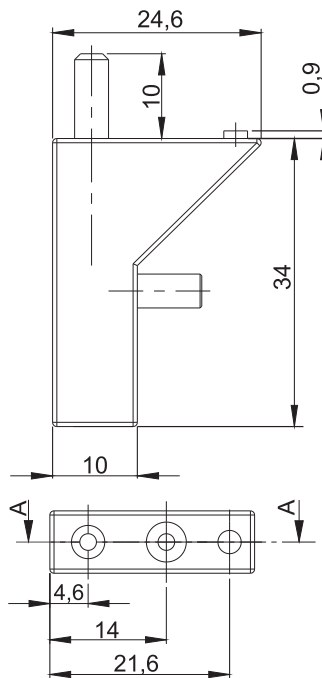
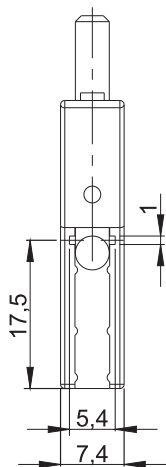
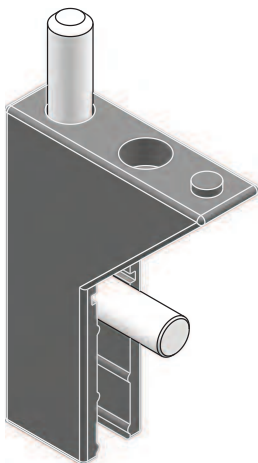
CATALOGUE NUMBER	COMPONENTS	MATERIAL
3.ST67.003	Holder	Steel zinc plated



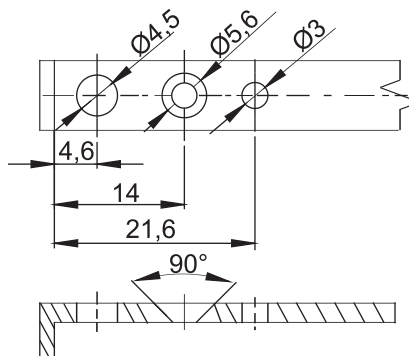
CATALOGUE NUMBER	COMPONENTS	MATERIAL
3.ST67.001.03	Pin	Steel



HINGES
3B

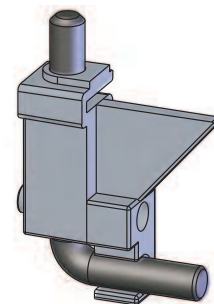
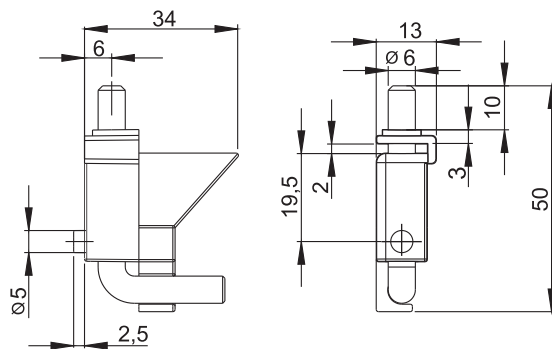


Screw acc. to
DIN 7982 (Ø2,9x10)

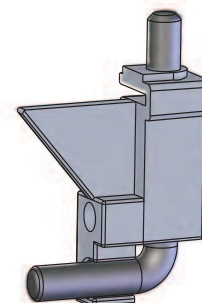
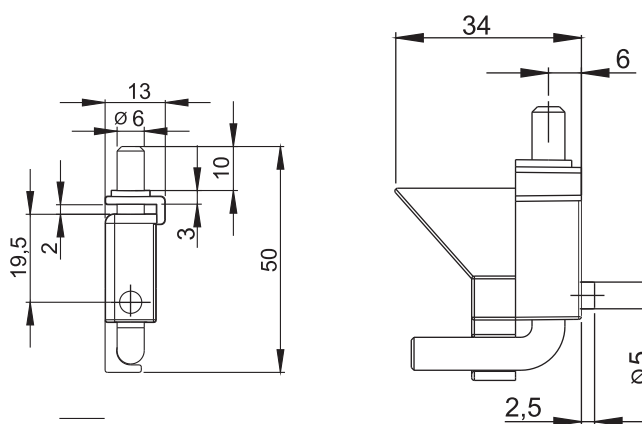


MOUNTING HOLE

CATALOGUE NUMBER	FNISH	COMPONENTS	MATERIAL
3.ST84.001	RAL9005	Holder	Polyamide
		Pin	Steel zinc plated

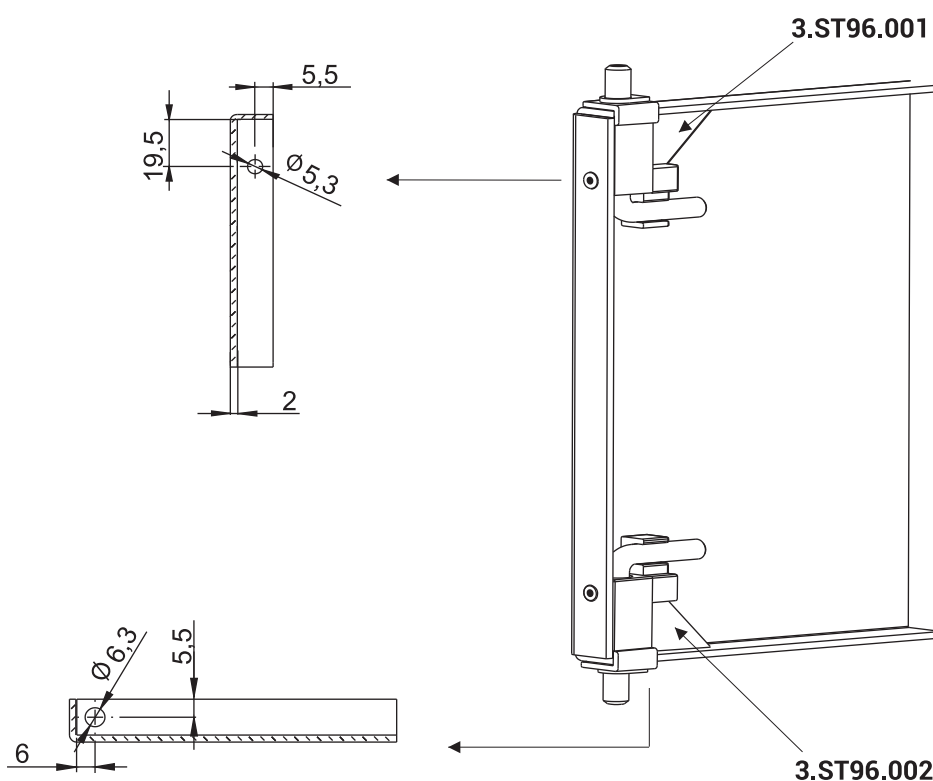


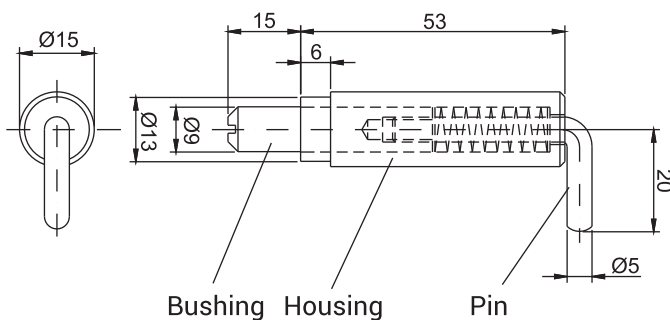
CATALOGUE NUMBER	FNISH	COMPONENTS	MATERIAL
3.ST96.001	RAL 9005	Holder	PP
		Pin	Steel zinc plated



HINGES
3B

CATALOGUE NUMBER	FNISH	COMPONENTS	MATERIAL
3.ST96.002	RAL 9005	Holder	PP
		Pin	Steel zinc plated

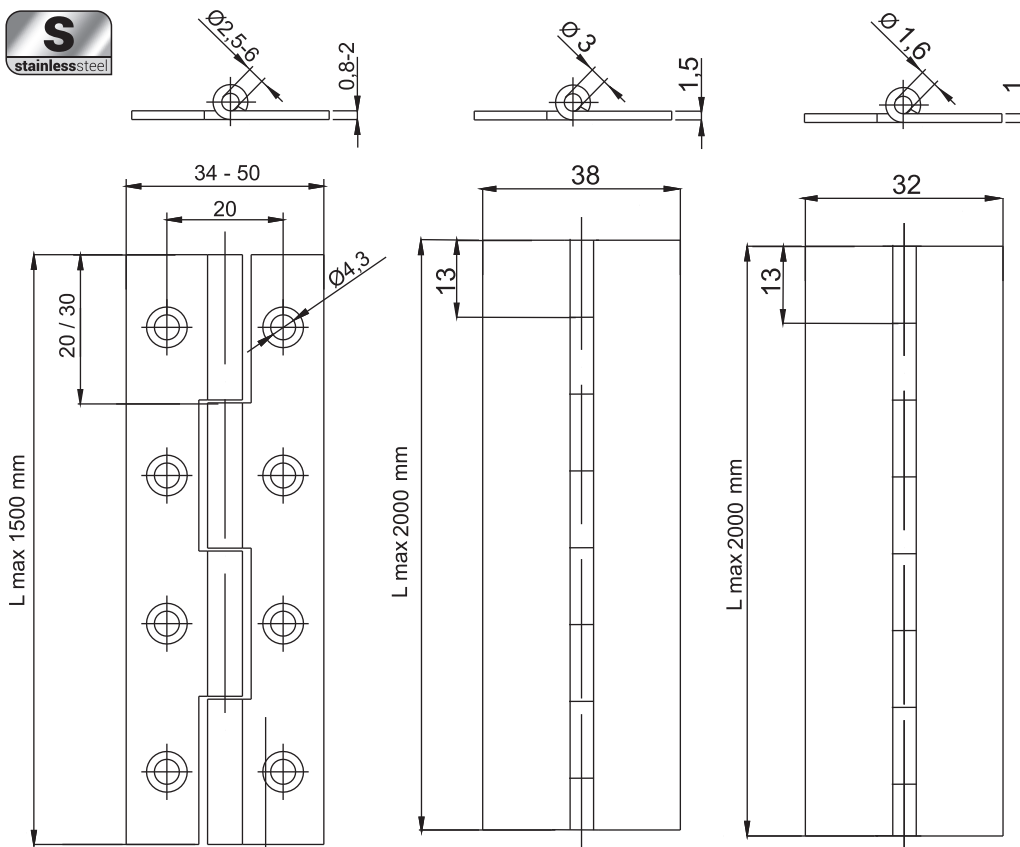
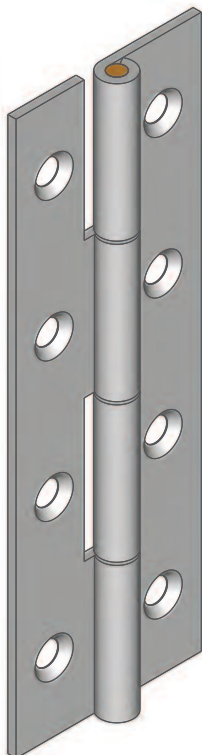




CATALOGUE NUMBER	COMPONENTS	MATERIAL
3.ST25.001	Housing, Bushing	Steel zinc plated
	Pin	Steel zinc plated
3.ST25.001SN	Housing, Bushing	Stainless steel
	Pin	Stainless steel

HINGES

3B

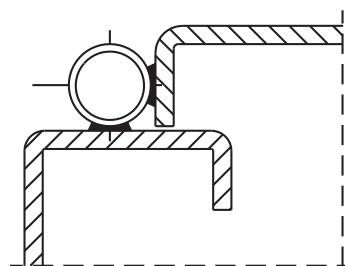
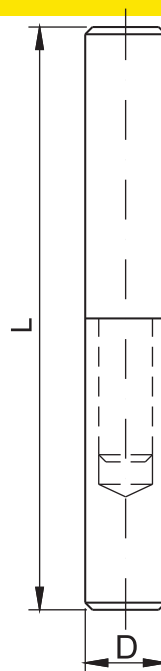
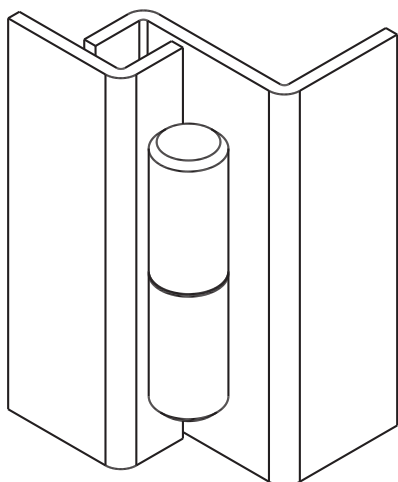


HINGES
3.ST26.X 3.ST26.XSN
CATALOGUE NUMBER
3.ST26.X'
3.ST26.XSN'

 where:
length of the hinge L= X

CATALOGUE NUMBER	COMPONENTS	MATERIAL
3.ST26.X'	Holder, Pin	Steel zinc plated
3.ST26.XSN'	Holder, Pin	Stainless steel

* possibility of producing other dimensions

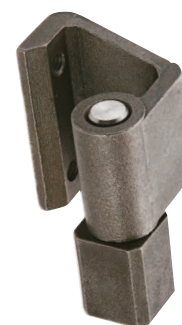
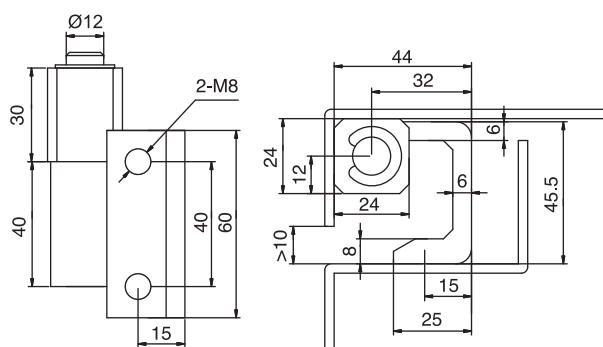


CATALOGUE NUMBER	Dimension		X
	L [mm]	D [mm]	
3.ST7.X 3.ST7.XSN	40	10	001
	50	10	002
	65	10	003
	40	14	005
	100	13	006
	100	16	007

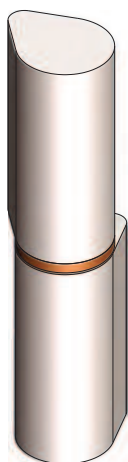
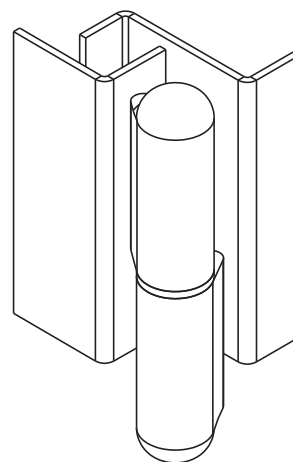
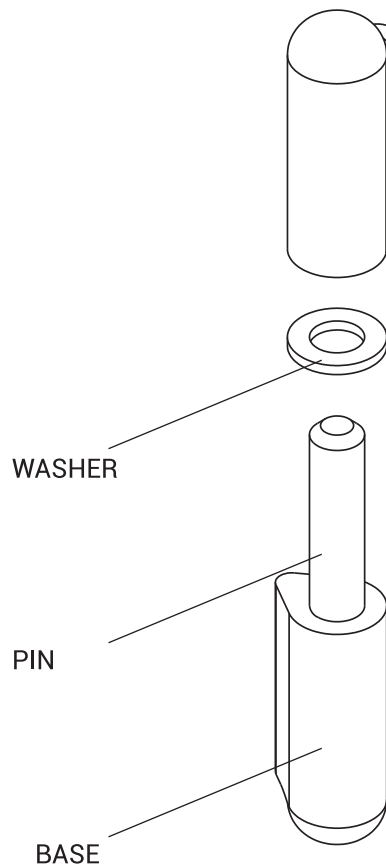
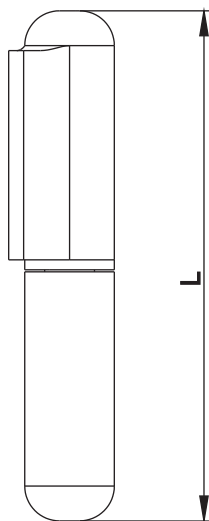
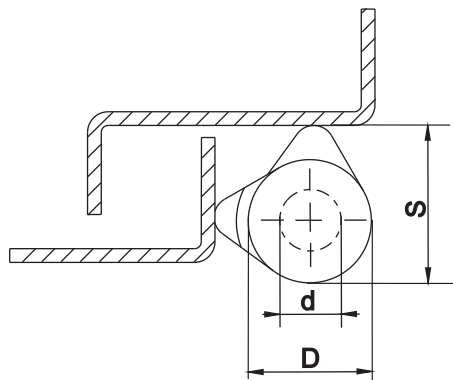
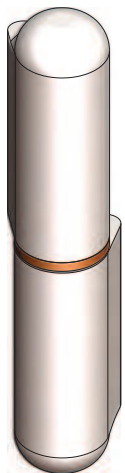
CATALOGUE NUMBER	COMPONENTS	MATERIAL
3.ST7.X	Holder, Pin	Steel
3.ST7.XSN	Holder, Pin	Stainless steel

HINGES

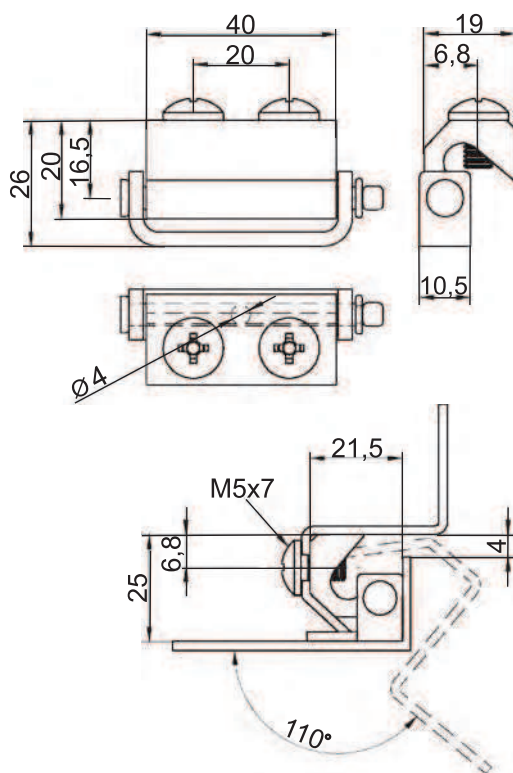
3B



CATALOGUE NUMBER	COMPONENTS	MATERIAL
3.550.001	Holder, Pin	Stainless steel

NEW


Cat. No. ST7-1	Cat. No. ST7-2	Dimensions	D	S	d	L
ST7-1.001A	ST7-2.001A	8x9,5	8	9,5	5	40
ST7-1.001B	ST7-2.001B	8x9,5	8	9,5	5	50
ST7-1.002A	ST7-2.002A	10x12	10	12	6	60
ST7-1.002B	ST7-2.002B	10x12	10	12	6	70
ST7-1.003	ST7-2.003	13x16	13	16	8	80
ST7-1.004	ST7-2.004	16x20	16	20	10	100
ST7-1.005	ST7-2.005	18x22	18	22	12	135
ST7-1.006	ST7-2.006	20x25	20	25	14	150
ST7-1.007	ST7-2.007	23x28	23	28,5	16	200
CATALOGUE NUMBER		COMPONENTS		MATERIAL		
3.ST7-1		Base, Pin		Steel		
3.ST7-2		Washer		Brass		

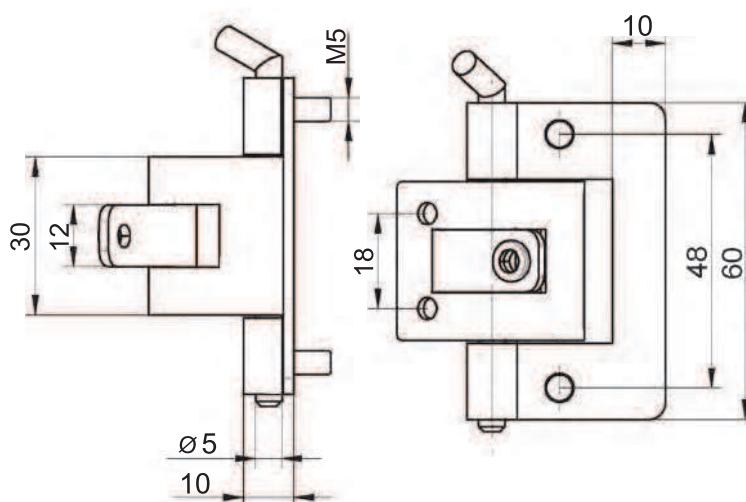


NEW

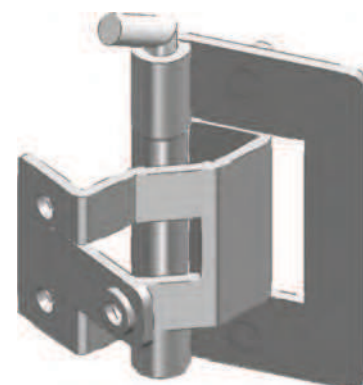


HINGES
3B

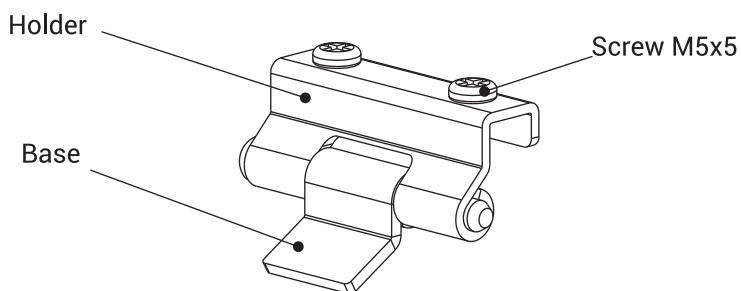
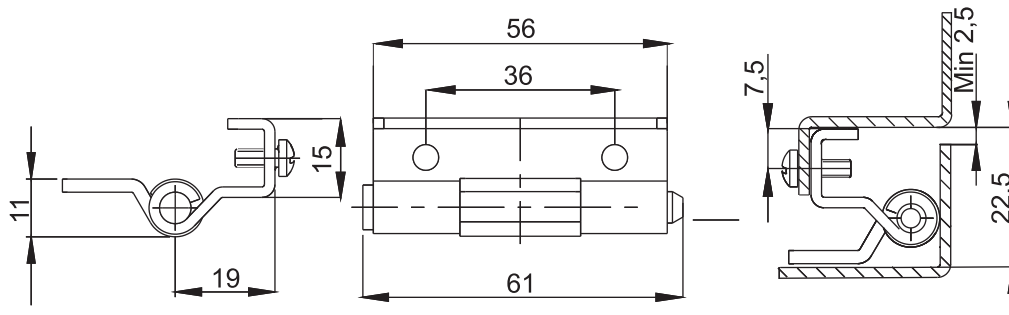
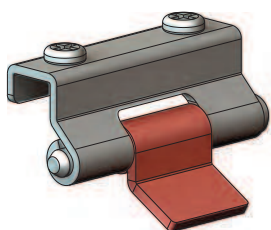
CATALOGUE NUMBER	COMPONENTS	MATERIAL
3.538.001	Holder	Steel copper plated
	Base	Aluminum zinc plated



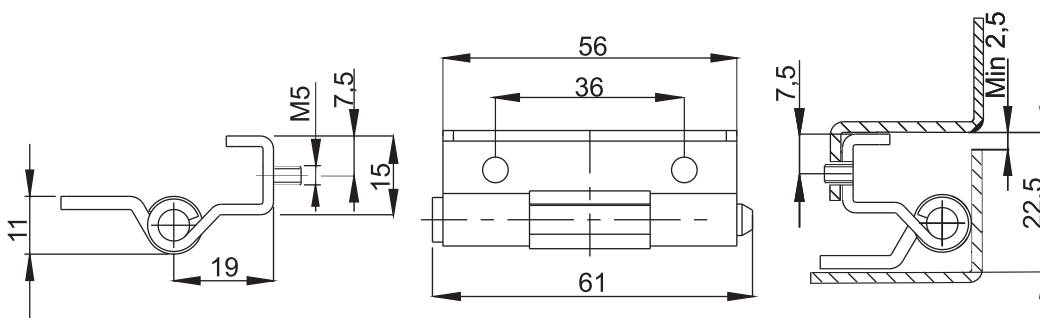
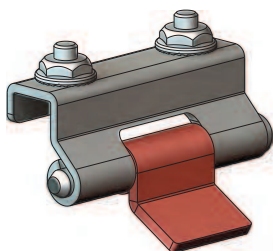
NEW



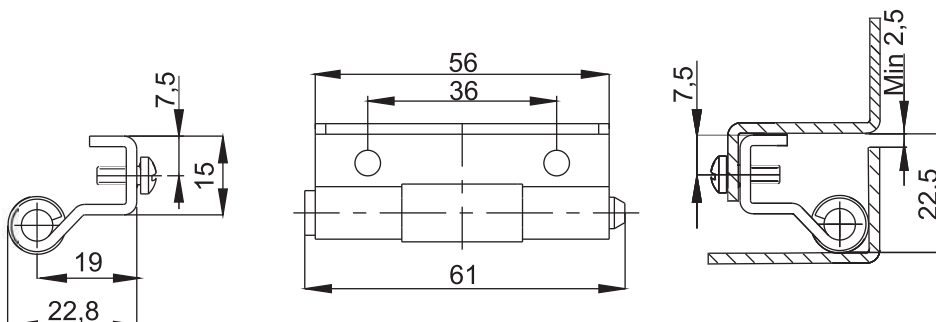
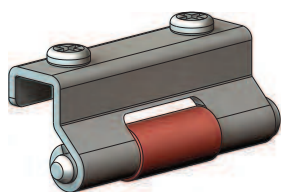
CATALOGUE NUMBER	COMPONENTS	MATERIAL
3.539.001	Holder, Base	Steel zinc plated



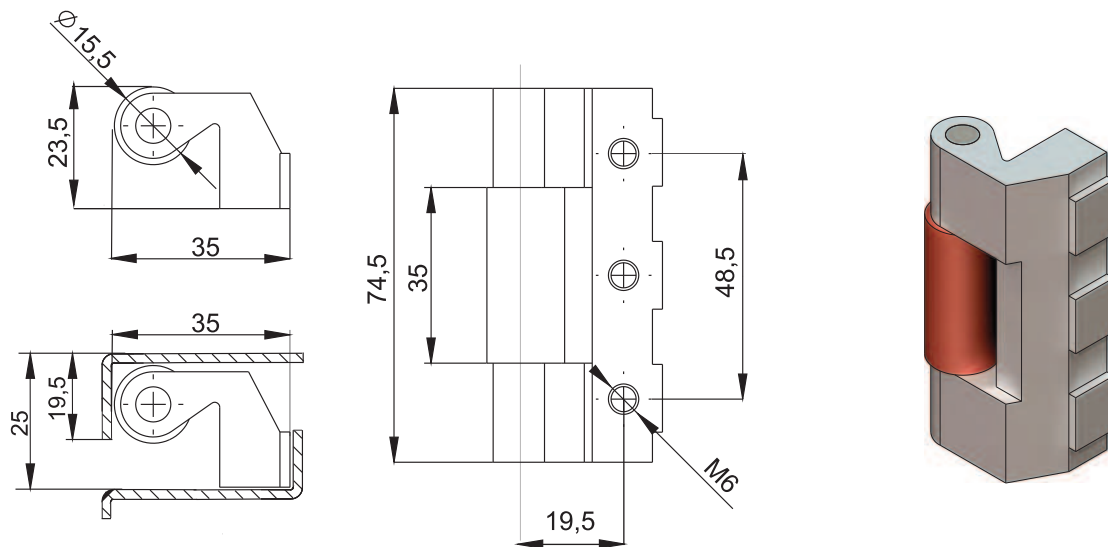
CATALOGUE NUMBER	COMPONENTS	MATERIAL
3.ST551.001	Holder	Steel zinc plated
	Base	Steel copper plated



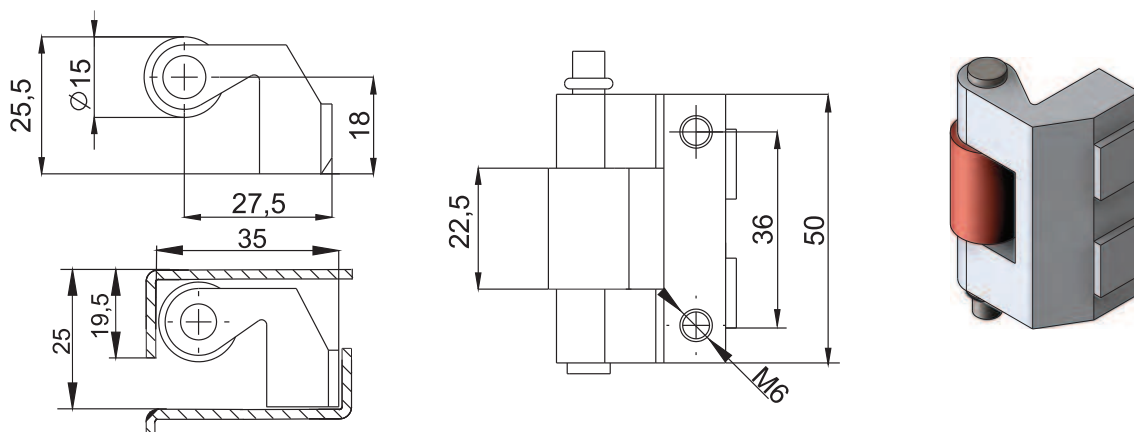
CATALOGUE NUMBER	COMPONENTS	MATERIAL
3.ST552.001	Holder	Steel zinc plated
	Base	Steel copper plated



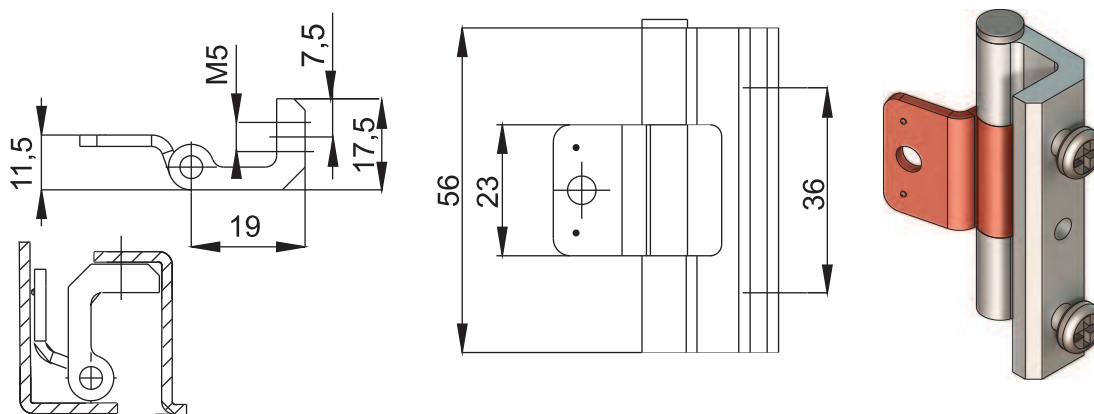
CATALOGUE NUMBER	COMPONENTS	MATERIAL
3.ST553.001	Holder	Steel zinc plated
	Base	Steel copper plated



CATALOGUE NUMBER	COMPONENTS	MATERIAL
3.501.001	Holder	ZAMAK 5 zinc plated
	Base	Steel copper plated
	Pin	Steel zinc plated

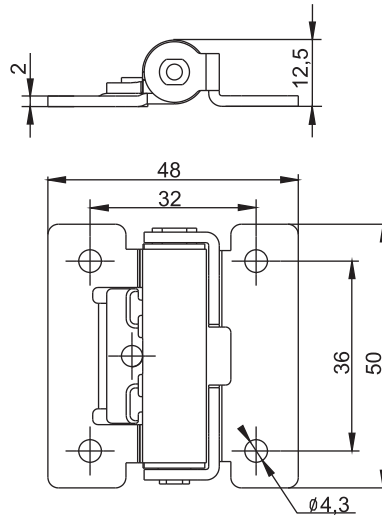


CATALOGUE NUMBER	COMPONENTS	MATERIAL
3.502.001	Holder	ZAMAK 5 zinc plated
	Base	Steel copper plated
	Pin	Steel zinc plated

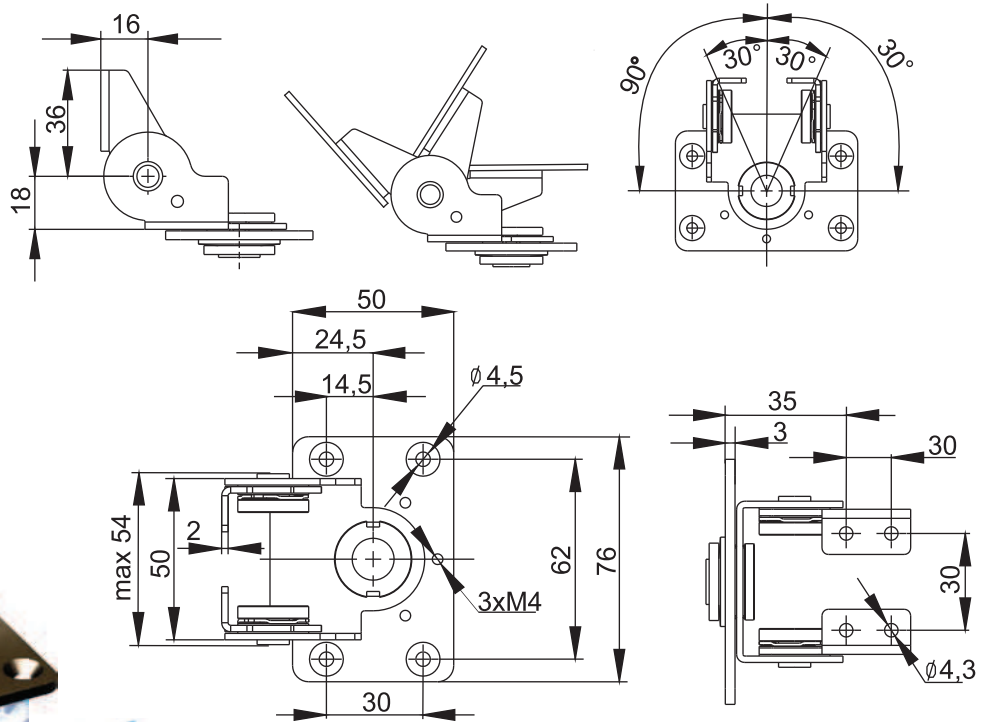
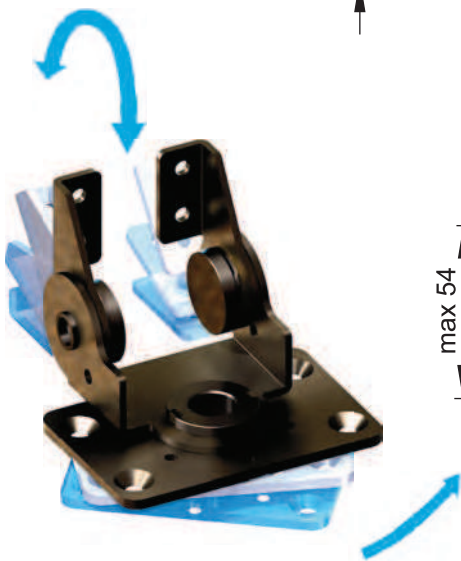


CATALOGUE NUMBER	COMPONENTS	MATERIAL
3.503.001	Holder	ZAMAK 5 zinc plated
	Base	Steel copper plated
	Pin	Steel zinc plated

HINGES
3B

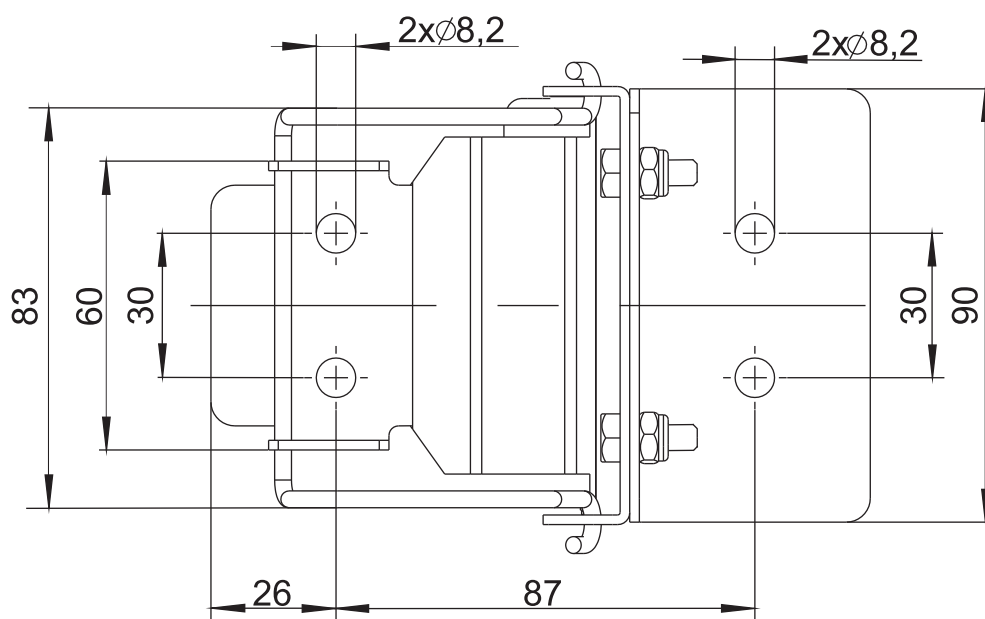
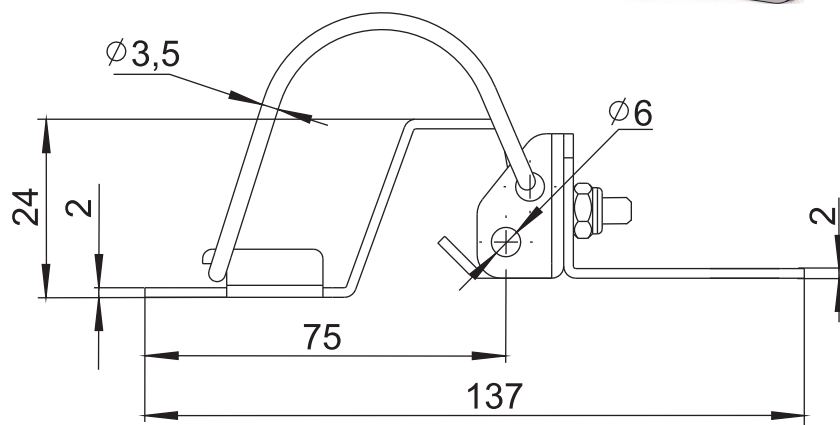
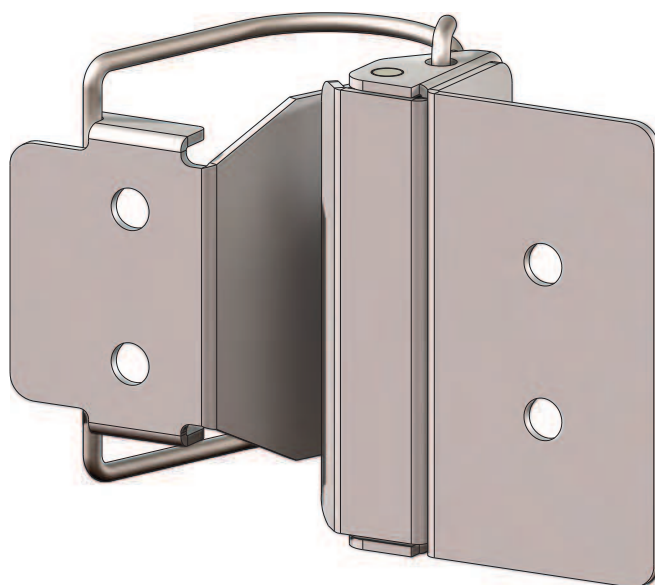


CATALOGUE NUMBER	COMPONENTS	MATERIAL
3.ST110.001	Holder, Base	Stainless steel



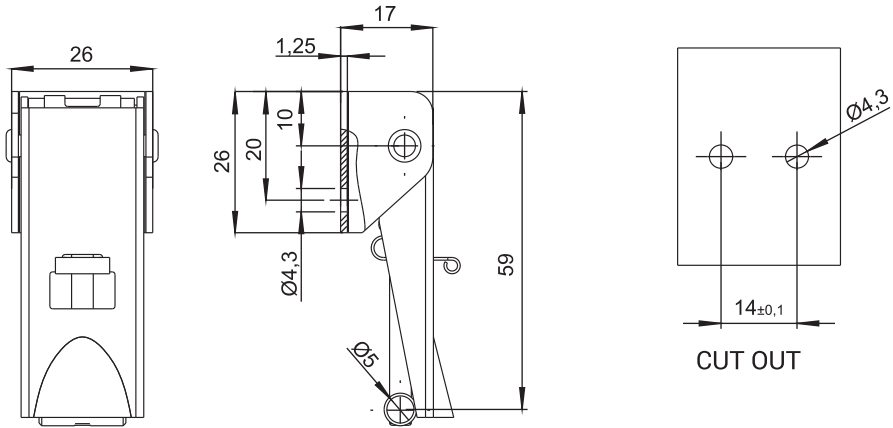
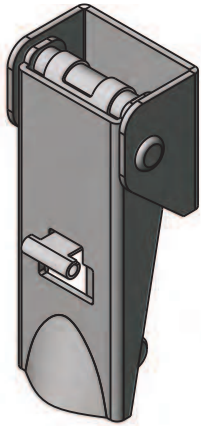
CATALOGUE NUMBER	COMPONENTS	MATERIAL
3.ST111.001	Holder, Base	Stainless steel

NEW

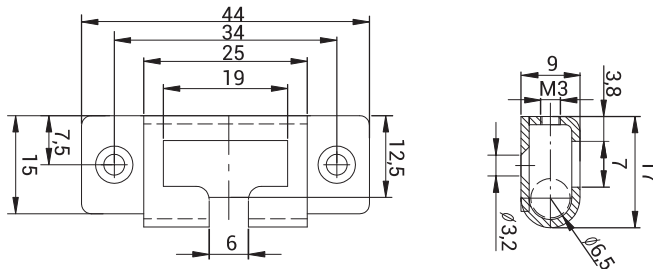


CATALOGUE NUMBER	MATERIAL
3.ST120.001	Steel zinc plated

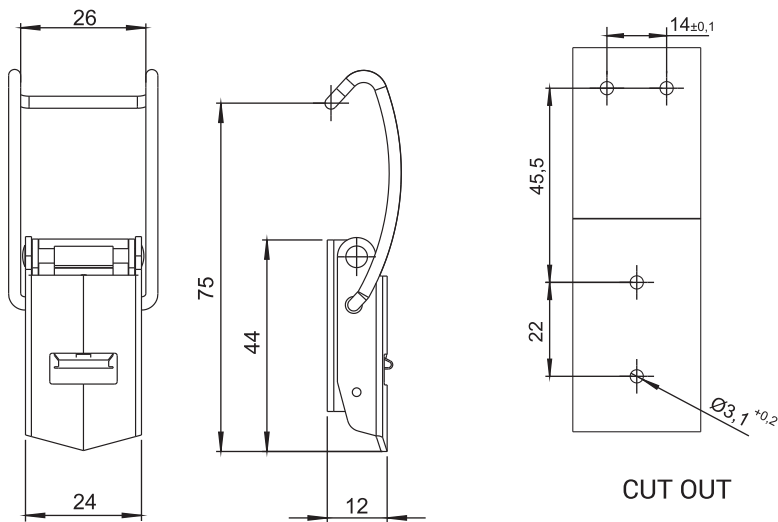
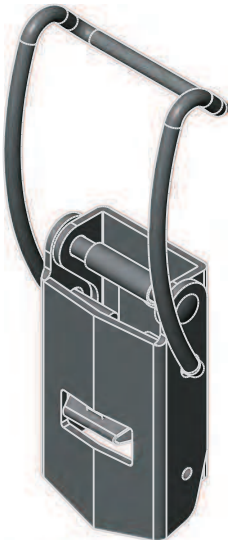
HINGES
3B



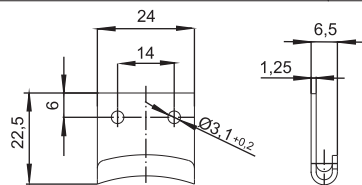
CATALOGUE NUMBER	MATERIAL
3.ST201.001	Steel zinc plated
3.ST201.001SN	Stainless steel



CATALOGUE NUMBER	MATERIAL
3.ST201UN.001	Steel zinc plated
3.ST201UN.001SN*	Stainless steel

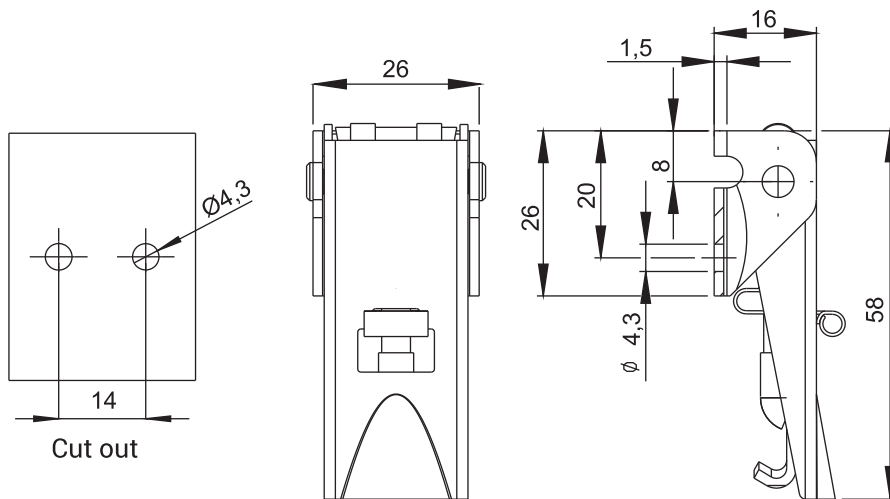


CATALOGUE NUMBER	MATERIAL
3.ST202.001	Steel zinc plated
3.ST202.001SN	Stainless steel

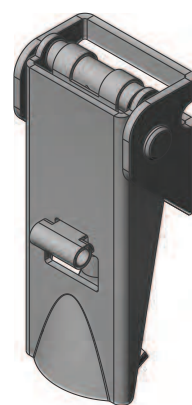


CATALOGUE NUMBER	MATERIAL
3.ST200.002*	Steel zinc plated
3.ST200.002SN*	Stainless steel

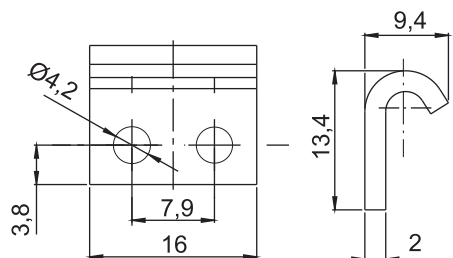
* detail to be ordered separately



CATALOGUE NUMBER	MATERIAL
3.ST204.001	Steel zinc plated
3.ST204.001SN	Stainless steel

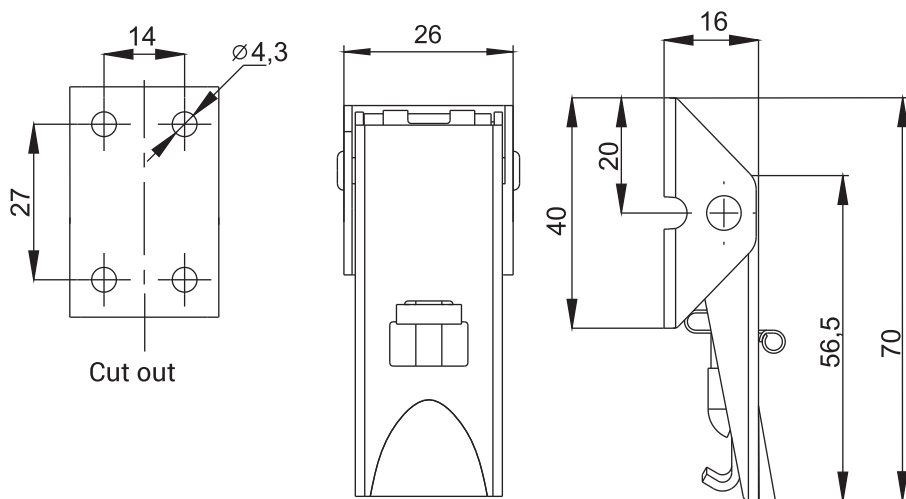


HINGES
3B

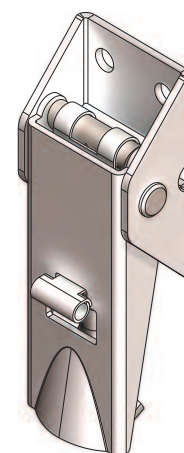


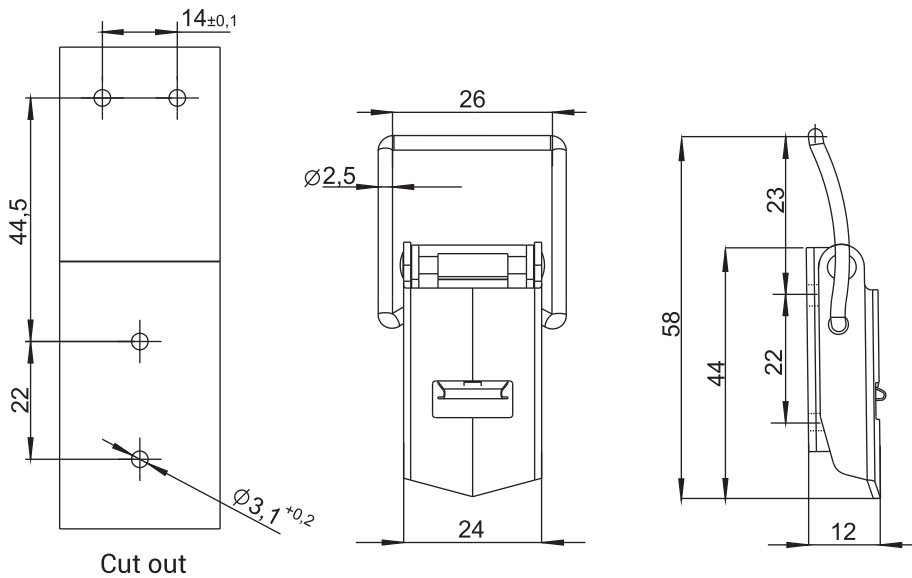
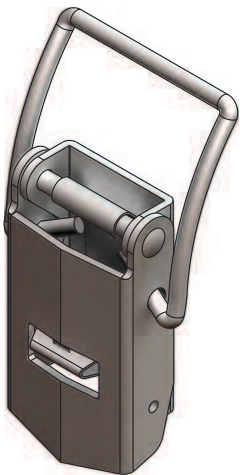
CATALOGUE NUMBER	MATERIAL
3.ST200.003*	Steel zinc plated
3.ST200.003SN*	Stainless steel

* detail to be ordered separately



CATALOGUE NUMBER	MATERIAL
3.ST205.001	Steel zinc plated
3.ST205.001SN	Stainless steel

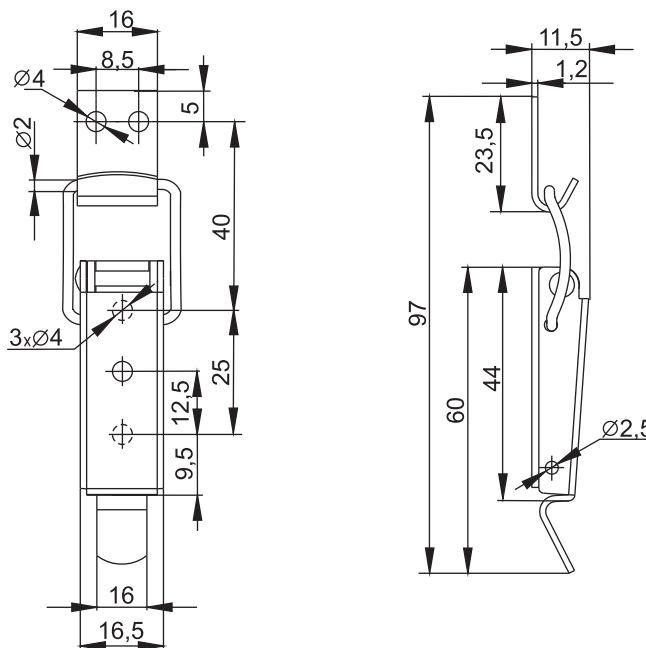


NEW
S
 stainlesssteel


Cut out

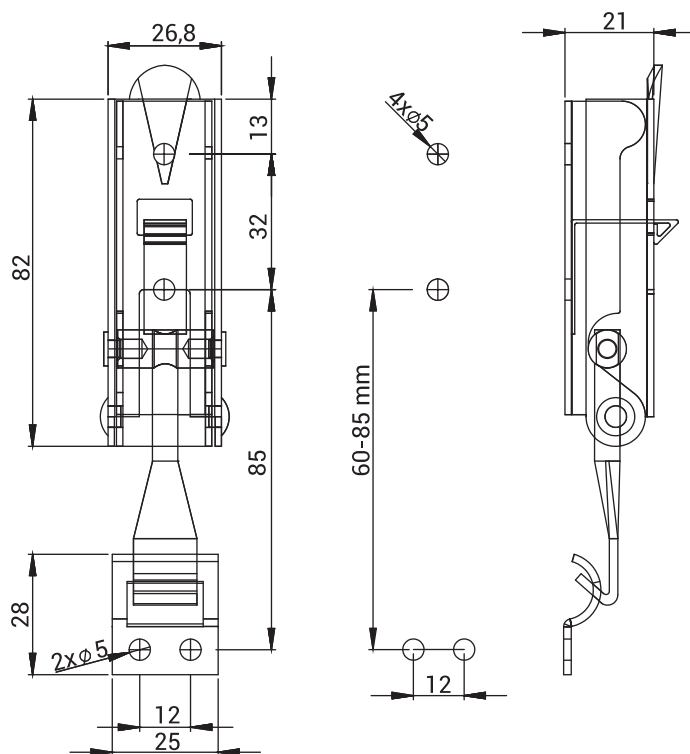
CATALOGUE NUMBER	MATERIAL
3.ST206.001*	Steel zinc plated
3.ST206.001SN*	Stainless steel

* the team shall include ear 3.ST200.002 - detail to be ordered separately (3B-41)

NEW
S
 stainlesssteel


CATALOGUE NUMBER	MATERIAL
3.ST207.001	Steel zinc plated
3.ST207.001SN	Stainless steel

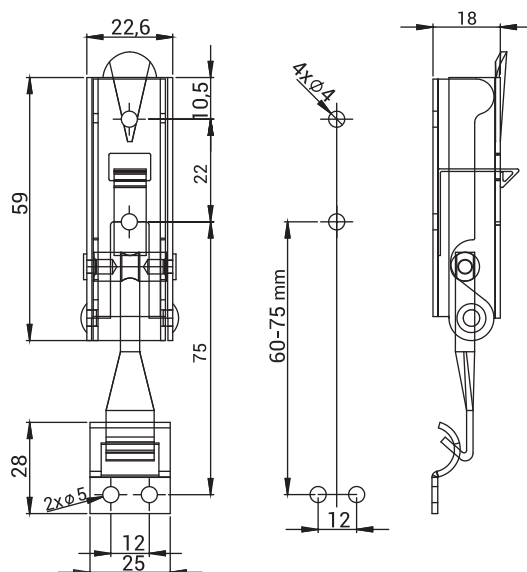
NEW **S** stainless steel



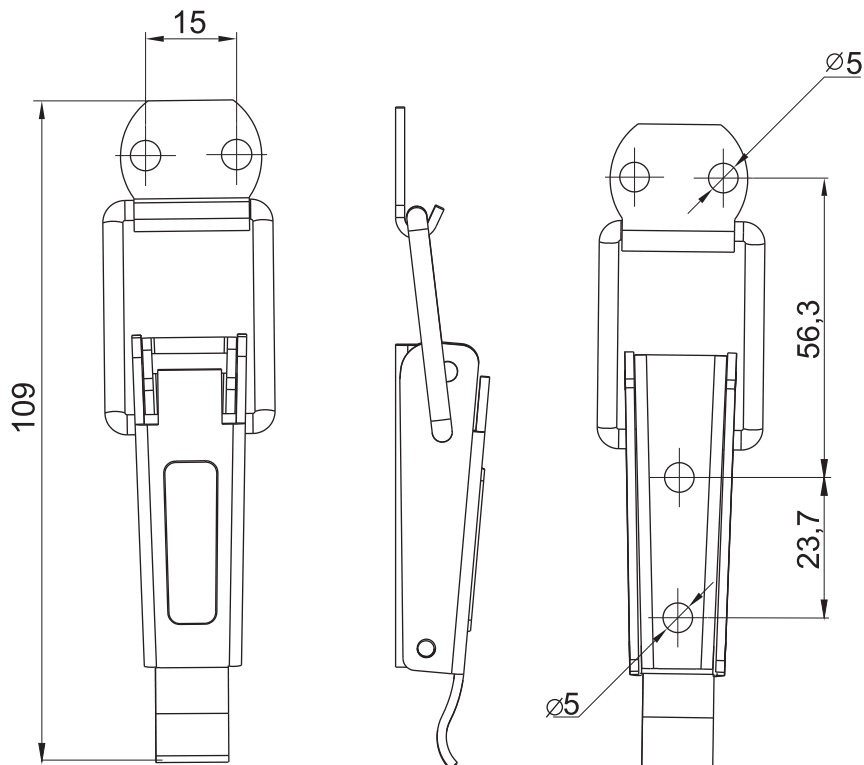
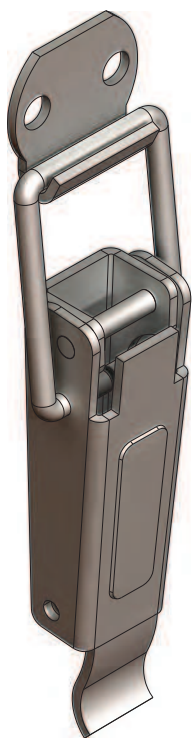
HINGES
3B

CATALOGUE NUMBER	MATERIAL
3.ST208.001	Steel zinc plated
3.ST208.001SN	Stainless steel

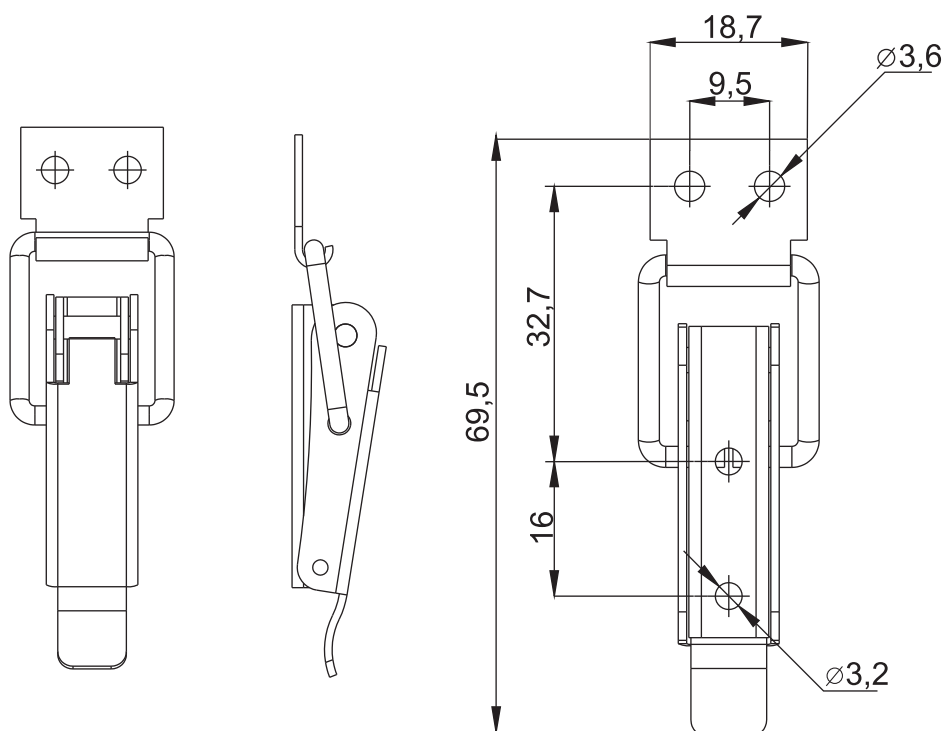
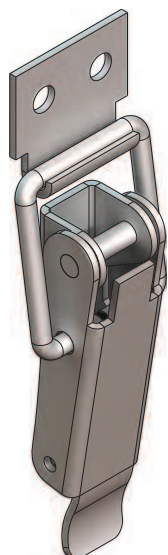
NEW **S** stainless steel



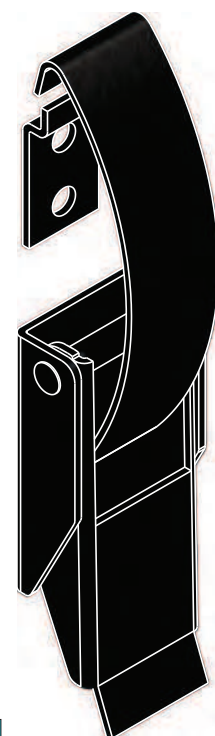
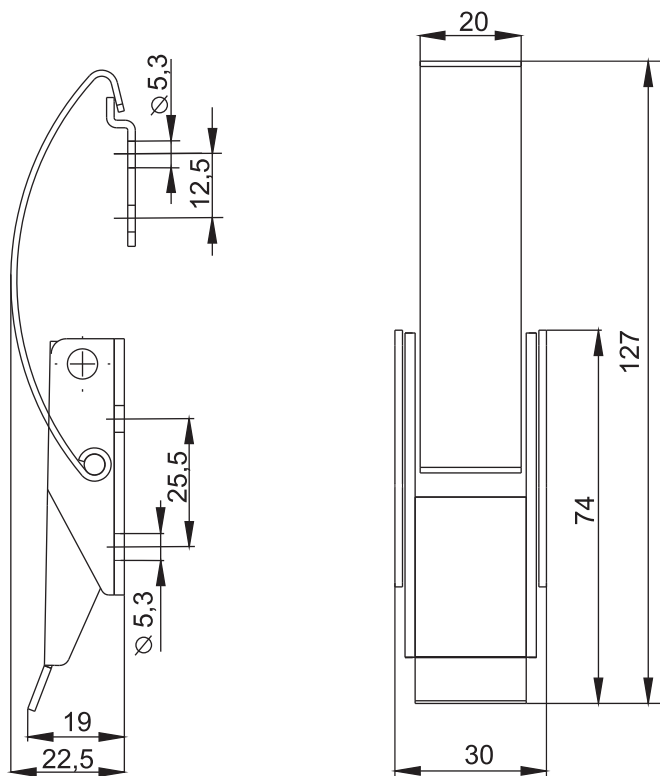
CATALOGUE NUMBER	MATERIAL
3.ST210.001	Steel zinc plated
3.ST210.001SN	Stainless steel



CATALOGUE NUMBER	MATERIAL
3.ST261.001	Steel zinc plated

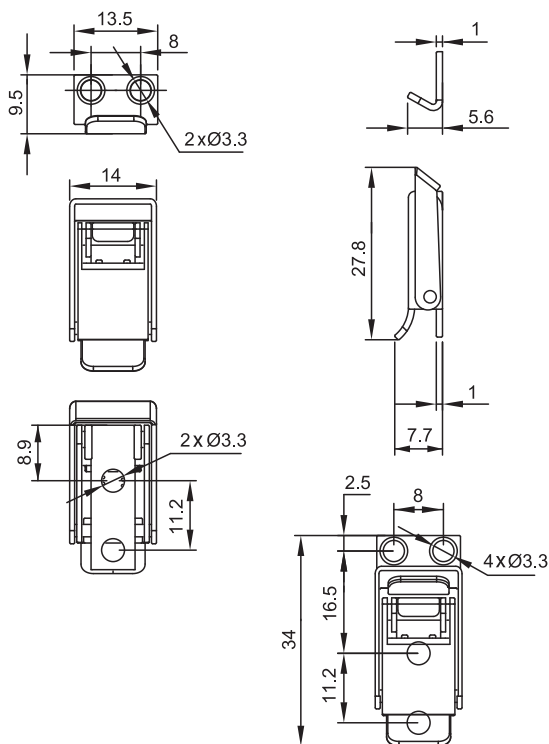


CATALOGUE NUMBER	MATERIAL
3.ST262.001	Steel zinc plated



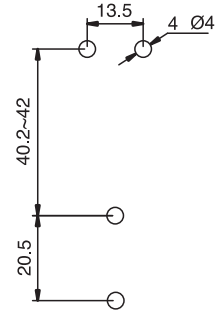
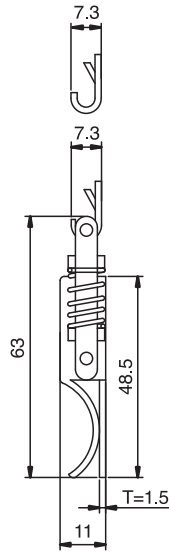
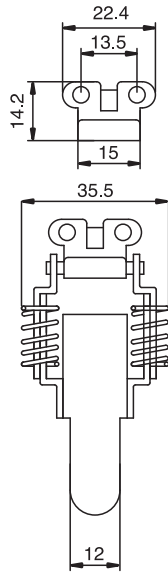
HINGES
3B

CATALOGUE NUMBER	FINISH	MATERIAL
3.ST263.001	RAL 9005	Steel zinc plated
3.ST263.001SN	-	Stainless steel



CATALOGUE NUMBER	MATERIAL
3.561.001	Stainless steel

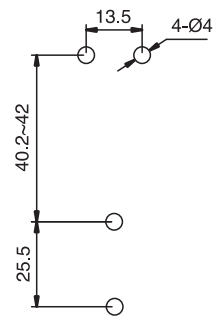
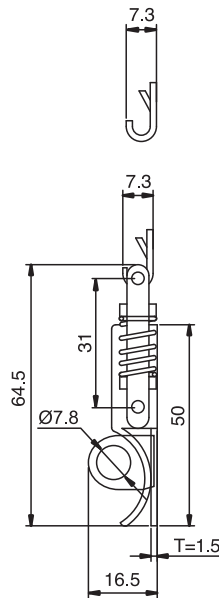
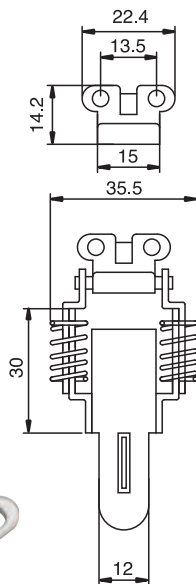
NEW **S**
stainless steel



Mounting hole

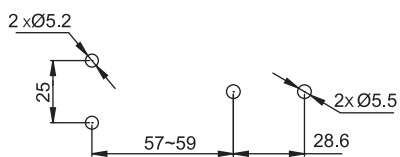
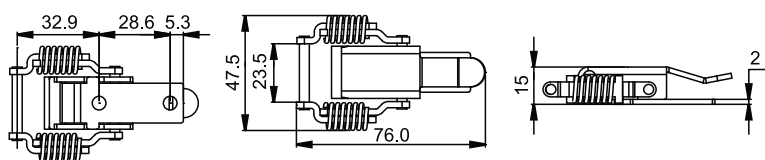
CATALOGUE NUMBER	MATERIAL
3.562.001	Stainless steel

NEW **S**
stainless steel

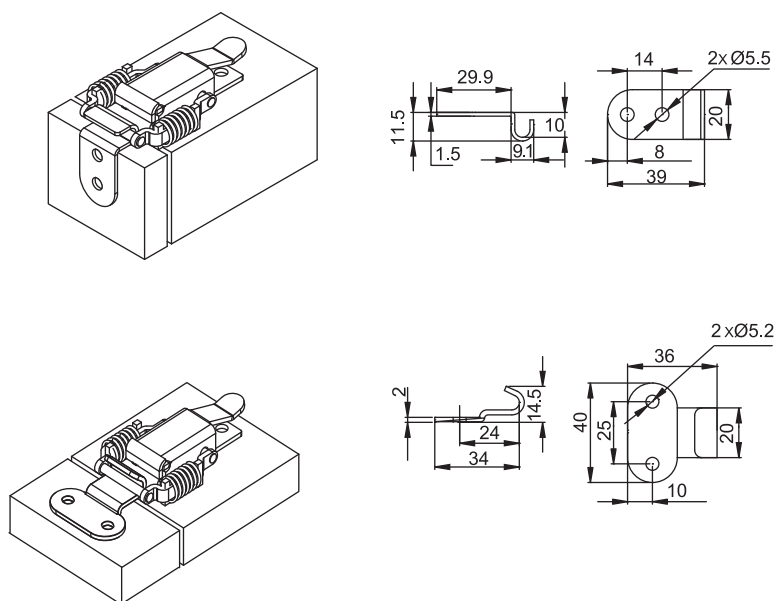


Mounting hole

CATALOGUE NUMBER	MATERIAL
3.562.002	Stainless steel

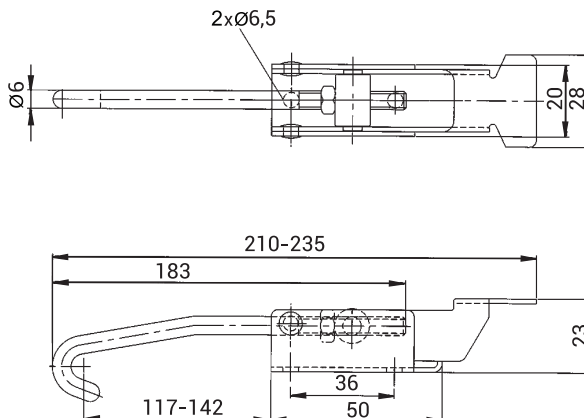


Mounting hole



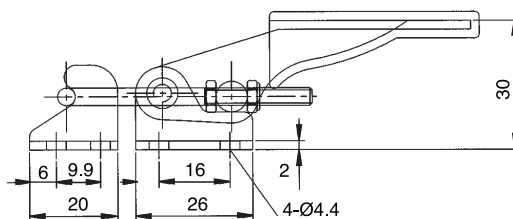
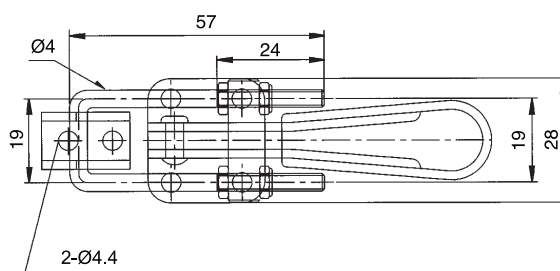
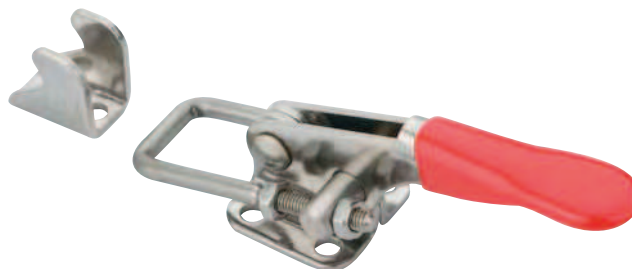
CATALOGUE NUMBER	MATERIAL
3.563.001	Stainless steel

HINGES
3B



HINGES
3B

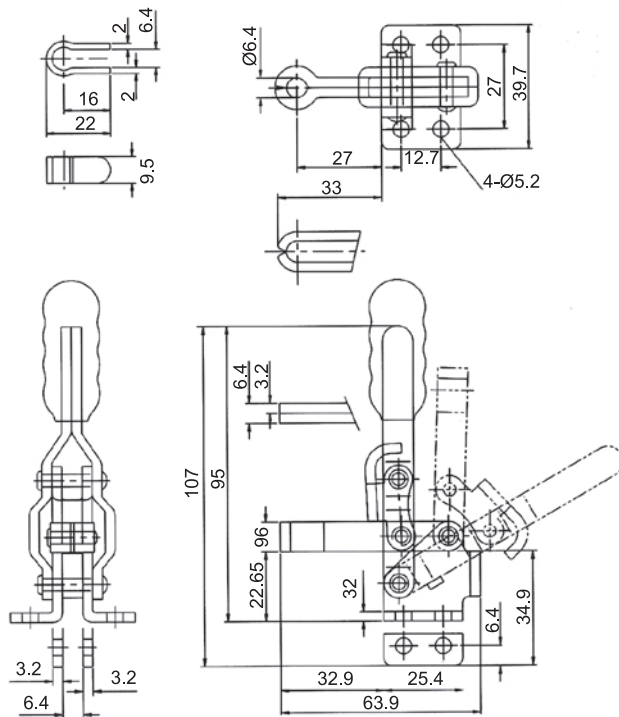
CATALOGUE NUMBER	MATERIAL
3.564.001	Stainless steel



Note: Maximum load 160kg

CATALOGUE NUMBER	MATERIAL
3.565.001	Stainless steel

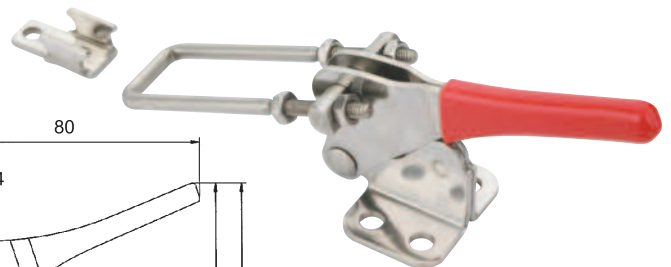
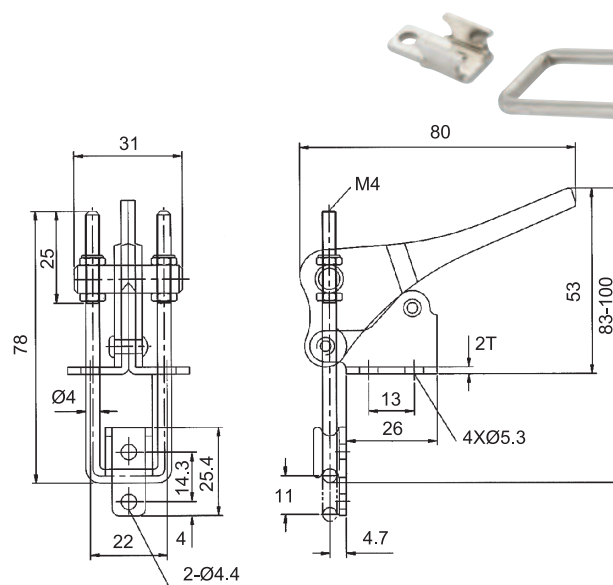
3B-49



HINGES
3B

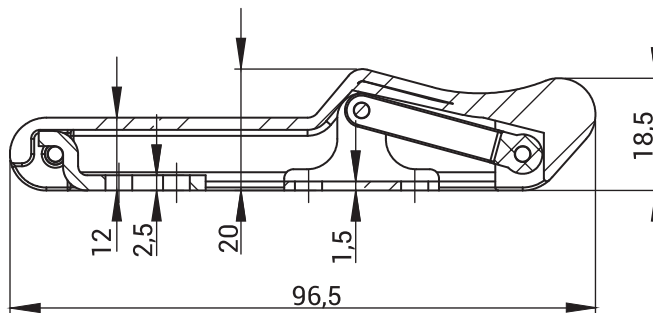
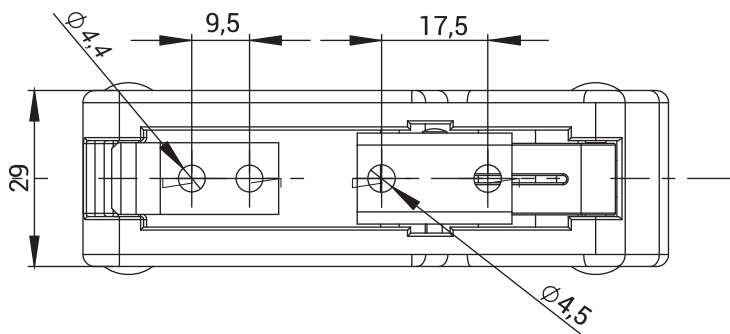
Note: Maximum load 95kg

CATALOGUE NUMBER	MATERIAL
3.566.001	Stainless steel



Note: Maximum load 225kg

CATALOGUE NUMBER	MATERIAL
3.567.001	Stainless steel



CATALOGUE NUMBER	MATERIAL
4.490.001	Plastic