

## PCB terminal strip; 2 solder pins/pole; 5-pole; pin spacing 2.54 mm / 0.1 in; with push-button

Item No.: 234-505



PCB terminal strip; 2 solder pins/pole; 5-pole; pin spacing 2.54 mm / 0.1 in; with push-button

### Marking

RoHS ✓  
Compliant

### Business data

Supplier	WAGO
Item no.	234-505
GTIN / EAN	4044918652131
Content	1
Order amount	85
Customer item number	

### Notes

Terminal strips with push-buttons and CAGE CLAMP® connection  
Double solder pins for high mechanical stability on PCB  
Ideal for in-the-field wiring thanks to simplified push-button actuation  
Convenient, tool-free operation

### Technical data

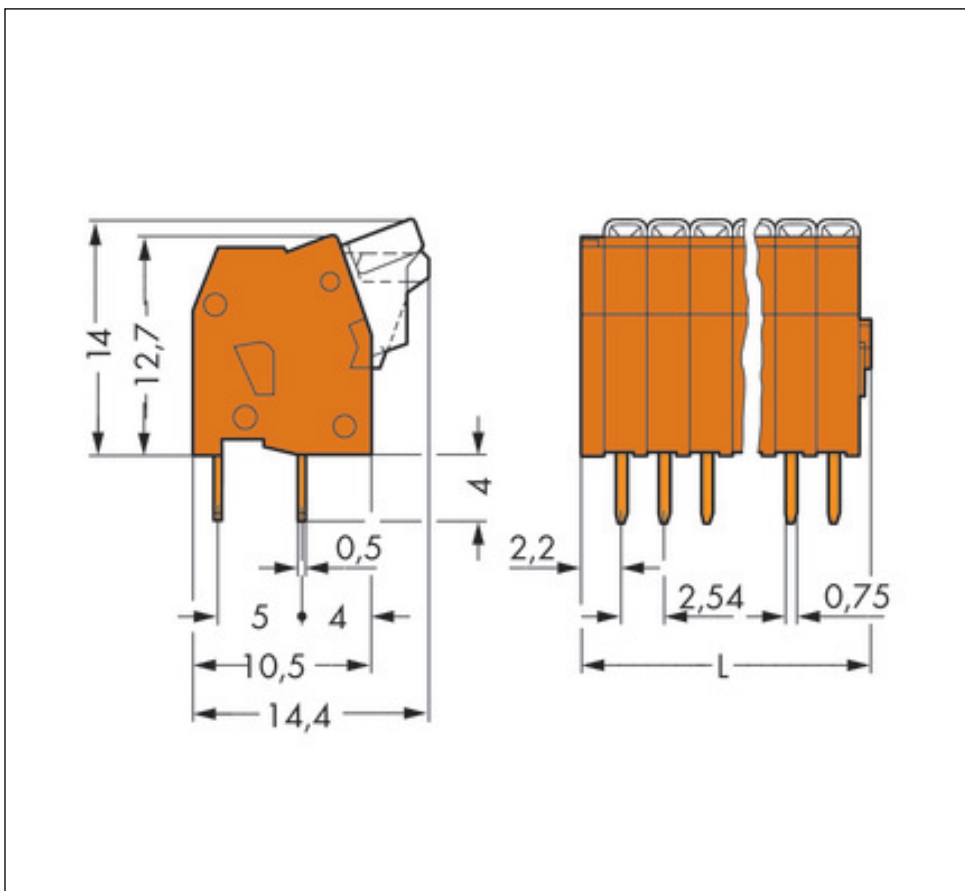
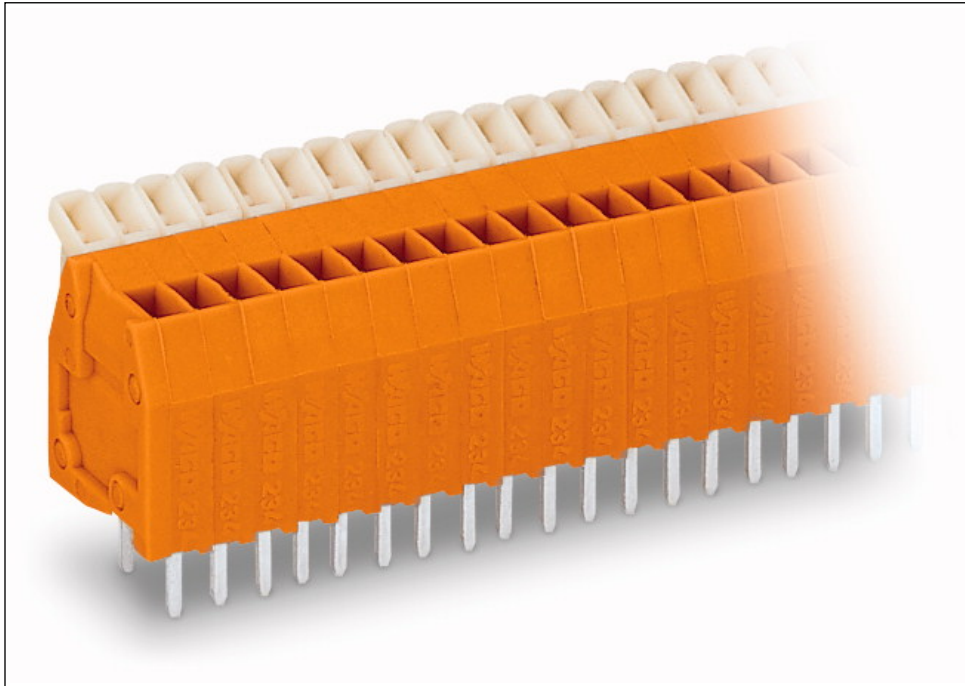
#### Miscellaneous

No. of poles	5
Pin spacing	2.54 mm / 0.1 in %
Total number of connection points	5
Total number of potentials	5
Color	orange
Ratings according to 1	IEC/EN 60664-1
Overvoltage category EN 1	III
Pollution degree (1)	2

<b>Technical data</b>	
Rated voltage EN (1) [V]	160 [V]
Rated surge voltage (1) [kV]	2.5 [kV]
Nominal current [A]	6 [A]
Overvoltage category EN 2	II
Degree of pollution (2)	2
Rated voltage EN (2) [V]	320 [V]
Rated surge voltage (2) [kV]	2.5 [kV]
Nominal current (2) [A]	6 [A]
Overvoltage category EN 3	III
Degree of pollution (3)	3
Rated voltage EN (3) [V]	63 [V]
Rated surge voltage (3) [kV]	2.5 [kV]
Nominal current (3) [A]	6 [A]
Number of individual connection objects at the product	1
Connection technology (1)	CAGE CLAMP®
Solid sizes 1	0.08 ... 0.5 mm <sup>2</sup> / 28 ... 20 AWG
Fine-stranded wires 1	0.08 ... 0.5 mm <sup>2</sup> / 28 ... 20 AWG
Fine-stranded wires with insulated ferrule 1	0.25 mm <sup>2</sup> / AWG
Fine-stranded wires with uninsulated ferrule 1	0.25 mm <sup>2</sup> / AWG
Strip length 1	5 ... 6 mm / 0.2 ... 0.24 in
Conductor entry angle to the PCB 1 [°]	90 [°]
Type of wiring	Front-entry wiring
Solder pin arrangement	in line
Solder pin length [mm]	4 [mm]
Solder pin width A [mm]	0.5 [mm]
Solder pin width B [mm]	0.75 [mm]
Drilled hole diameter (tolerance) [mm]	1.1(+ 0.1) [mm]
Material group	I
Insulating material	Polyamide 66 (PA 66)
Flammability rating per UL 94	V0
Limit temperature range	-60 C ... 105 C
Clamping spring material	Chrome-nickel spring steel (CrNi)
Contact material	Electrolytic copper (Ecu)
Contact plating	tin-plated

<b>Technical data</b>	
<i>Fire load [MJ]</i>	<i>0.039 [MJ]</i>
<i>Weight [g]</i>	<i>2.618 [g]</i>
<i>Width</i>	<i>14.9 mm / 0.587 in</i>
<i>Height</i>	<i>18 mm / 0.709 in</i>
<i>Height from the surface</i>	<i>14 mm / 0.551 in</i>
<i>Length</i>	<i>14.4 mm / 0.567 in</i>

Images & drawings



**Address**

WAGO Kontakttechnik GmbH & Co. KG

Hansastr. 27

32423 Minden

Telefon: 0571/887-0

Fax: 0571/887-169

<http://www.wago.com>

© WAGO Kontakttechnik GmbH & Co. KG

Technische Änderungen und Irrtümer vorbehalten.