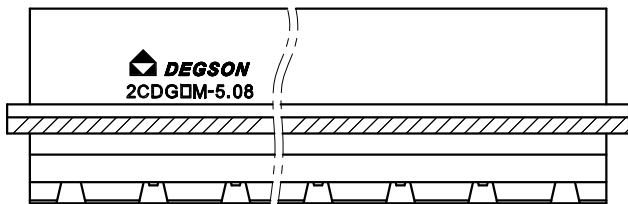


REVISION RECORD

REV	ECN	DESCRIPTION	DRFT	DATE
-----	-----	-------------	------	------



2EDGRM - 5.08 - XXP - 1Y - 00A (H)  
 (Series No.) (Pitch) (Poles) (Single Pitch) (Color): 1.(Grey) 2.(Blue) 3.(Black) 4.(Green) 5.(Orange) 6.(Red) 7.(Transparent) 8.(Yellow) 9.(White)  
 (RoHS)  
 00A-(Standard)

NOTES1:

UL Standard

1.Rated voltage/current : 300V / 15A

2.Withstanding voltage : AC1600V/1Min.

IEC Standard

Pollution degree	2
Overvoltage category	III
Rate impulse voltage(KV)	4.0KV
Rate voltage(V)	320V
Rate current(A)	20A

NOTES2:

1.Dimension shall be interpreted per ASME Y14.5-2009

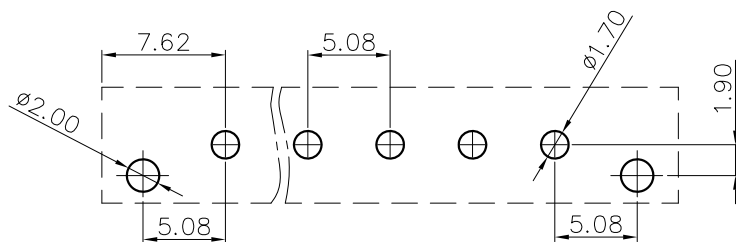
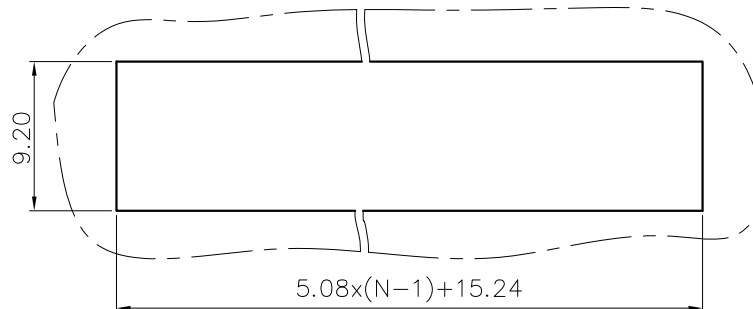
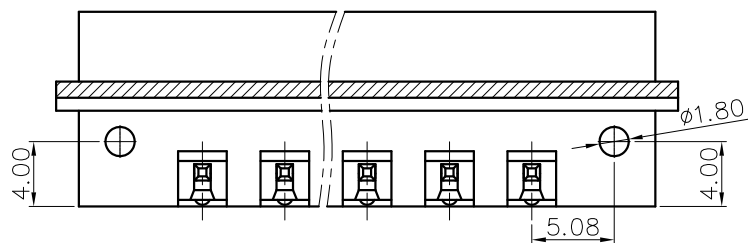
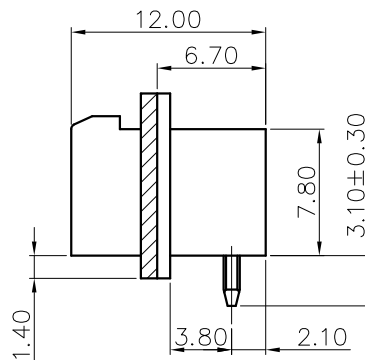
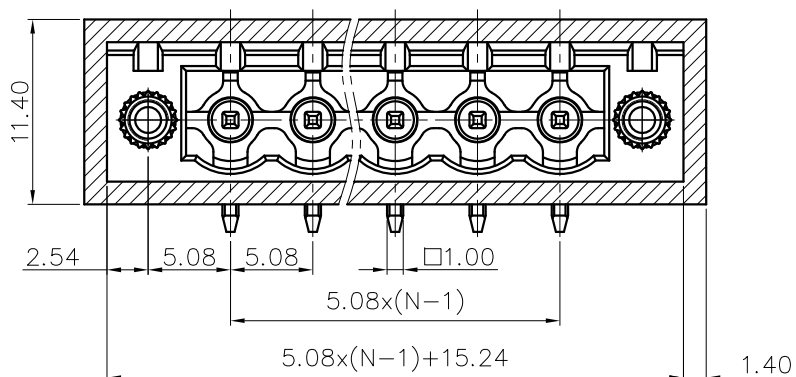
2.Pitch : 5.08mm, Poles : N=02~22P

3.Operating temperature: -30°C~+120°C

4.Undimensioned tolerances:

Pitch range in mm		Nominal dimension range in mm					0.1/10
To	Over	To	Over	To	Over		
6	10	6	10	30	60	100	±2'
10	24	10	24	30	60	150	
±0.15	±0.20	±0.30	±0.30	±0.50	±0.70	±1.00	±1.30

5.RoHS Compliance



PCB LAYOUT

DETACHED LISTS	PART NO.:	NINGBO DEGSON ELECTRICAL CO., LTD			
	APPD:	NAME: 2CDGRM-5.08-XXP-1Y-00A(H)			
	CHKD:	TITLE: CUSTOMER DRAWING			
	DRFT:	DRAWING NO.:		REV	DO
	THIRD ANGLE PROJECTION		MM (INCH)	DO NOT SCALE DRAWING	SCALE