

REVISION RECORD				
REV	ECN	DESCRIPTION	DRFT	DATE

NOTES1:

UL Standard

1. Rated Voltage/Current : 300V / 18A
2. Withstanding Voltage : AC1600V/1Min.

IEC Standard

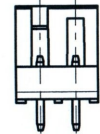
1. Pollution Degree	2	2	3
Overvoltage Category	II	III	III
Rate Impulse Voltage(KV)	4KV	4KV	4KV
Rate Voltage(V)	630V	320V	250V
Rate Current(A)	15A		

NOTES2:

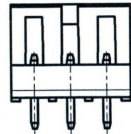
1. Dimension shall be interpreted per ASME Y14.5-2009
2. Pitch : 5.08mm, Poles : N=02~24P
3. Operating temperature: -40°C~+105°C
4. Undimensioned Tolerances:

Pitch Range In mm		Nominal Dimension Range In mm						□	∠	∇
To	Over	To	Over	To	Over	To	Over	0.1/10	<	
6	10	30	60	100	150	±0.15	±0.20	±0.30	±0.30	
10	24	60	100	150	±0.30	±0.50	±0.70	±1.00	±1.30	

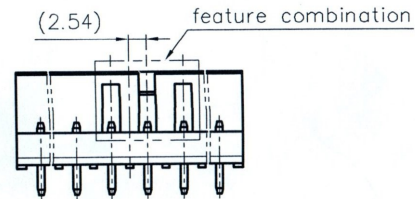
5. RoHS Compliance



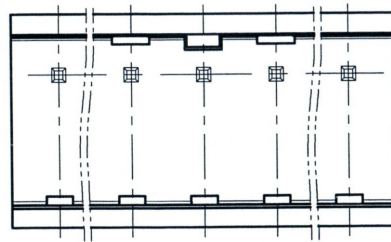
N=2
SCALE 1:2



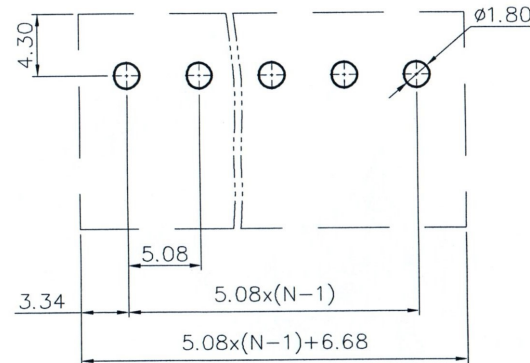
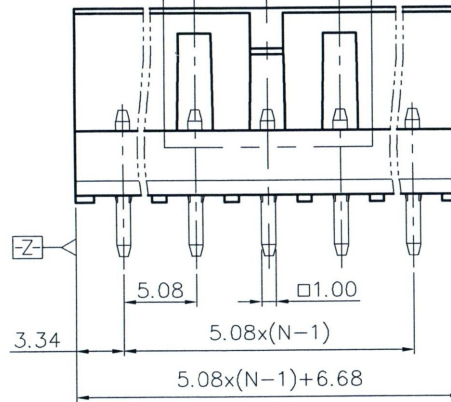
N=3
SCALE 1:2



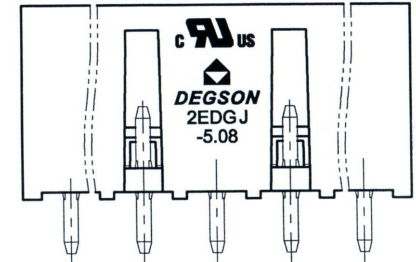
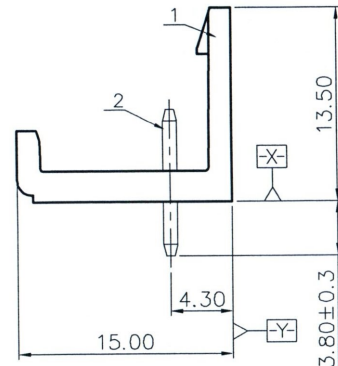
N=even (N≥4)
SCALE 1:2



feature combination
central location



仅供参考图
签字: [Signature]
日期: 2016.04.06



ITEM	NAME OF PART	MATERIAL	NOTES
2	PIN	COPPER ALLOY	Sn Plated
1	HOUSING	PA66	UL94V-0

PART NO.: /		宁波高松电子有限公司 DEGSON [®] NINGBO DEGSON ELECTRICAL CO., LTD	
APPD: Alan 04/06/16"	NAME: 2EDGJ-5.08-XXP-1Y-00A(H)		
CHKD:	TITLE: CUSTOMER DRAWING		
DRFT: Dong 08/26/15"	REV	D0-3	
DRAWING NO.: 2EDGJ-5.08-C01		SHEET	1/1
THIRD ANGLE PROJECTION		SCALE	1:1