



## Description

- Surface mount oscillator in a ceramic package with a hermetically sealed metal lid
- Model: CFPS-32
- Model Issue number: 12

## Frequency Parameters

- Frequency: 24.5760MHz
- Frequency Stability:  $\pm 50.00$ ppm
- Operating Temperature Range: -40.00 to 85.00°C

## Electrical Parameters

- Supply Voltage: 2.5V  $\pm 5\%$
- Current Draw: 8.000mA

## Output Details

- Output Compatibility: CMOS
- Drive Capability: 15pF max
- Rise and Fall Time: 5.0ns max
- Duty Cycle: 40/60%

## Output Control

- Logic '1' (>70% VS) to pad 1 enables oscillator output
- Logic '0' (<30% VS) to pad 1 disables oscillator output; the oscillator output goes to the high impedance state
- No connection to pad 1 enables oscillator output
- Standby Current: 10 $\mu$ A max

## Environmental Parameters

- Storage Temperature Range: -55 to 125°C
- Shock: MIL-STD-202, Method 213, Condition E
- Vibration: MIL-STD-883, Method 2007, Condition A

## Compliance

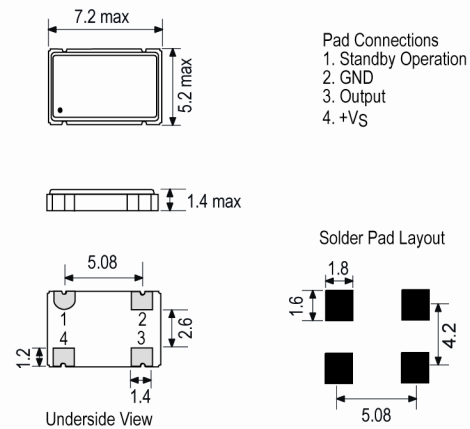
- RoHS Status (2011/65/EU): Compliant
- REACH Status: Compliant
- MSL Rating (JDEC-STD-033): Not Applicable

## Packaging Details

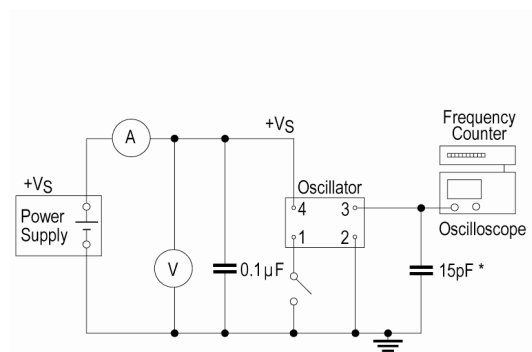
- Pack Style: Cutt In tape, cut from a reel
- Pack Size: 100
- Alternative packing option available



## Outline (mm)



## Test Circuit



\* Inclusive of jigging and equipment capacitance

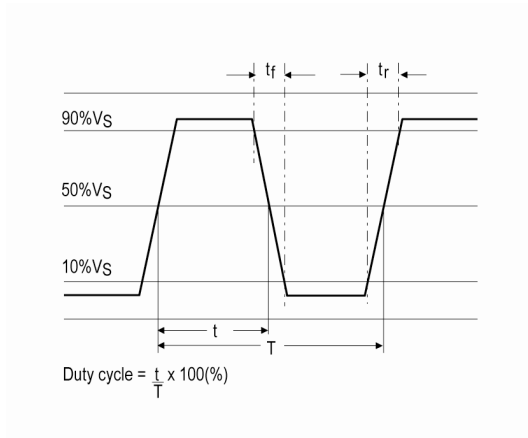
## Sales Office Contact Details:

UK: +44 (0)1460 270200  
Germany: 0800 1808 443

France: 0800 901 383  
USA: +1.760.318.2824

Email: [info@iqdfrequencyproducts.com](mailto:info@iqdfrequencyproducts.com)  
Web: [www.iqdfrequencyproducts.com](http://www.iqdfrequencyproducts.com)

Wave Form



Sales Office Contact Details:

UK: +44 (0)1460 270200  
Germany: 0800 1808 443

France: 0800 901 383  
USA: +1.760.318.2824

Email: [info@iqdfrequencyproducts.com](mailto:info@iqdfrequencyproducts.com)  
Web: [www.iqdfrequencyproducts.com](http://www.iqdfrequencyproducts.com)