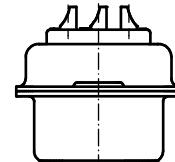
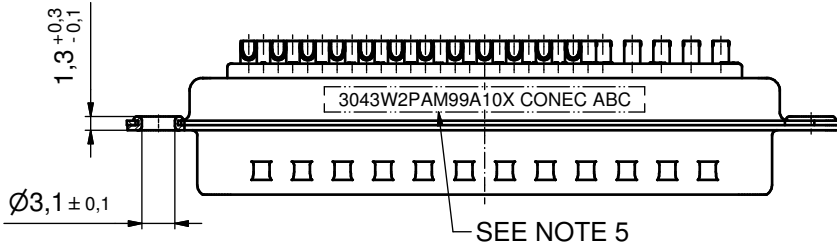
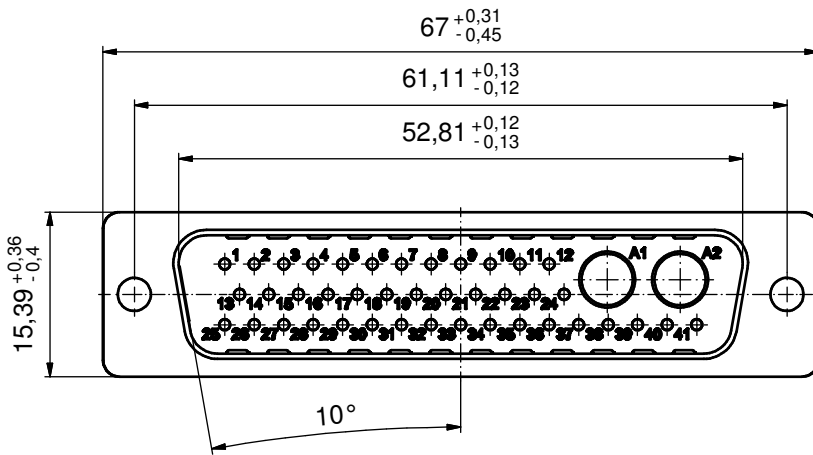
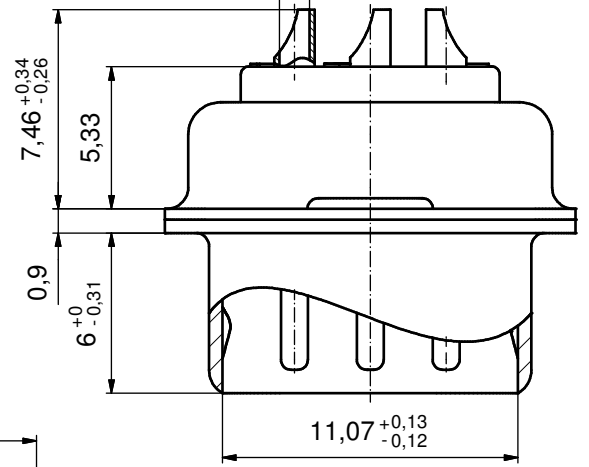


Ø1,12 (41x)

(5:1)



NOTES:

1. METAL SHELLS: STEEL; min. 315µm TIN over 40-80µm NICKEL
2. INSULATORS: PBT GF UL 94 V-0, GREEN
3. SIGNAL CONTACTS: COPPER ALLOY
PLATING: GOLD FLASH over NICKEL
SOLDER CUP ACCEPTS CABLE AWG 20
4. NO CONTACTS ON POS. A1 - A2
5. CONNECTOR IS PART MARKED: 3043W2PAM99A10X CONEC ABC

RoHS compliant

THIS DRAWING MAY NOT BE COPIED OR REPRODUCED IN ANY WAY, AND MAY NOT BE PASSED ON TO A THIRD PARTY WITHOUT WRITTEN PERMISSION. OWNERSHIP AND COPYRIGHT OF CONEC GmbH DO NOT ALTER CAD DRAWING BY HAND	tolerance		dim. in mm	scale: 2:1 (5:1)		
				material: SEE NOTES		
	drawn	05.07.16	Henneboel		title: D-SUB COMBINATION MALE 43W2P SOLDER CUP	
	appd.	05.07.16	Lehmenkühler			
	norm					
d-old				dwg no:	DIN-A3	
a	Original			13K1A5245		
rev.	description			date	name	part no:

sh: 1