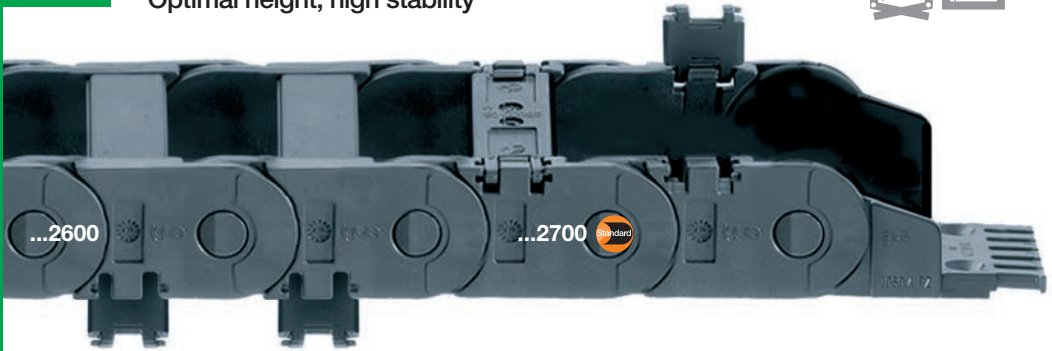


Optimal height, high stability



e-chains® | Series 2600 snap-open along inner radius

e-chains® | Series 2700 snap-open along outer radius

e-chains® snap-open along inner radius	e-chains® snap-open along outer radius	<i>Bi</i> [mm]	<i>Ba</i> [mm]	<i>R</i> Bending radii [mm]	2600 [kg/m]	2700 [kg/m]
2600.05 .R.0	2700.05 .R.0	50	66	063 075 100 125 150 175 200 250	≈ 1,17	≈ 1,17
2600.06 .R.0	2700.06 .R.0	65	81	063 075 100 125 150 175 200 250	≈ 1,24	≈ 1,24
2600.07 .R.0	2700.07 .R.0	75	91	063 075 100 125 150 175 200 250	≈ 1,30	≈ 1,30
2600.09 .R.0	2700.09 .R.0	90	106	063 075 100 125 150 175 200 250	≈ 1,37	≈ 1,37
2600.10 .R.0	2700.10 .R.0	100	116	063 075 100 125 150 175 200 250	≈ 1,39	≈ 1,39
2600.12 .R.0	2700.12 .R.0	125	141	063 075 100 125 150 175 200 250	≈ 1,48	≈ 1,48
2600.15 .R.0	2700.15 .R.0	150	166	063 075 100 125 150 175 200 250	≈ 1,62	≈ 1,62
2600.17 .R.0	2700.17 .R.0	175	194	063 075 100 125 150 175 200 250	≈ 1,85	≈ 1,85

Half e-tubes, Series 2650 and full e-tubes Series 2680 ► from page 304

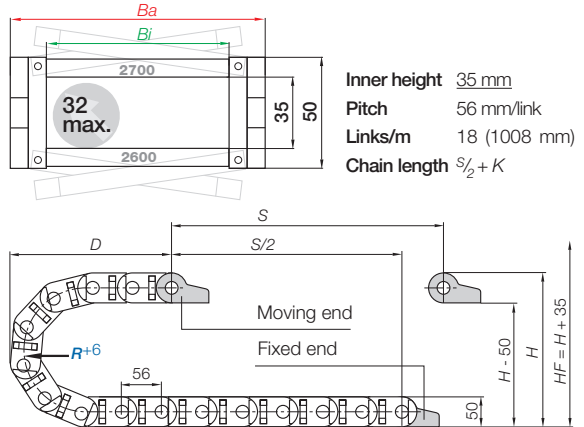
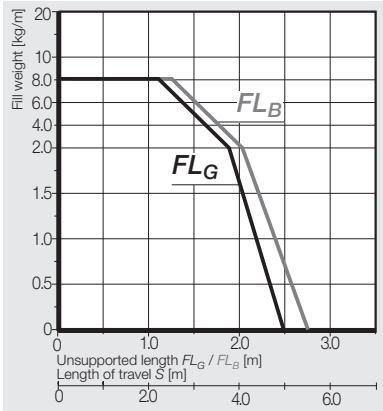
Supplement Part No. with required radius (*R*). Example: 2700.05.100.0ESD/ATEX permanently conductive e-chains® - 2700 several widths with delivery from stock:
Inner widths *Bi* 50 - 125, radii *R* 063 - 150. Full ESD delivery program ► www.igus.eu/ESD

Open e-chains® in a flash with the igus® e-chain® opener

Reduce assembly time from 33 to 2 sec. with the igus® e-chain® Opener. Open a long piece of e-chain® in one go. Part No. 908.254.2600 for Series 2600/2700. For widths *Bi* [mm]: 06, 07, 09, 10More information and video ► www.igus.eu/savetime



Unsupported applications | Short travels

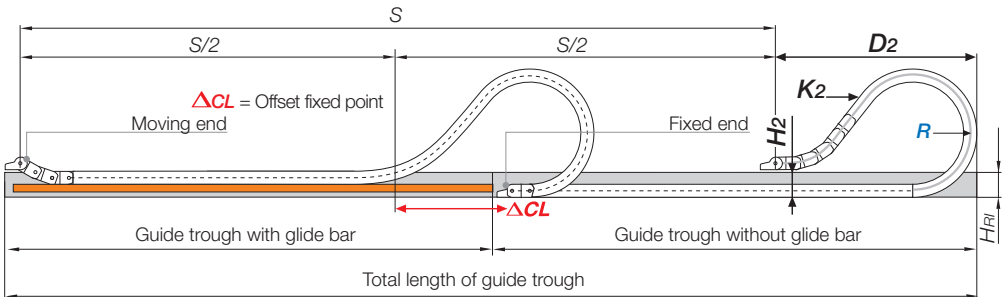


R	063	075	100	125	150	175	200	250
H	176	200	250	300	350	400	450	550
D	172	184	209	234	259	284	309	359
K	310	350	430	505	585	665	745	900

The required clearance height: $H_F = H + 35$ mm (with 2,0 kg/m fill weight)

Before using Series 2600 on long travels please consult igus®.

Gliding applications | Long travels from 10 m to max. 120 m



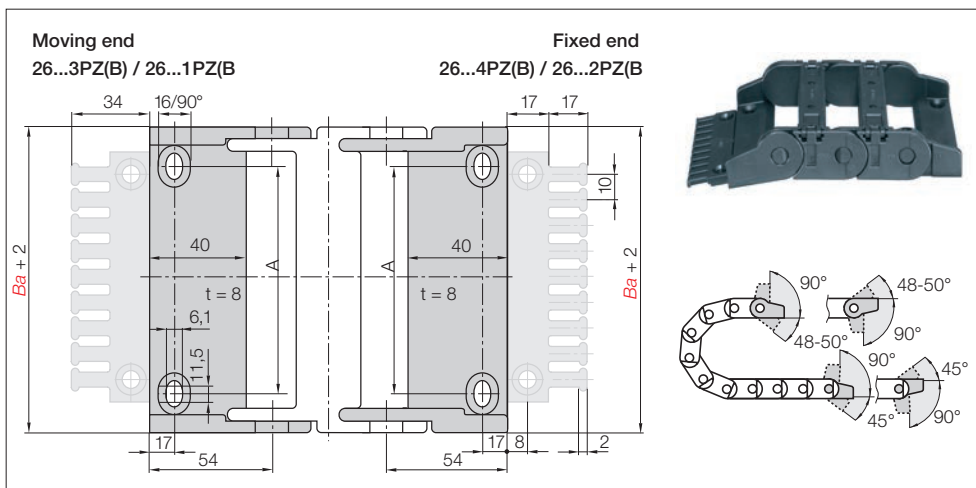
Note: For using Series 2600 for long travels (gliding), please consult igus® first.

For long travels, igus® specifies **Series 2700** that snaps open along the outer radius.

In case of travels between 5 and 10 m we recommend a longer unsupported length. **Chain length** $S/2 + K_2$

R	063	075	100	125	150	175	200	250
H ₂	130	150	166	166	166	166	166	166
D ₂₊₂₅	140	150	350	475	500	655	770	950
K ₂	335	375	616	784	896	1120	1288	1624
ΔACL	-	-	144	244	244	374	464	594

Before using Series 2600 on long travels please consult igus®.

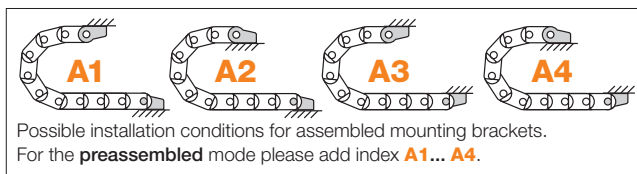


Polymer pivoting | Recommended for unsupported and gliding applications | **Standard**

Polymer locking | Recommended for vertical hanging and standing applications

Width Index	Standard	Part No. full set pivoting :		Part No. full set locking :		Dim. A [mm]	Number of teeth
		with tiewrap plates	without tiewrap plates	with tiewrap plates	without tiewrap plates		
.05.	▶	2605.34PZB	2605.34PZ	2605.12PZB	2605.12PZ	30	5
.06.	▶	2606.34PZB	2606.34PZ	2606.12PZB	2606.12PZ	45	5
.07.	▶	2607.34PZB	2607.34PZ	2607.12PZB	2607.12PZ	55	7
.09.	▶	2609.34PZB	2609.34PZ	2609.12PZB	2609.12PZ	70	9
.10.	▶	2610.34PZB	2610.34PZ	2610.12PZB	2610.12PZ	80	10
.12.	▶	2612.34PZB	2612.34PZ	2612.12PZB	2612.12PZ	105	12
.15.	▶	2615.34PZB	2615.34PZ	2615.12PZB	2615.12PZ	130	15
.17.	▶	2617.34PZB	2617.34PZ	2617.12PZB	2617.12PZ	155	17

Full set with tiewrap plate + 10 cable tiewraps, please add index **K1** ▶ e.g. 2605.34PZBK1



Part No. structure

2605.34PZB A1

A...must be indicated on preassembled configurations

With strain relief tiewrap plates

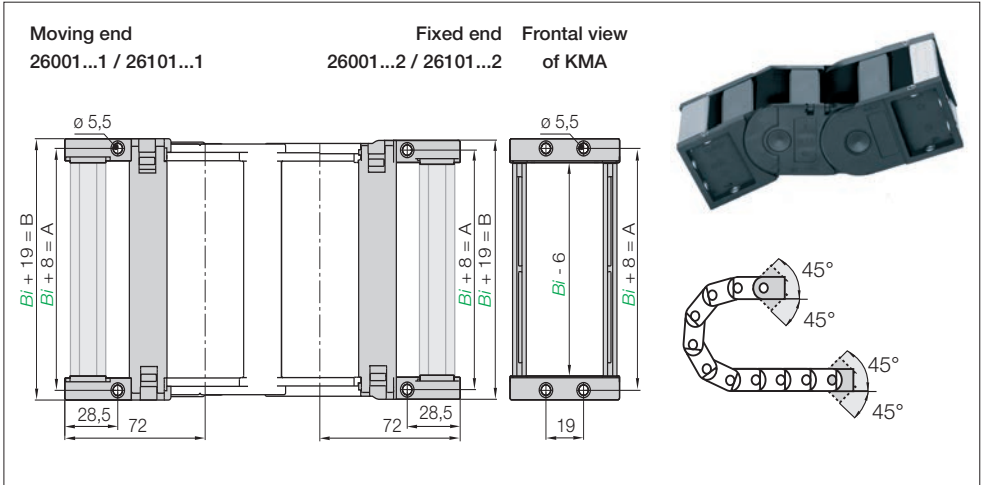
Full set pivoting = 34

Mounting bracket for selected width index



Strain relief e.g. clamps, tiewrap plates, nuggets and plug-in clips are available from stock. The complete chainfix range with order options ▶ from page 656

KMA mounting brackets | Attachment on all sides | pivoting | locking



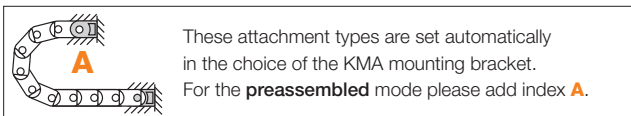
KMA pivoting | Recommended for unsupported and gliding applications

KMA locking | Recommended for vertical hanging and standing applications

Width Index	Part No. full set KMA pivoting:		Part No. full set KMA locking:		Dim. A [mm]	Dim. B [mm]
	with C-profile	without C-profile	with C-profile	without C-profile		
.05.	▶ 26001.05.12.C	26001.05.12	26101.05.12.C	26101.05.12	58	69
.06.	▶ 26001.06.12.C	26001.06.12	26101.06.12.C	26101.06.12	73	84
.07.	▶ 26001.07.12.C	26001.07.12	26101.07.12.C	26101.07.12	83	94
.09.	▶ 26001.09.12.C	26001.09.12	26101.09.12.C	26101.09.12	98	109
.10.	▶ 26001.10.12.C	26001.10.12	26101.10.12.C	26101.10.12	108	119
.12.	▶ 26001.12.12.C	26001.12.12	26101.12.12.C	26101.12.12	133	144
.15.	▶ 26001.15.12.C	26001.15.12	26101.15.12.C	26101.15.12	158	169
.17.	▶ 26001.17.12.C	26001.17.12	26101.17.12.C	26101.17.12	183	194

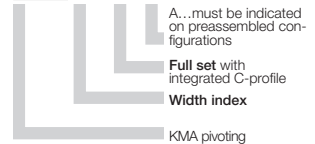
KMA pivoting to one side: **Moving end 26101...3 / Fixed end 26101...4**

(KMA = Polymer Metal Mounting Bracket)



Part No. structure

26001. 05. 12.C A



Option: Steel **locking** Part No. 260.12 - For e-chains® and e-tubes available

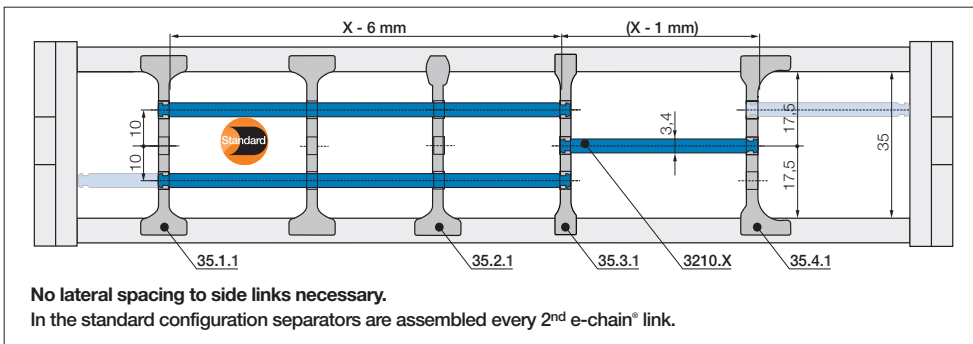

● Locked connections ● One part (2-piece) for all e-chain® widths ● Electrically conductive



Strain relief e.g. clamps, tie-wrap plates, nuggets and plug-in clips are available from stock. The complete chainfix range with order options ▶ from page 656

Interior separation | New generation


Previous interior separation with optional elements ► www.igus.eu/2600 ► www.igus.eu/2700

Standard separator, wide base

unassembled	35.1
assembled	35.1.1


Standard - for all applications
Separator with a wide base for maximum locking strength and safe standing in e-chains®.



Separator, narrow head

unassembled	35.2
assembled	35.2.1


For even faster installation
Firm hold to one side with a wide base, narrow on opposed side for easy cable assembly (slight grip).



Separator, narrow base

unassembled	35.3
assembled	35.3.1


For many thin cables
Separator with a narrow base for a large number of thin cables side by side. Saves space in e-chains®.



Separator, asymmetrical

unassembled	35.4
assembled	35.4.1

For side-mounted applications
Asymmetrical separator, for defined distance.
No additional spacers necessary.



Full-width shelf, lockable

unassembled	3200.X
assembled	3210.X

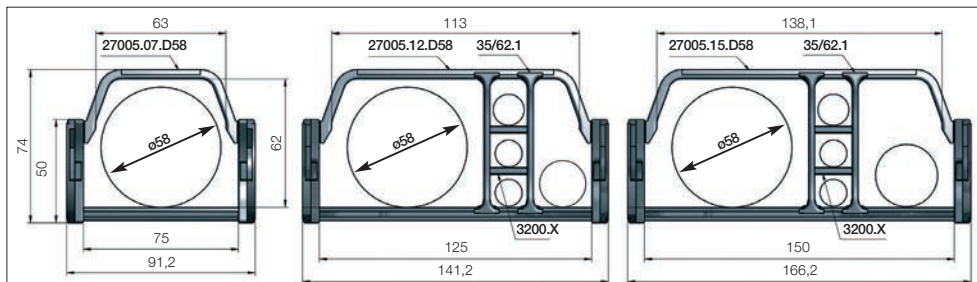
Horizontal separation
Full-width shelf locks safely into separators on both ends, fixed width possible. To be used as full-width shelf for a consequent subdivision or as shelf for a pattern system in 3 levels.

Lockable full-width shelves - for the standard interior separation



Width X [mm]	unassembled	assembled	Width X [mm]	unassembled	assembled	Width X [mm]	unassembled	assembled
050	3200.050	3210.050	125	3200.125	3210.125	225	3200.225	3210.225
075	3200.075	3210.075	150	3200.150	3210.150	250	3200.250	3210.250
100	3200.100	3210.100	175	3200.175	3210.175			
115	3200.115	3210.115	200	3200.200	3210.200			

Extender crossbars



Extender crossbars - Enormous increase of the interior for the smooth guiding of larger hoses.
Suitable for hoses with an outer diameter of max. 58 mm.

Extender crossbars for e-chains® snap-open along inner radius	Extender crossbars for e-chains® snap-open along outer radius	<i>Bi</i> [mm]	<i>Ba</i> [mm]	<i>R</i> Bending radii [mm]
2600.07 D58.R.0	2700.07 D58.R.0	75	91	063* 075* 100 125 150 175 200 250
2600.12 D58.R.0	2700.12 D58.R.0	125	141	063* 075* 100 125 150 175 200 250
2600.15 D58.R.0	2700.15 D58.R.0	150	166	063* 075* 100 125 150 175 200 250

*Radius 055 only possible with e-chains® Series 2700

Supplement Part No. with required radius (*R*). Example: 2700.15D58.100.0

Interior separation for extender crossbars

Standard separator, wide base
unassembled 35/62.1
assembled 35/62.1.1

Standard separator, wide base

For maximum locking strength and safe standing. In standard configuration separators are assembled every 2nd link.

Full-width shelf, lockable
unassembled 3200.X
assembled 3210.X

Horizontal separation

Full-width shelf locks safely into separators on both ends, fixed width possible. Separators can be moved freely over the shelf in horizontal direction. Can be arranged at 5 different heights.

Separator with integrated strain relief

Strain relief separator Part No. 262.Z can be integrated into the mounting bracket and can be placed there at any point of the e-chain®. It combines strain relief and interior separation, it can be installed on the first or last e-chain® link and is easy to assemble without any screws. **More information ► from page 676**



Optional: Support tray tool kit.

For support of the lower run.

Simple one-piece support trays according to your requirements and specification. The complete range with order options ► from page 740

