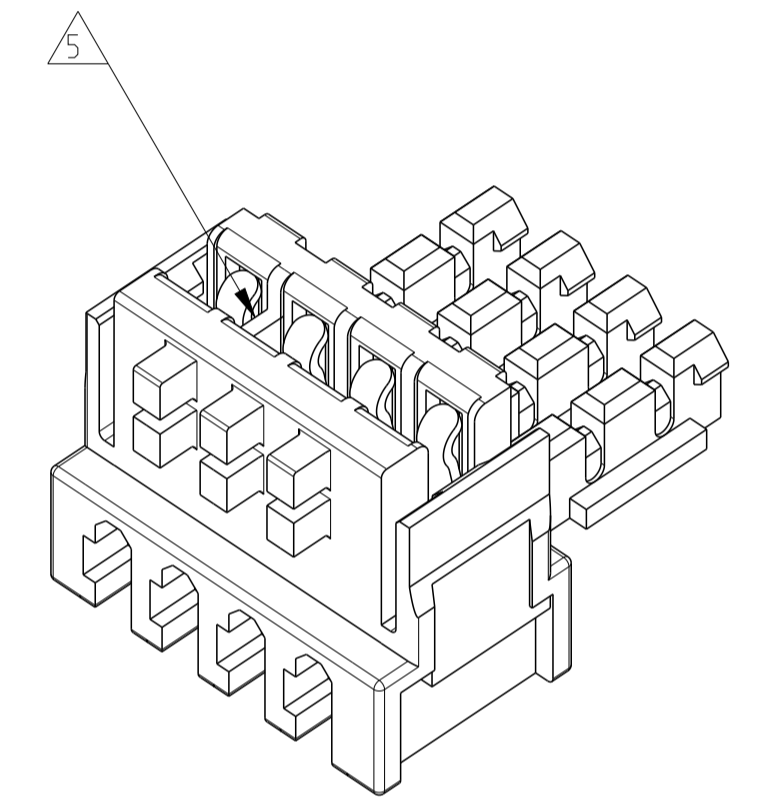
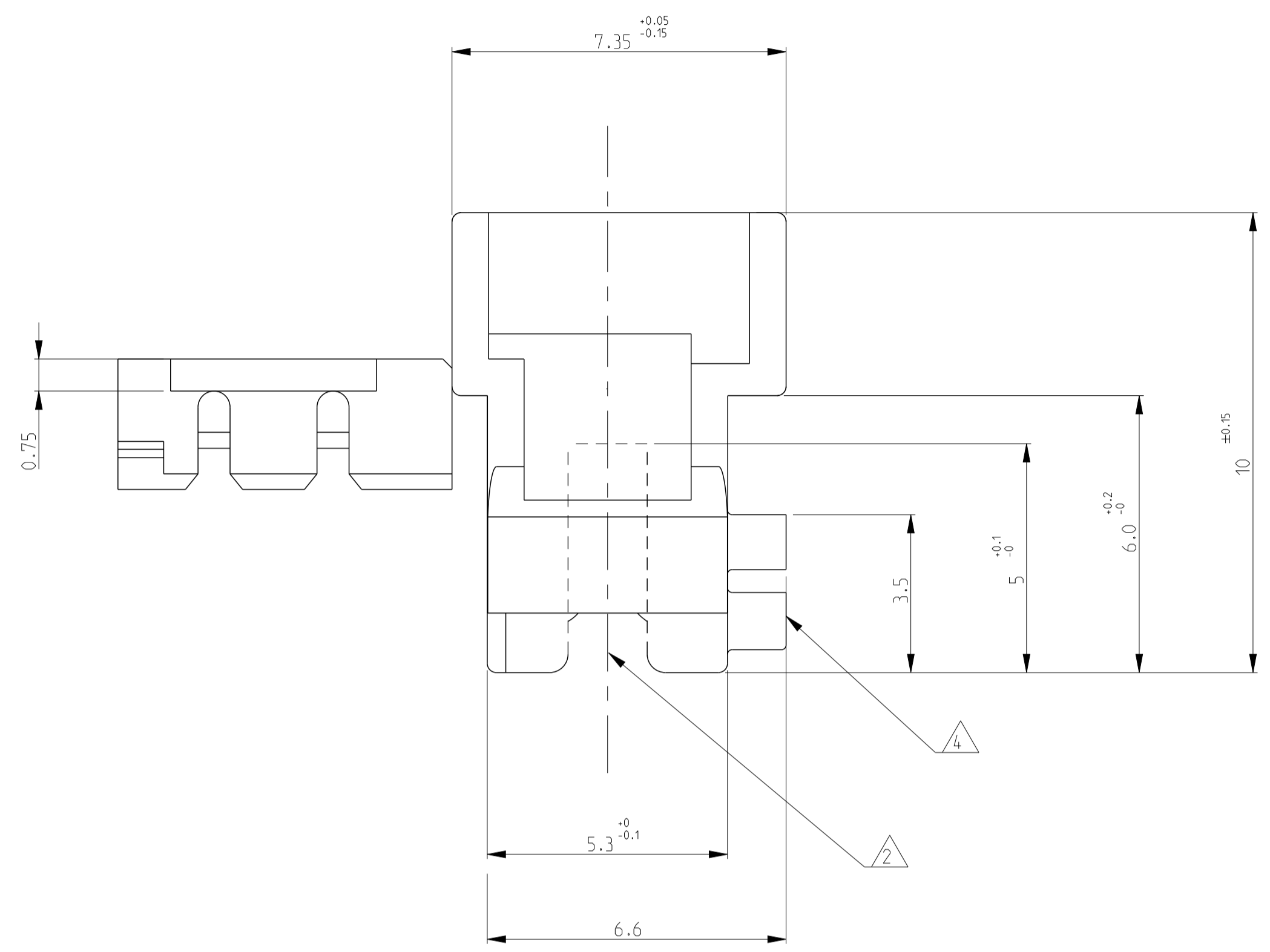
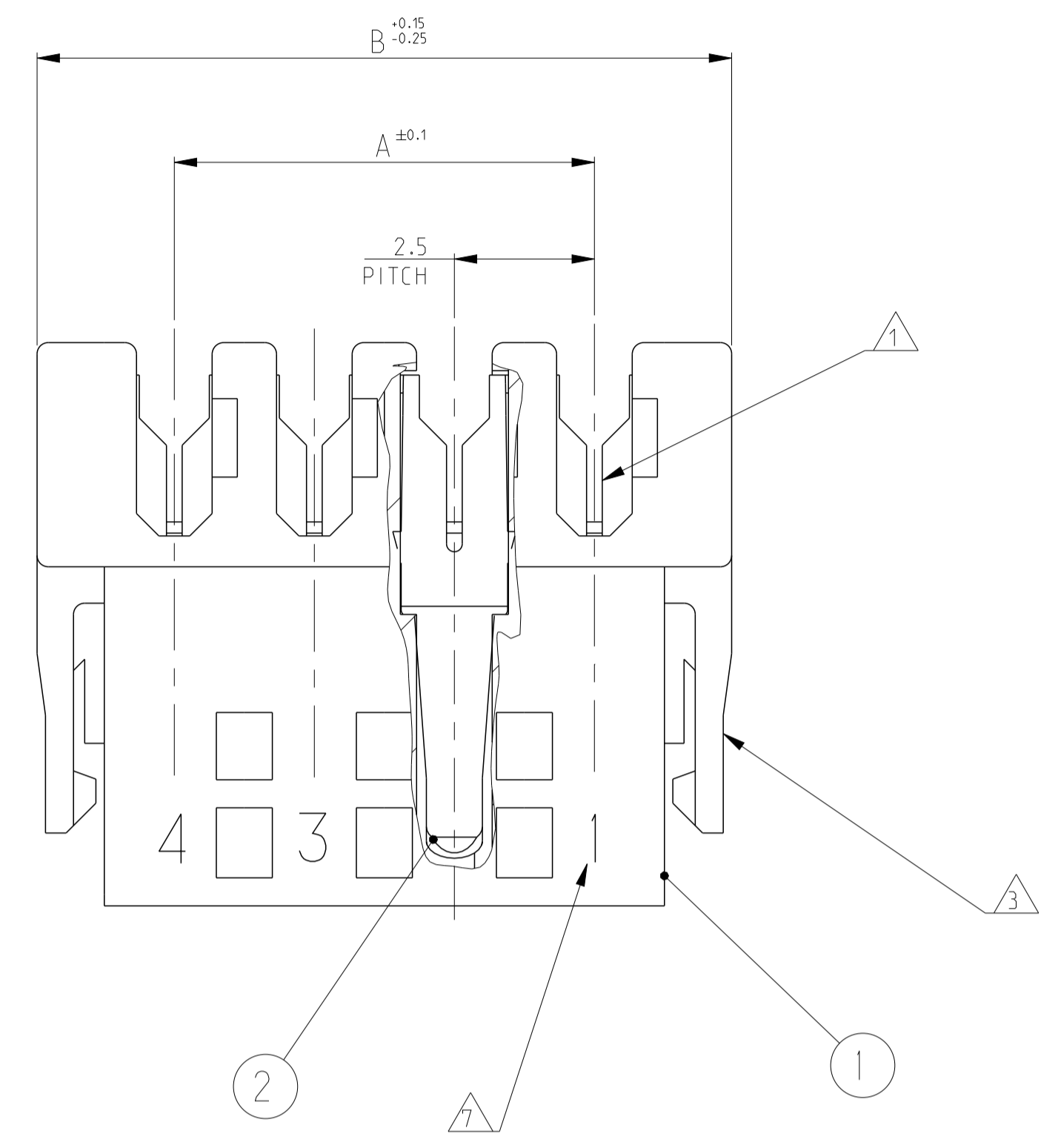
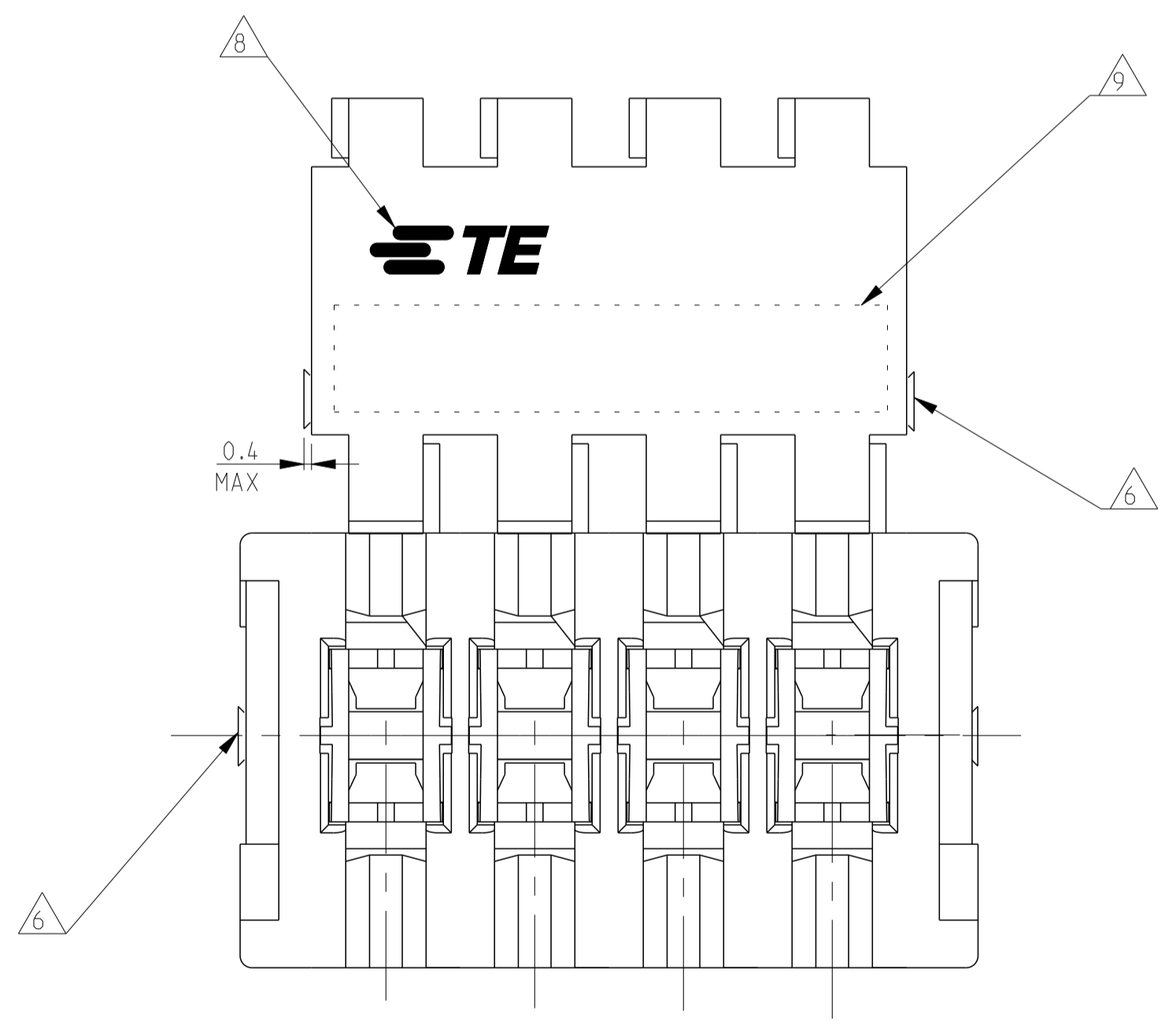


LOC	DIST	REVISIONS					
		P.	LTN	DESCRIPTION	DATE	DWN	APVD
		A17		REVISED PER ECR-15-012073	13AUG2015	NK	W W
		A18		ECR-15-016952	09DEC2015	KD	RR
		A19		ECR-16-016334	18NOV2016	FV	RR
		A20		ECR-17-009651	19JUL2017	RS	DC



SCALE 5:1



- ① WIRE RANGE : STRANDED 0.22-0.35 mm<sup>2</sup> (INS. DIA. 1.30±0.1)
- ② MATING PART: P.C.B. EDGE, DOUBLE SIDE, THK 1.5 (COPPER CLADDING INCLUDED)
- ③ SIDE LOCKING DEVICE
- ④ KEYING RIBS TO BE REMOVED BY TERMINATION MACHINE
- ⑤ POLARIZATION RIBS BETWEEN CAVITIES
- ⑥ CUT OFF DIMENSION DUE TO PRODUCTION PROCESS
- ⑦ CIRCUIT No. IDENTIFICATION
- ⑧ TE TRADEMARK (OPTIONAL POSITION)
- ⑨ TAMPOGRAPHIC COLOUR CODE AREA (P/Ns IDENTIFICATION BEFORE CRIMPING AREA)
- ⑩ FOR PCB LAYOUT, SEE PAGES 2-3  
FOR CONNECTION VIEW LAYOUT, SEE PAGE 3
- ⑪ NOT YET RELEASED FOR PRODUCTION
- ⑫ NOT DEFINED DURING PRELIMINARY STATUS
- ⑬ PBT GF
- ⑭ PBT GF, UL94-V0 & GWEP7 750 NO-FLAME, NATURAL

COLOUR CODE	POLARIZ. RIB POS.	HSG POS.	DIM.A	DIM.B	TE P/N	TE P/N
BLACK	13/14	14	32.5	37.4	1-284865-4	2311503-4
RED	11/12	12	27.5	32.4	2-284865-2	1-2311503-2
BLACK	2/3	10	22.5	27.4	1-284865-2	2311503-2
RED	9/10	10	22.5	27.4	2-284865-0	2-2311502-0
BLACK	2/3	9	20.0	24.9	1-284865-0	1-2311502-0
BLACK	2/3	9	20.0	24.9	0-284865-9	2311502-9
RED	3/4	8	17.5	22.4	2-284865-8	1-2311502-8
BLACK	2/3	8	17.5	22.4	0-284865-8	2311502-8
BLACK	2/3	7	15.0	19.9	0-284865-7	2311502-7
-	3/4				5-284865-6	4-2311502-6
ORANGE	5/6				⑪ 4-284865-6	⑪ 3-2311502-6
<del>OBSOLETE</del>	<del>BLUE</del>	<del>1/2</del>	<del>6</del>	<del>12.5</del>	<del>3-284865-6</del>	<del>-</del>
RED	4/5				2-284865-6	1-2311502-6
BLACK	2/3				0-284865-6	2311502-6
GREY	1/2				3-284865-5	2-2311502-5
RED	3/4	5	10.0	14.9	2-284865-5	1-2311502-5
BLACK	2/3	5	10.0	14.9	0-284865-5	2311502-5
RED	3/4				3-284865-4	1-2311502-4
<del>OBSOLETE</del>	<del>RED</del>	<del>N/A</del>			<del>2-284865-4</del>	<del>-</del>
BLACK	1/2	4	7.5	12.4	0-284865-4	2311502-4
RED	1/2	3	5.0	9.9	2-284865-3	1-2311502-6
BLACK	2/3				0-284865-3	2311502-3

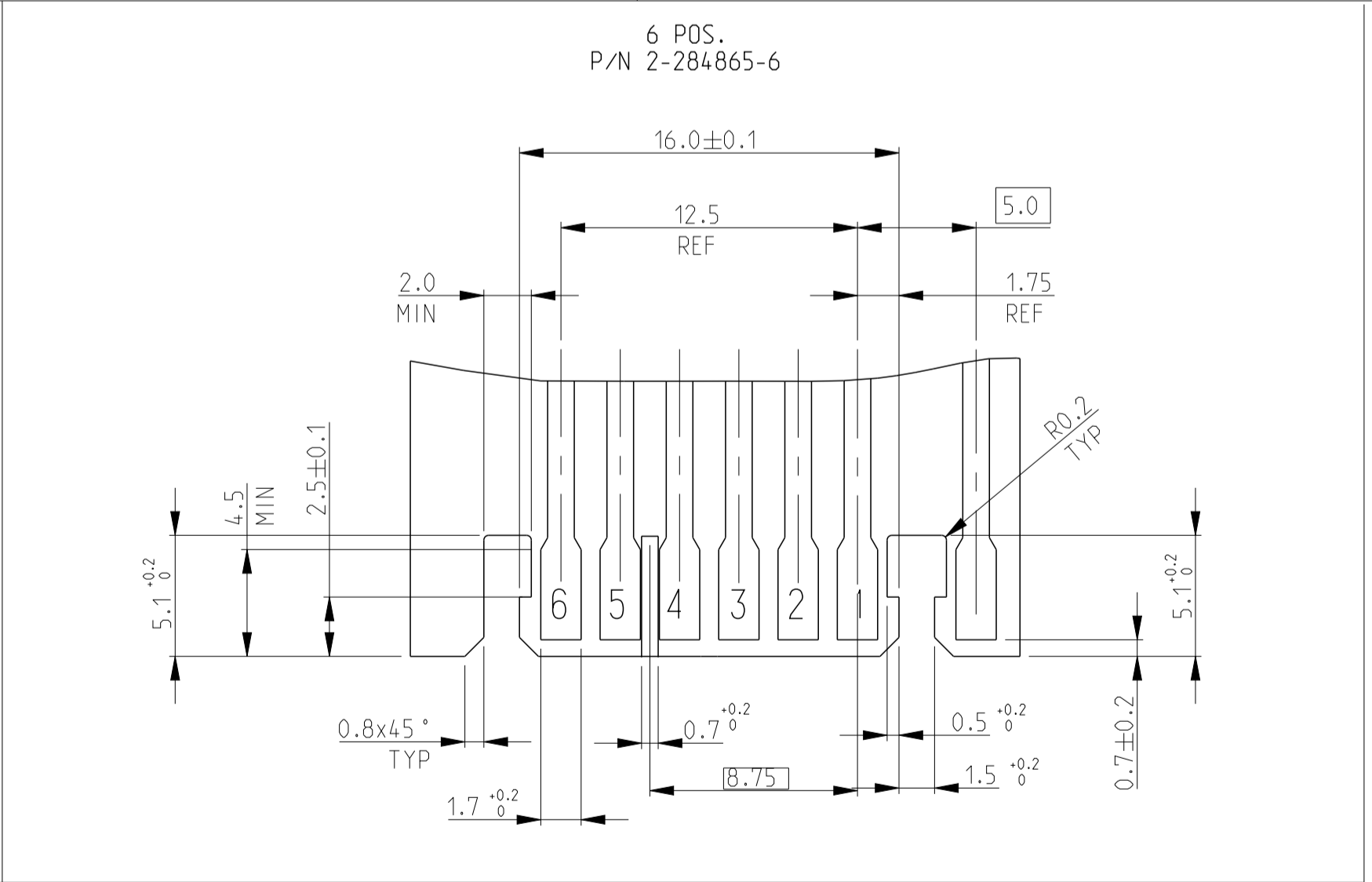
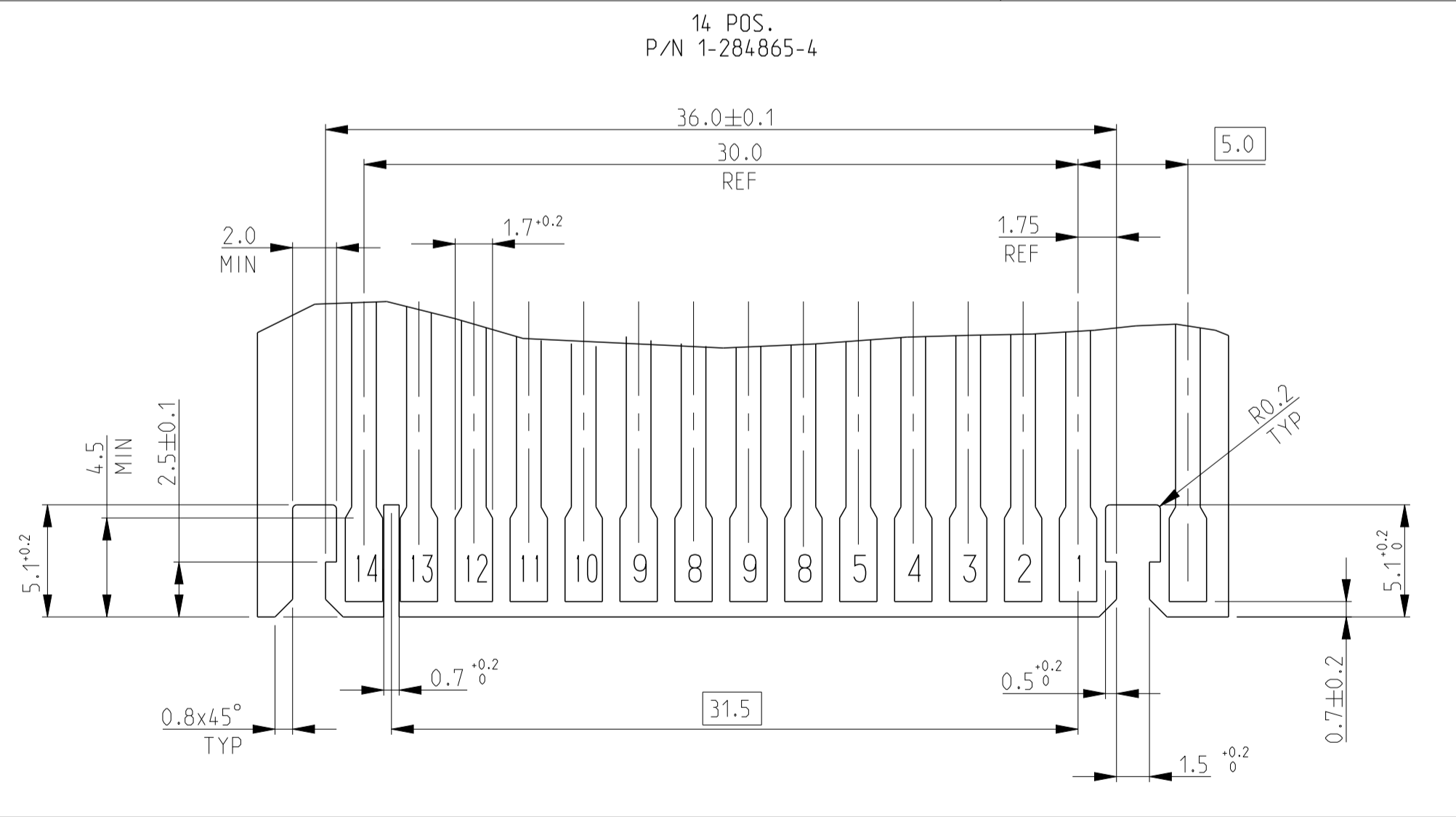
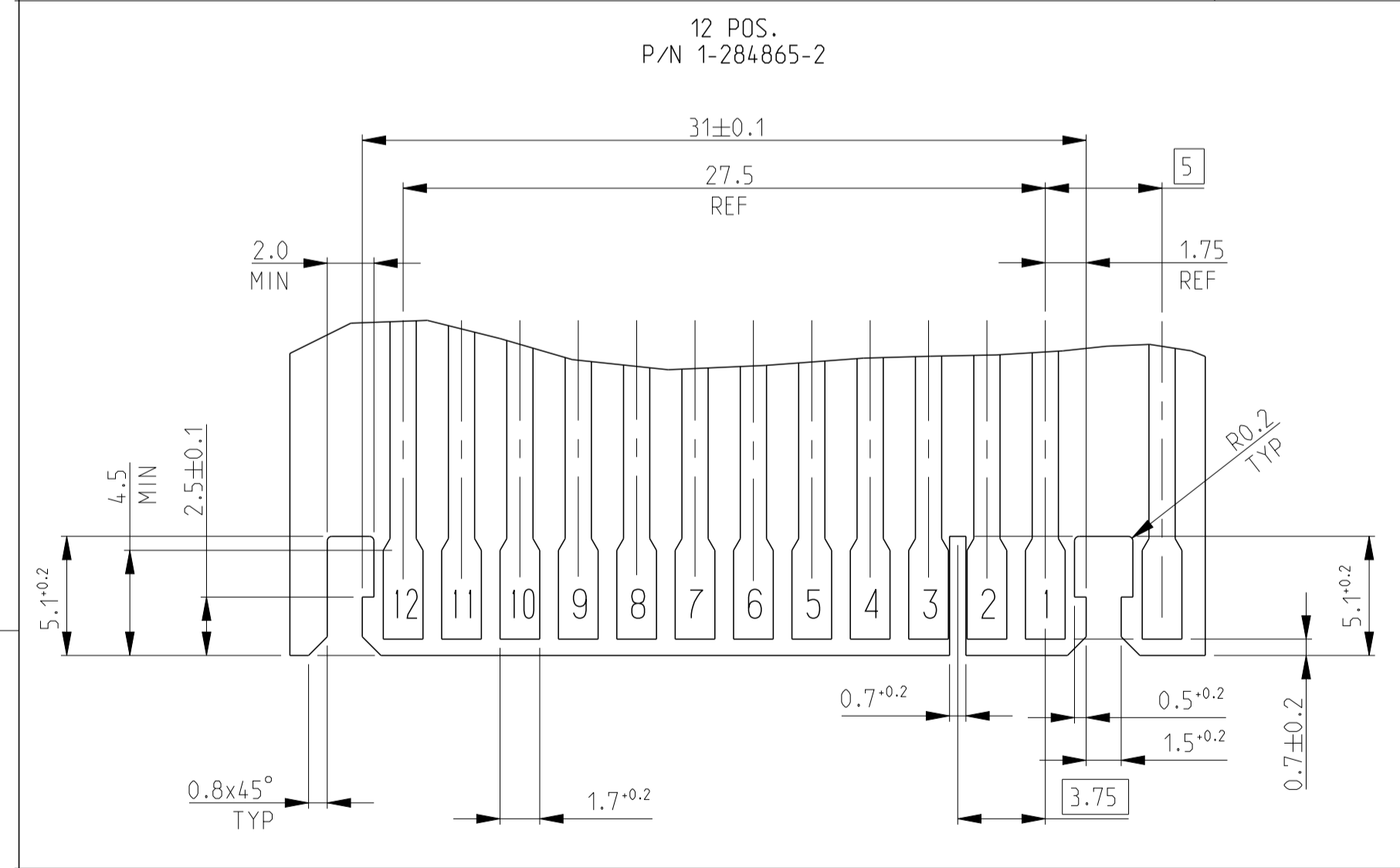
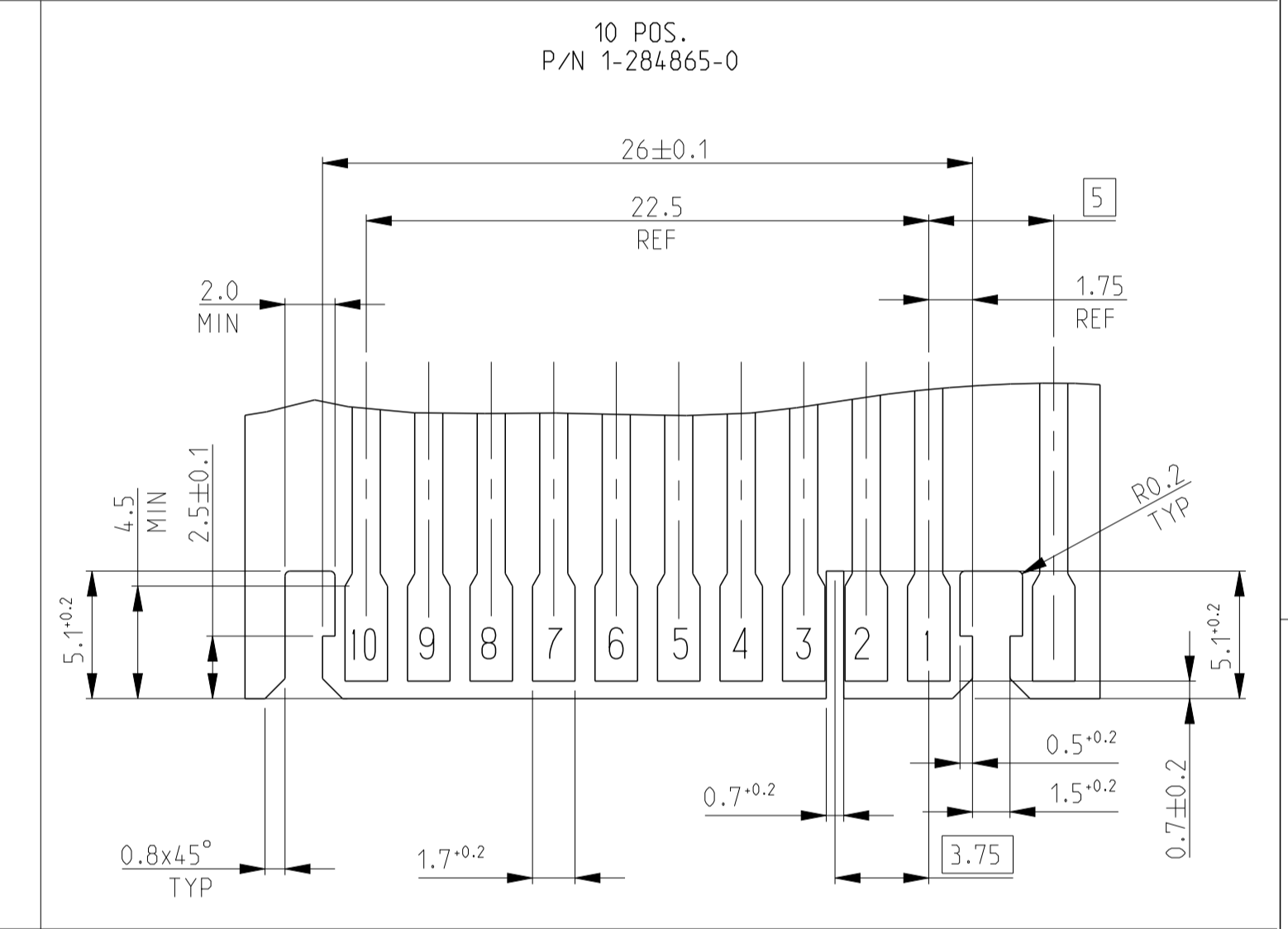
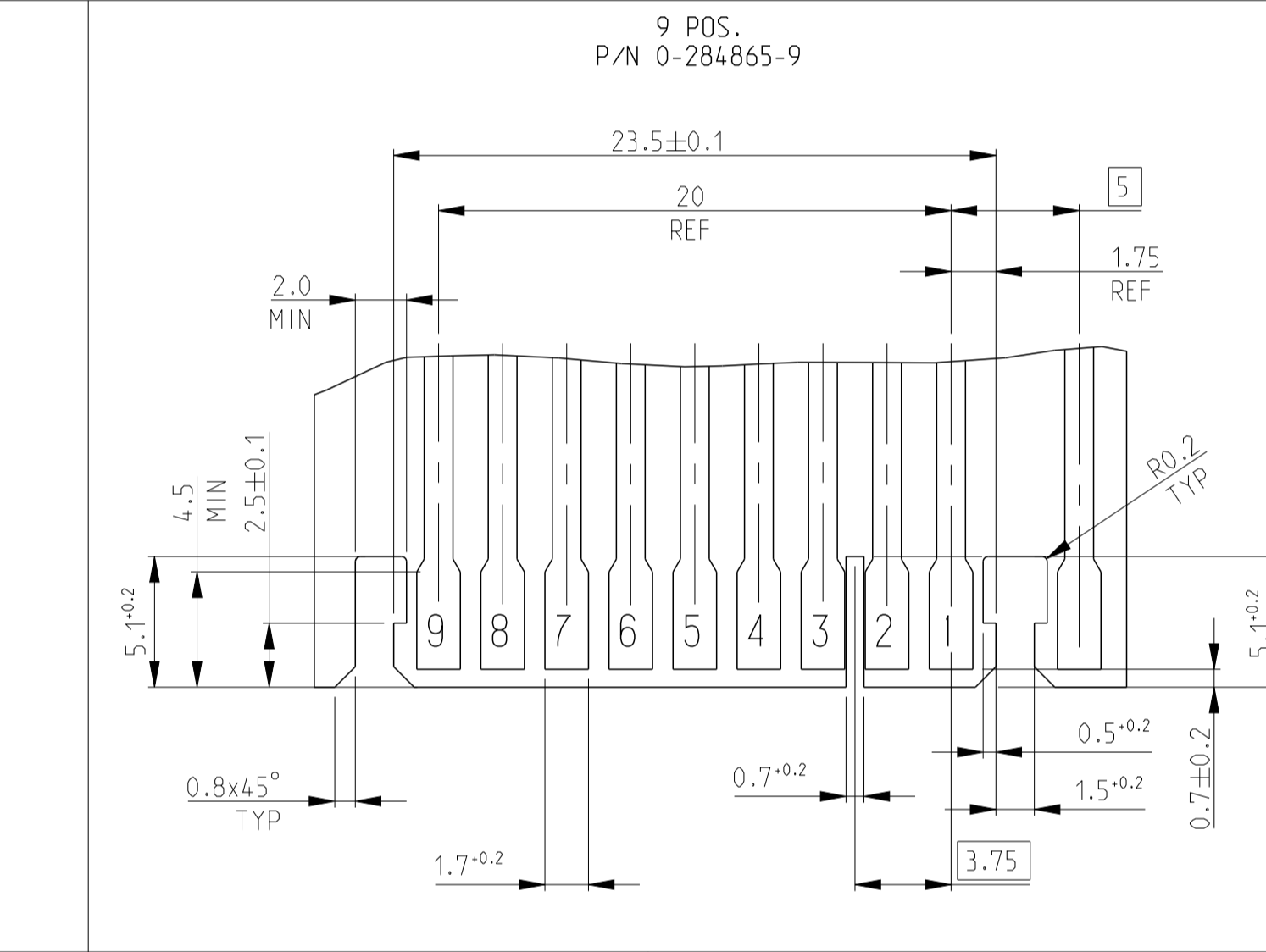
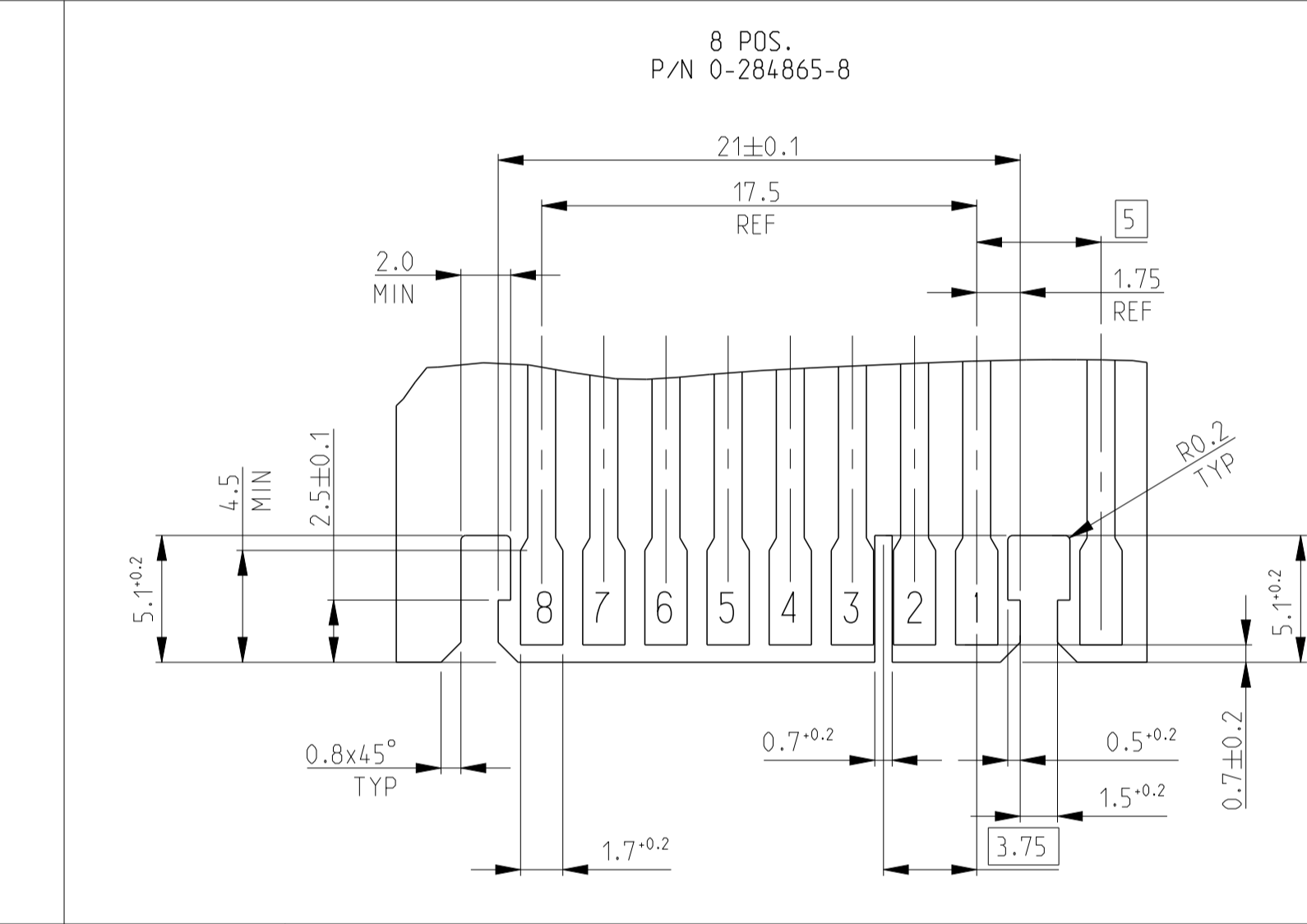
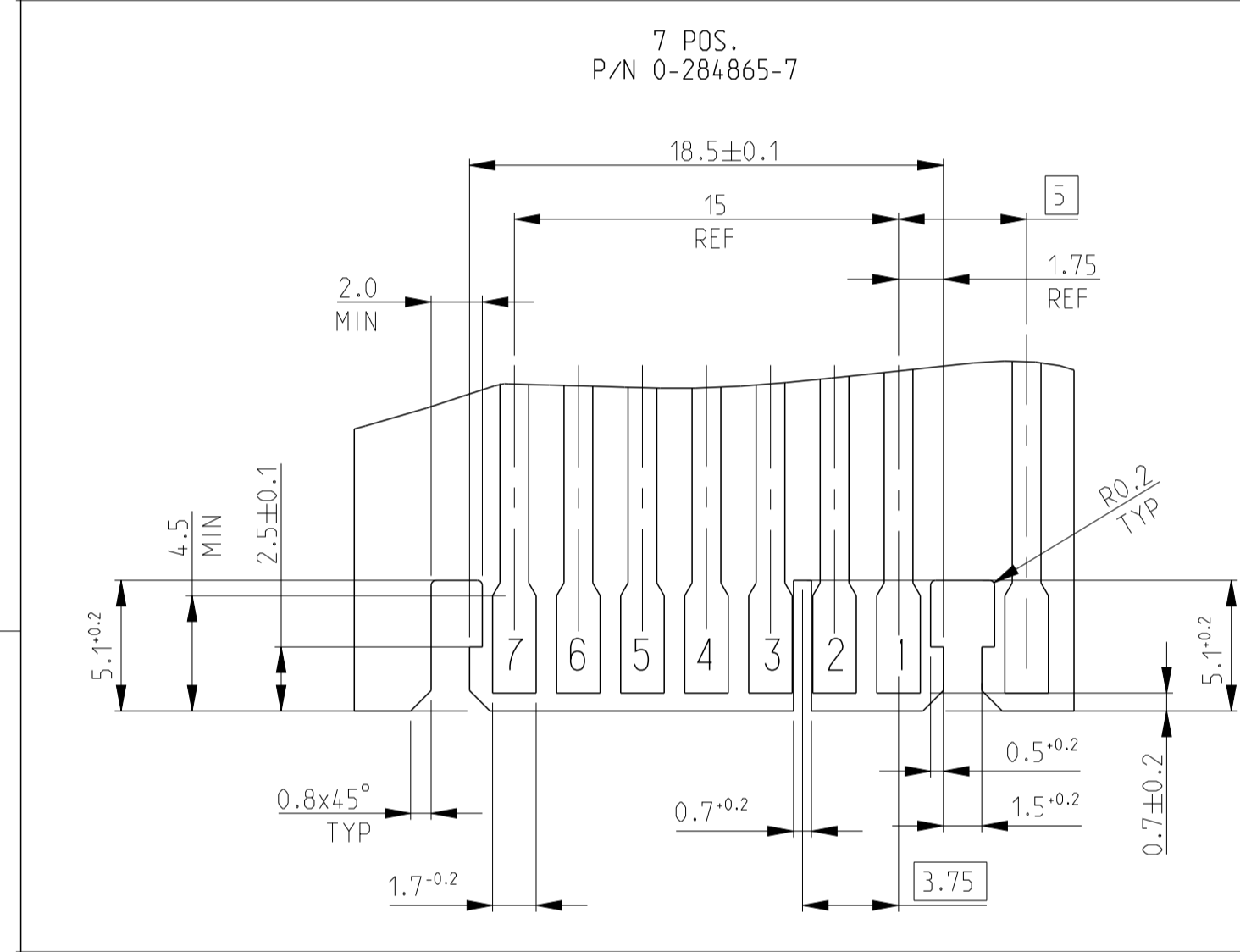
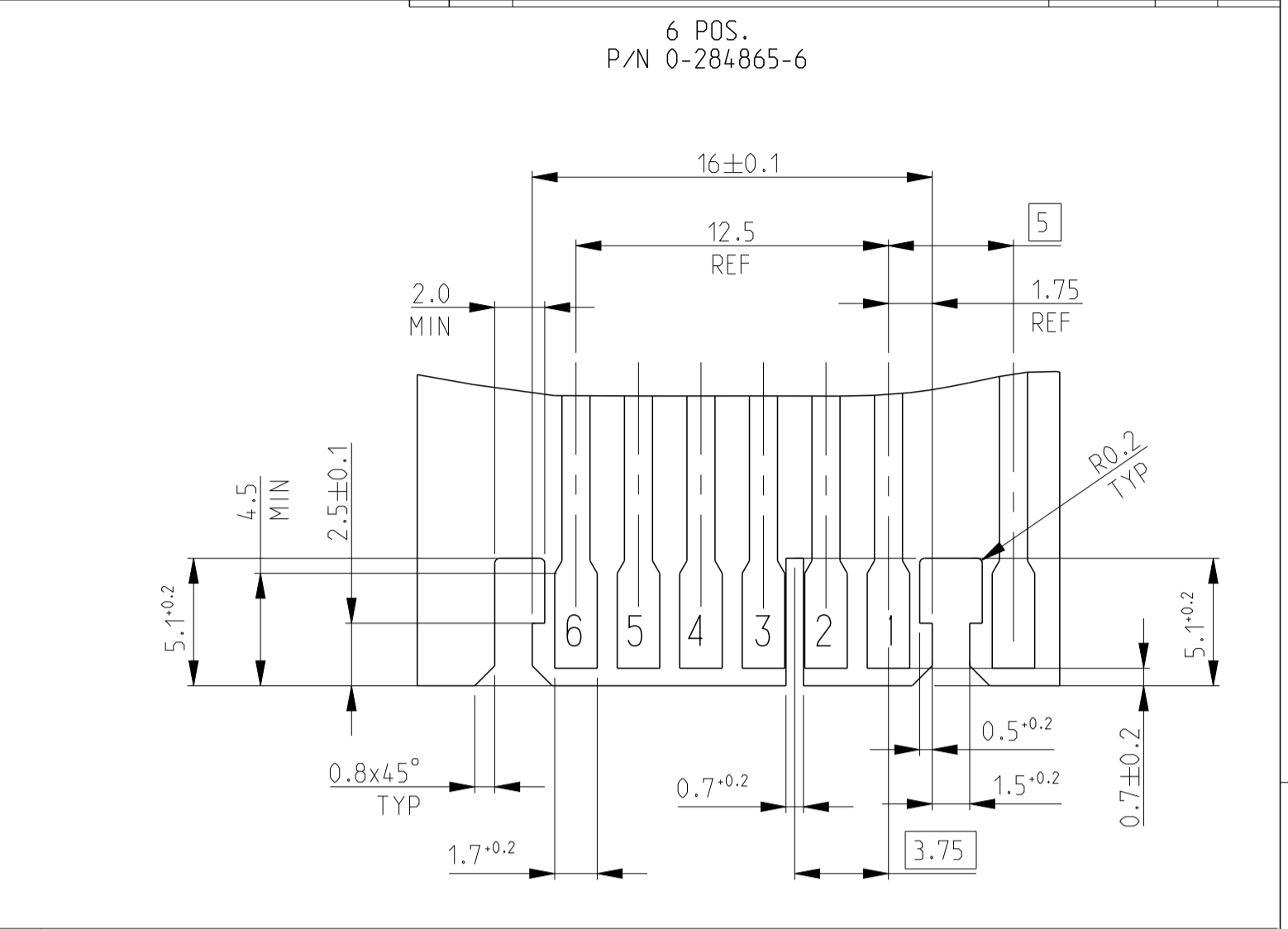
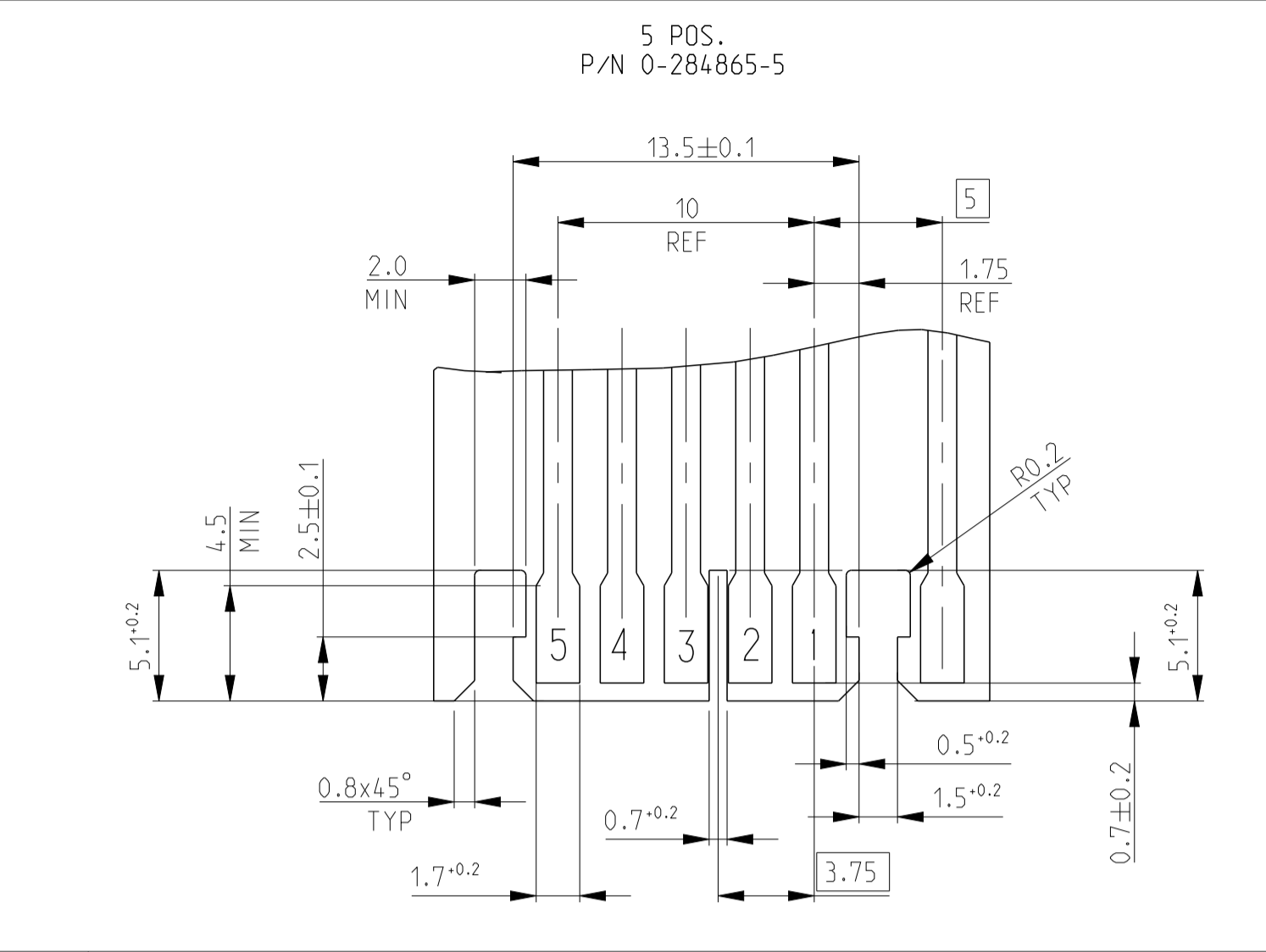
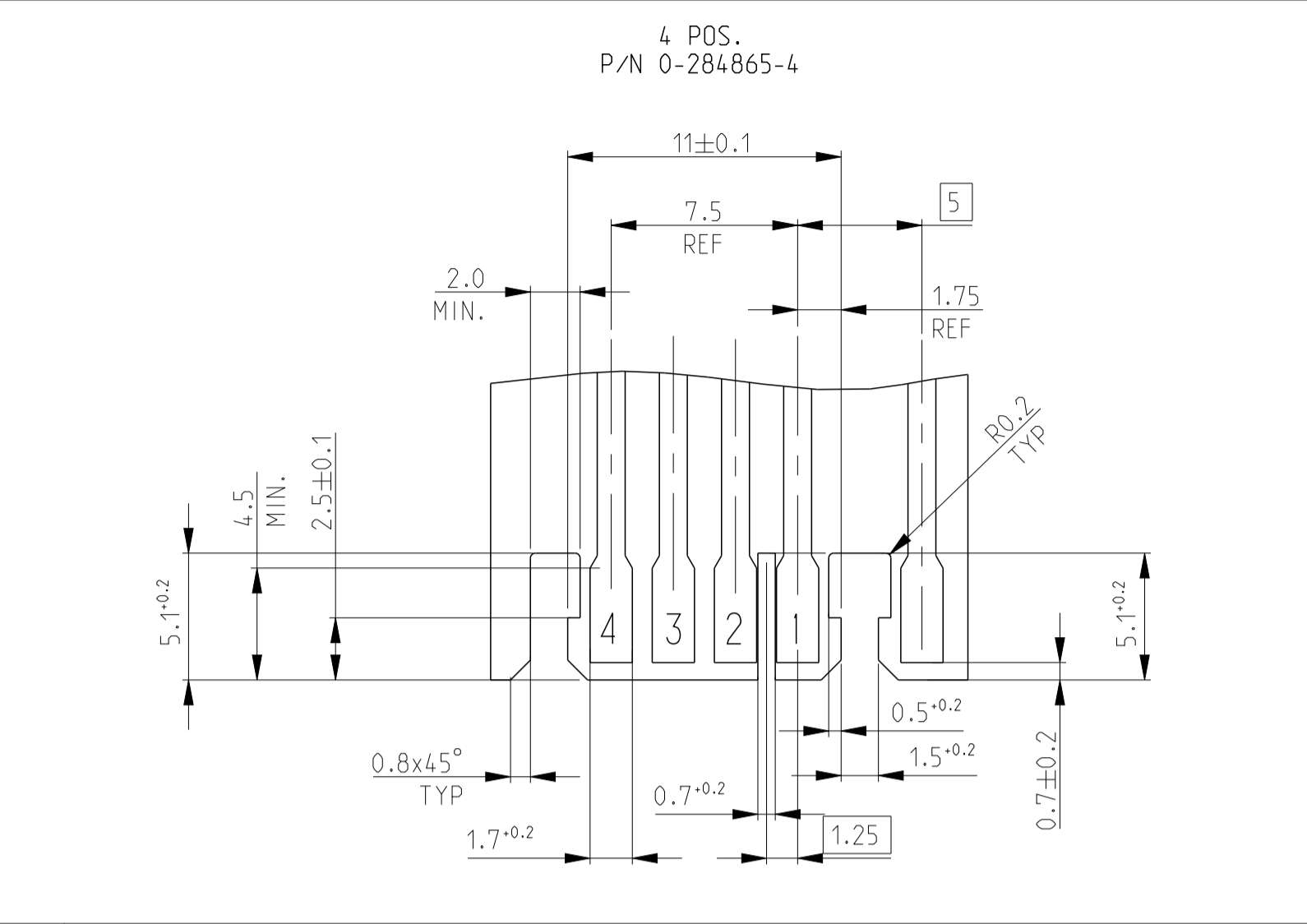
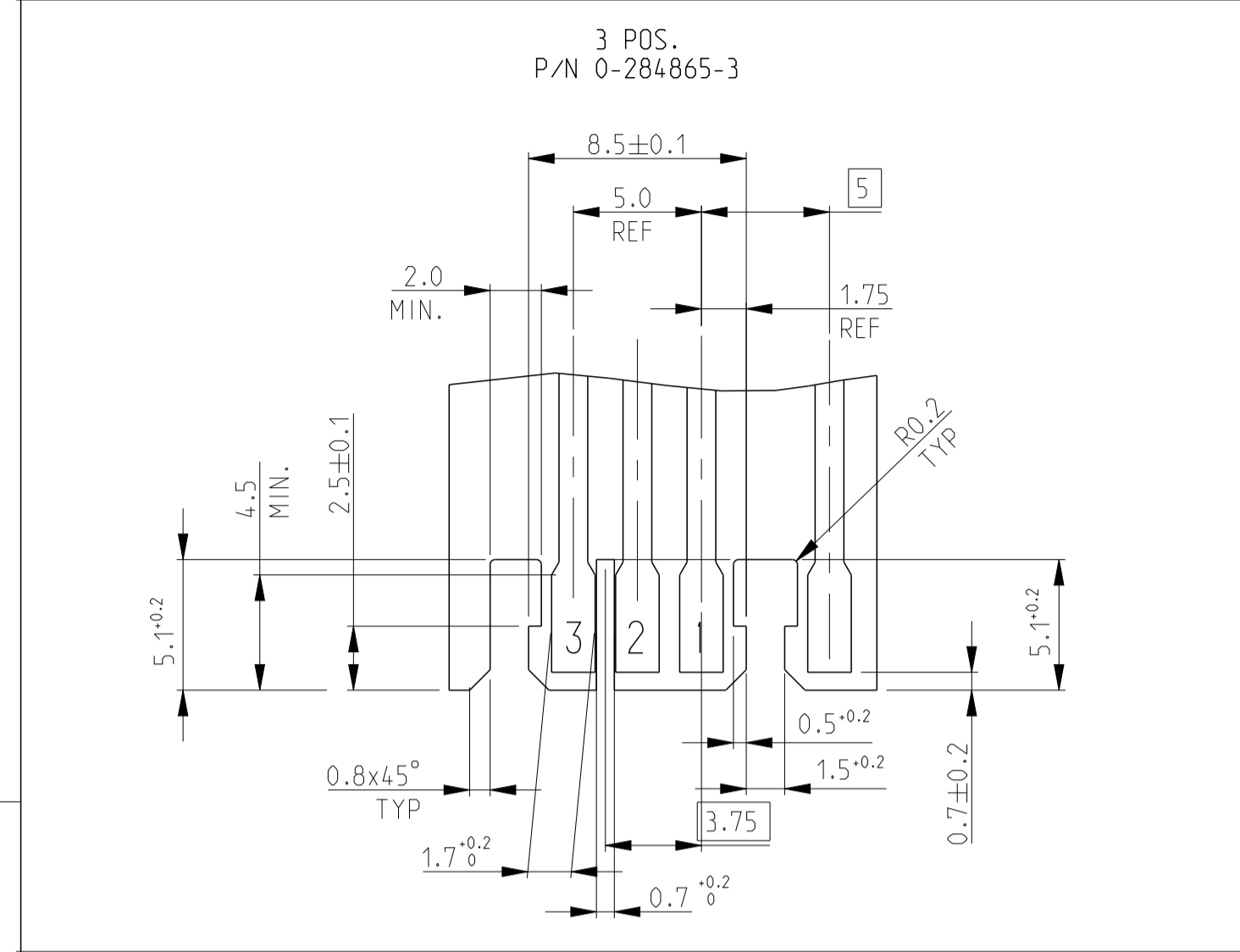
P/N 0-284865-4 AS SHOWN

-				THIS DRAWING IS A CONTROLLED DOCUMENT.		03JUL2002		TE Connectivity	
SEE TABLE	PH. BRONZE, TIN PLATED	IDC RECEPTACLE CONTACT	2	DIMENSIONS: mm	TOLERANCES UNLESS OTHERWISE SPECIFIED:	APVD: G. TURCO		NAME: DUOPLUG 2.5 FEMALE CONN., SIDE LOCKING KEYED (FULLY LOADED)	
Q.TY	MATERIAL	DESCRIPTION	ITEM	0 PLC ±0.2 1 PLC ±0.2 2 PLC ±0.2 3 PLC ±0.2 4 PLC ±0.2 ANGLES ±1°		PRODUCT SPEC: 108-20238		APPLICATION SPEC: 116-18049-1	
1		REVISIONE DELL'ASSEMBLATO (REVISION OF EACH ASSY NO)		MATERIAL: SEE TABLE	FINISH: SEE TABLE	CAGE CODE: 116-18049-1		SIZE: A1	
ELENCO DEI COMPONENTI (PARTS LIST)				Customer Drawing		SCALE: 10:1		SHEET 1 OF 4	

# PCB LAYOUT -Soldering side-

(SCALE 4:1)

LOC		DIST		REVISIONS			
		P	LTN	DESCRIPTION	DATE	OWN	APVD
		-	-	SEE SHEET 1	-	-	-



THIS DRAWING IS A CONTROLLED DOCUMENT. OWN: R. FABRIS 03JUL2002  
 CHK: -  
 DIMENSIONS: mm  
 TOLERANCES UNLESS OTHERWISE SPECIFIED:  
 0 PLC # # # # #  
 1 PLC # # # # #  
 2 PLC # # # # #  
 3 PLC # # # # #  
 4 PLC # # # # #  
 ANGLES # # # # #  
 MATERIAL: SEE TABLE  
 FINISH: SEE TABLE

Customer Drawing

APVD: E. TURCO  
 PRODUCT SPEC: 108-20238  
 APPLICATION SPEC: 116-18049-1  
 WEIGHT: -

NAME: DUOPLUG 2.5 FEMALE CONN., SIDE LOCKING KEYED (FULLY LOADED)  
 SIZE: A1  
 CAGE CODE: 00779  
 DRAWING NO: 284865

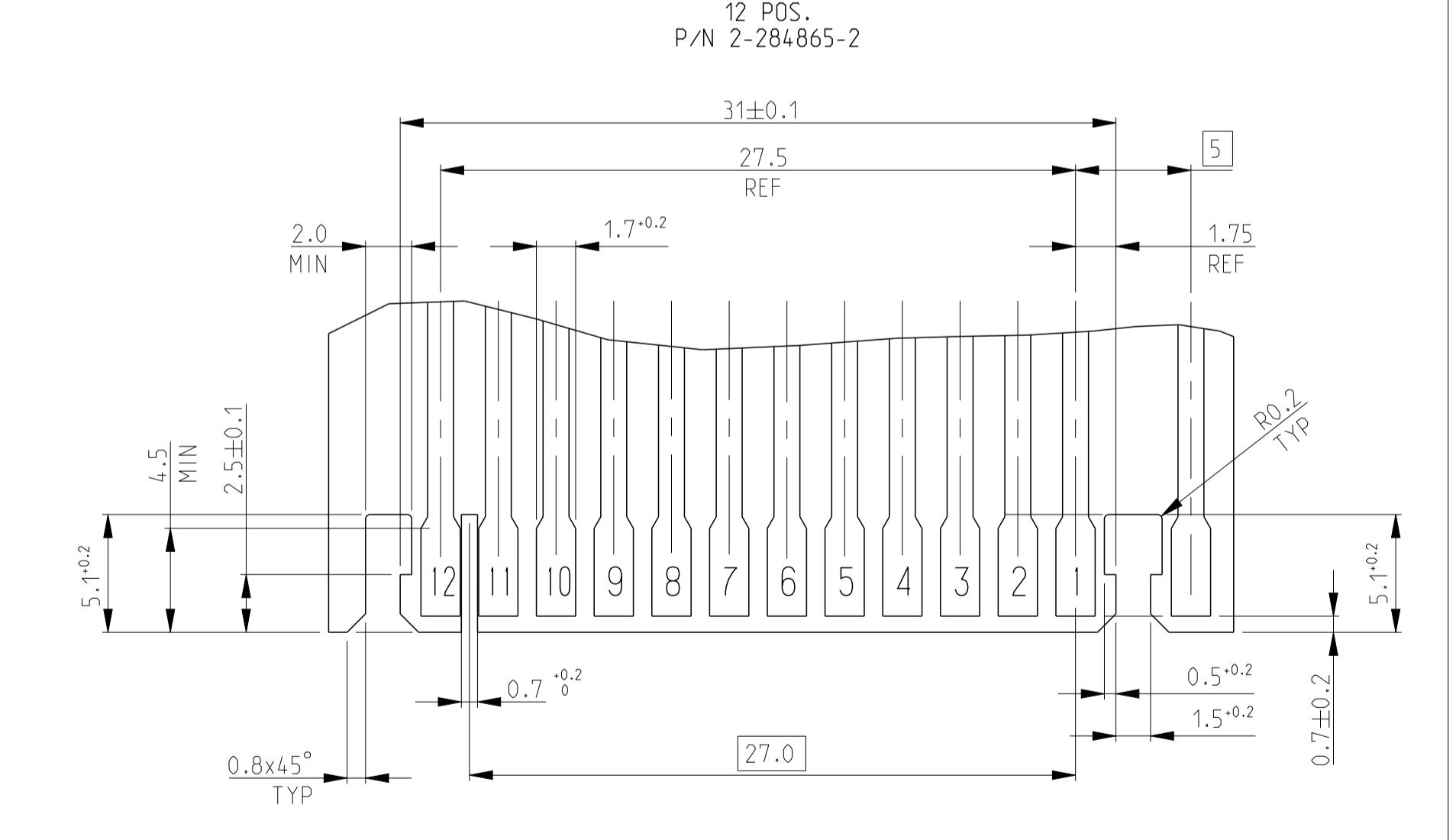
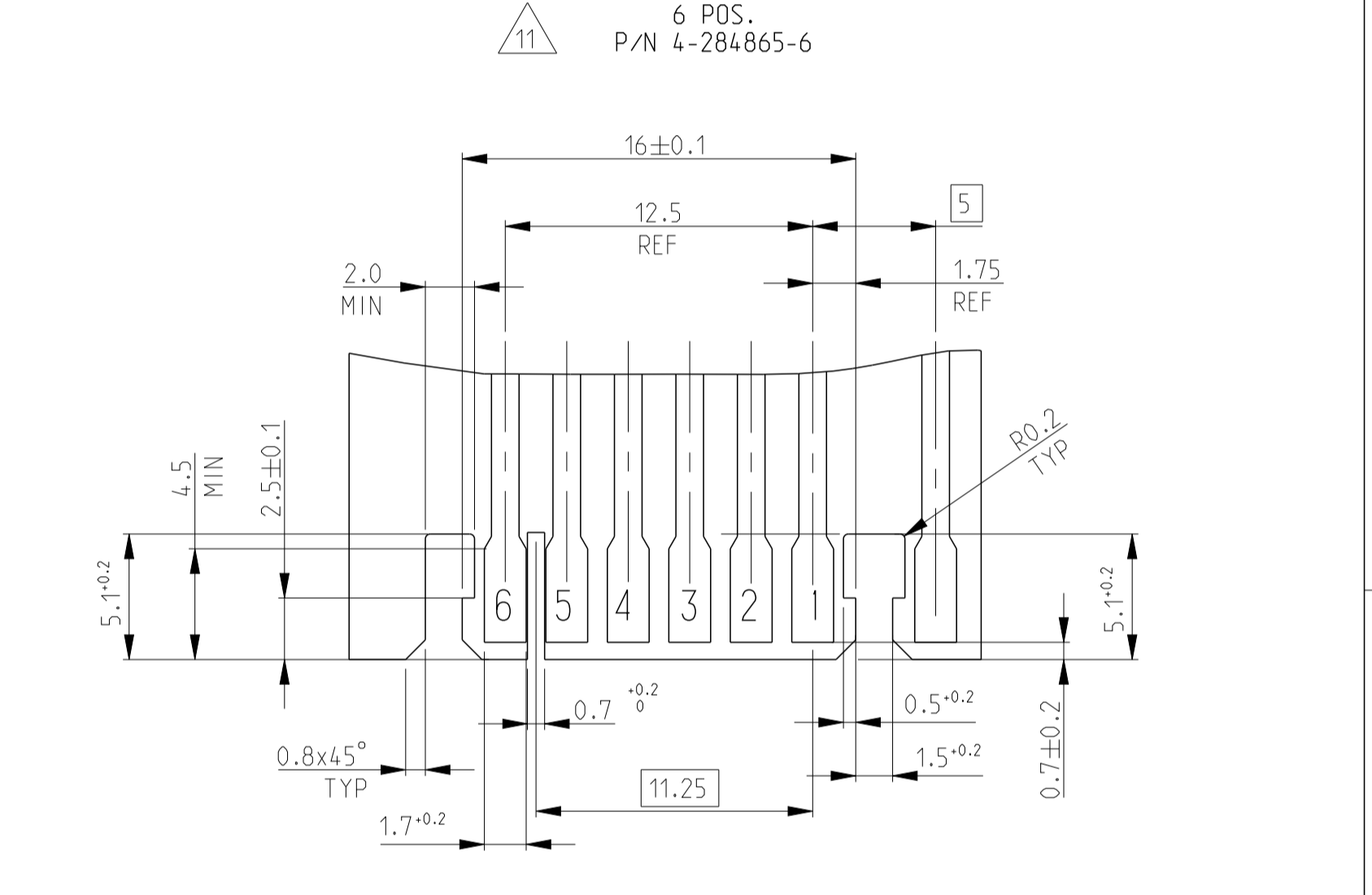
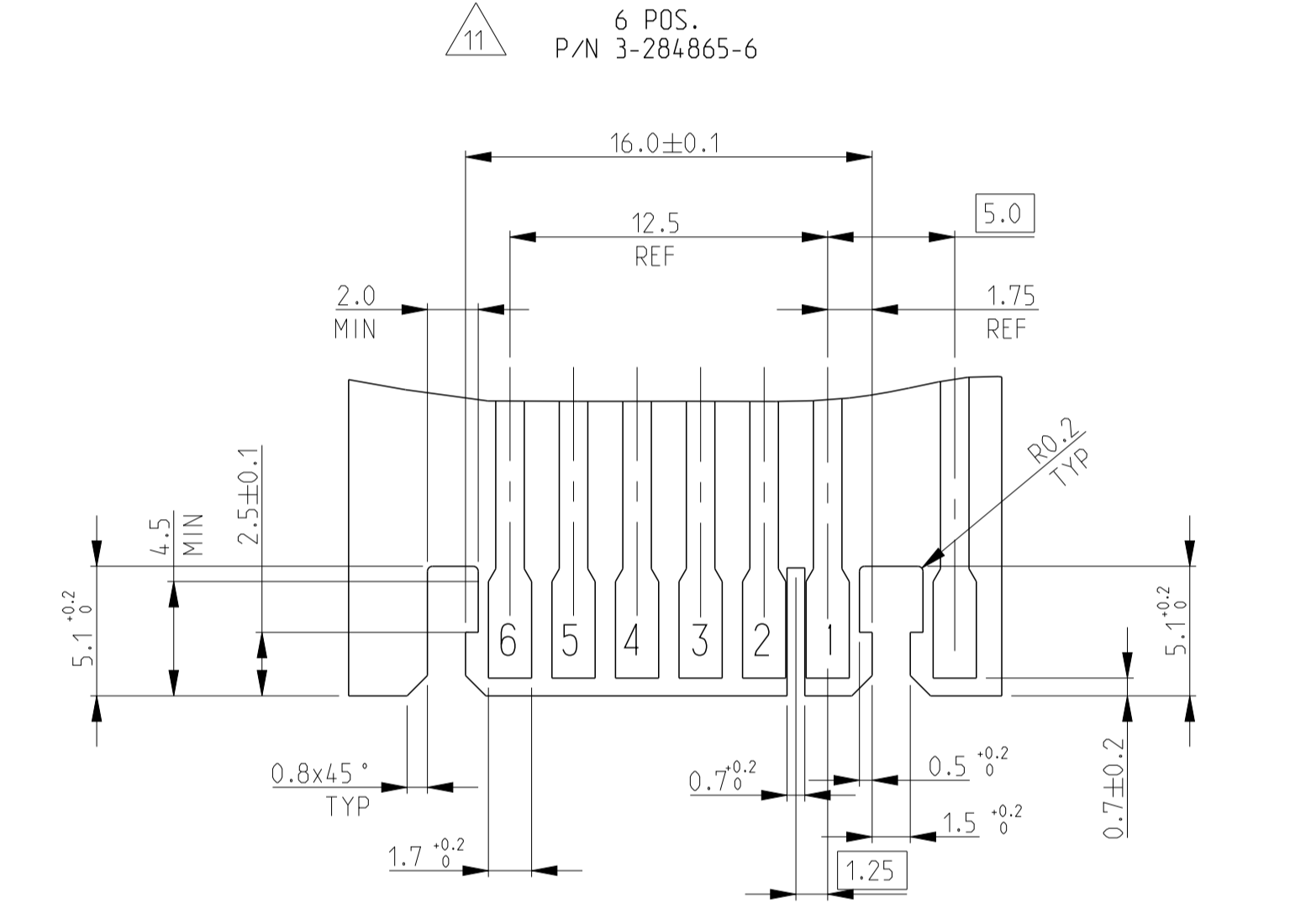
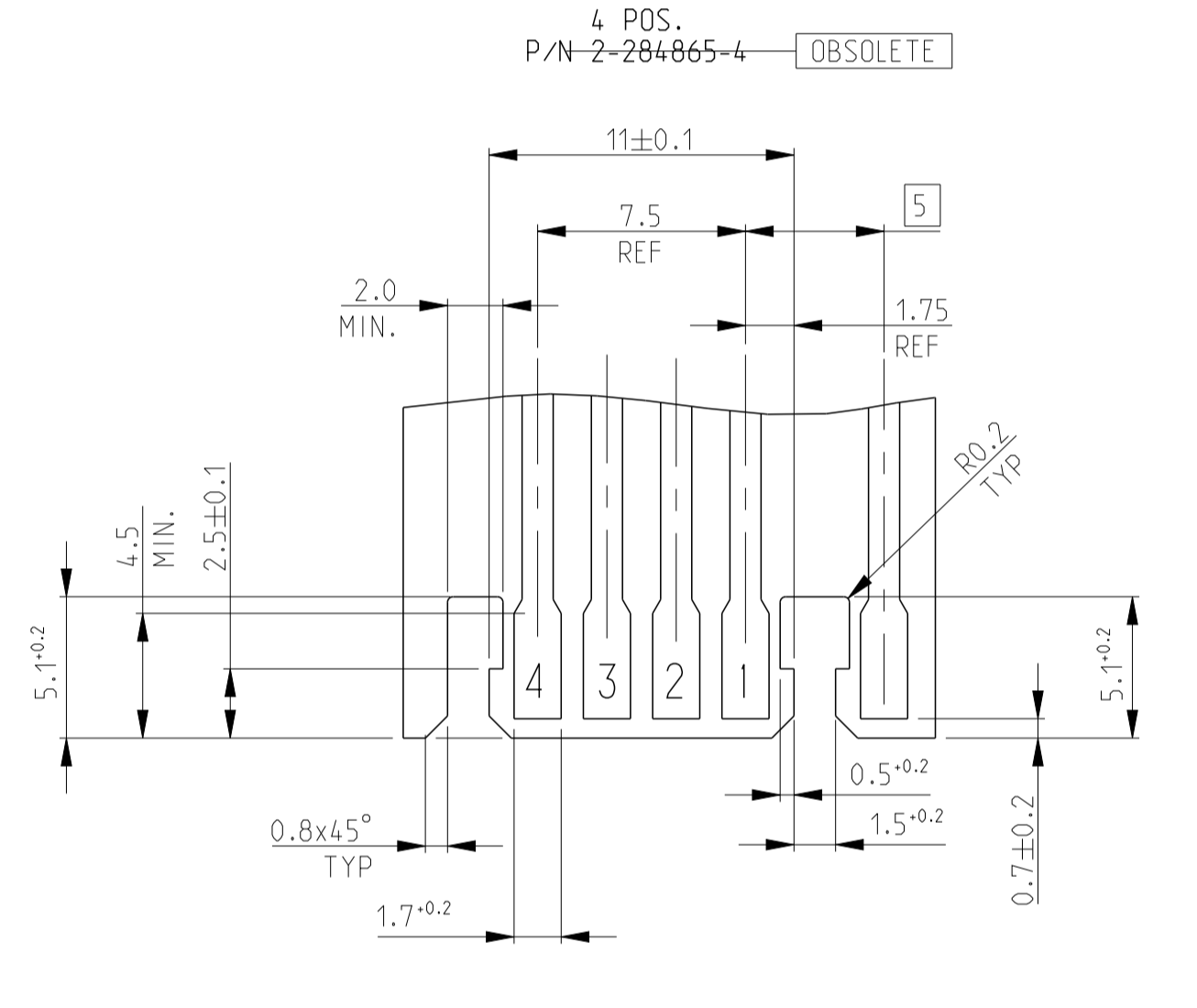
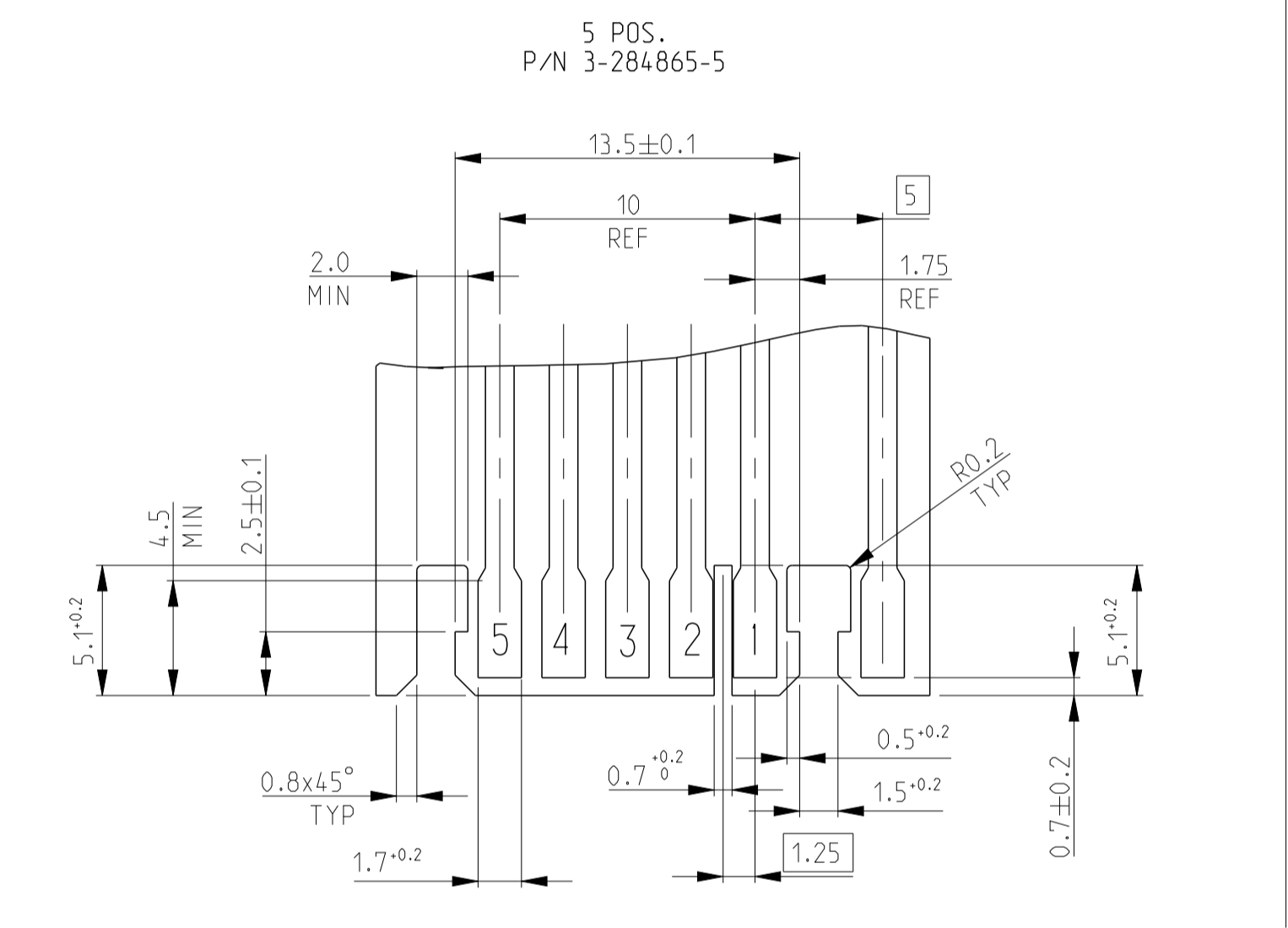
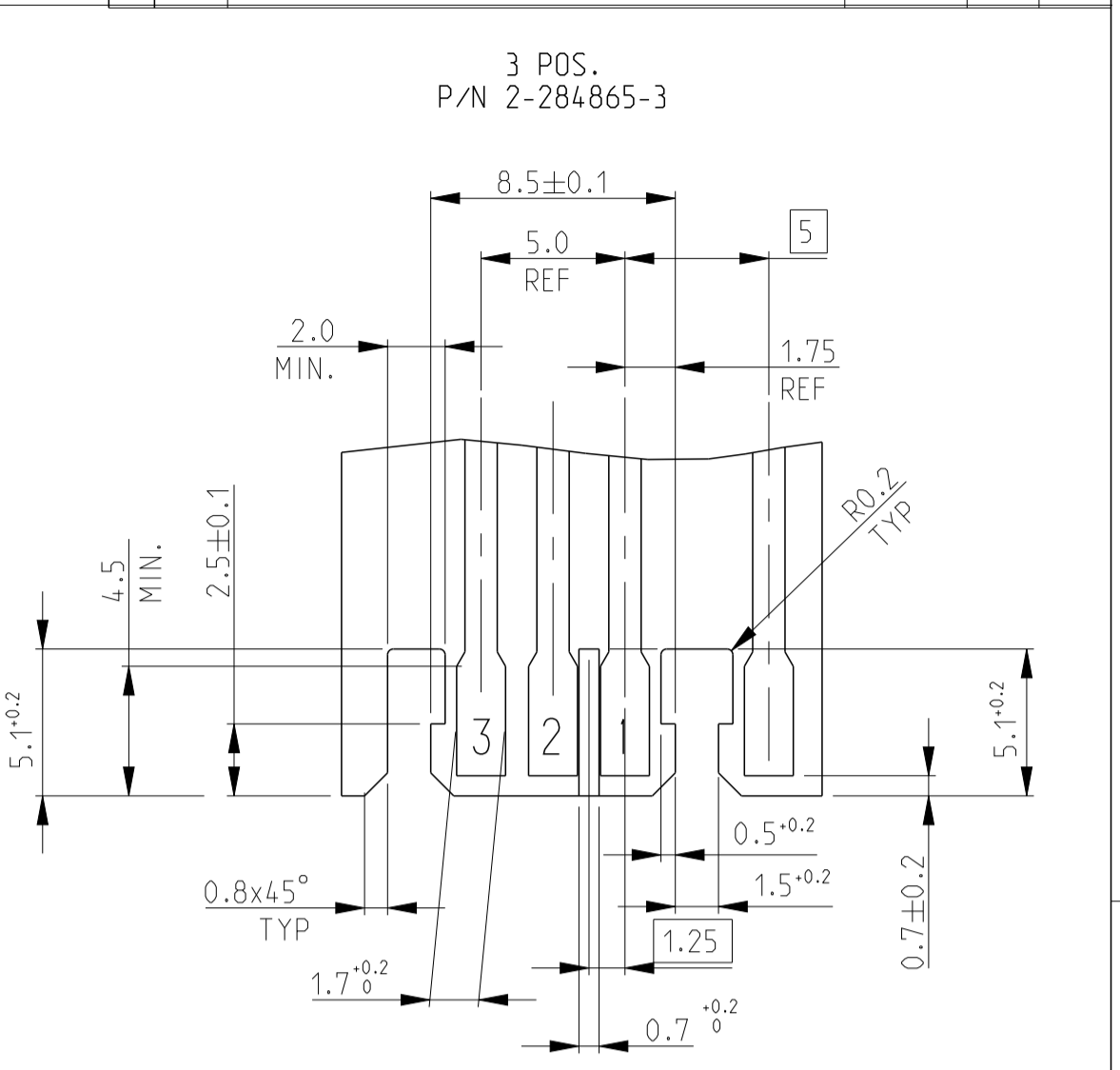
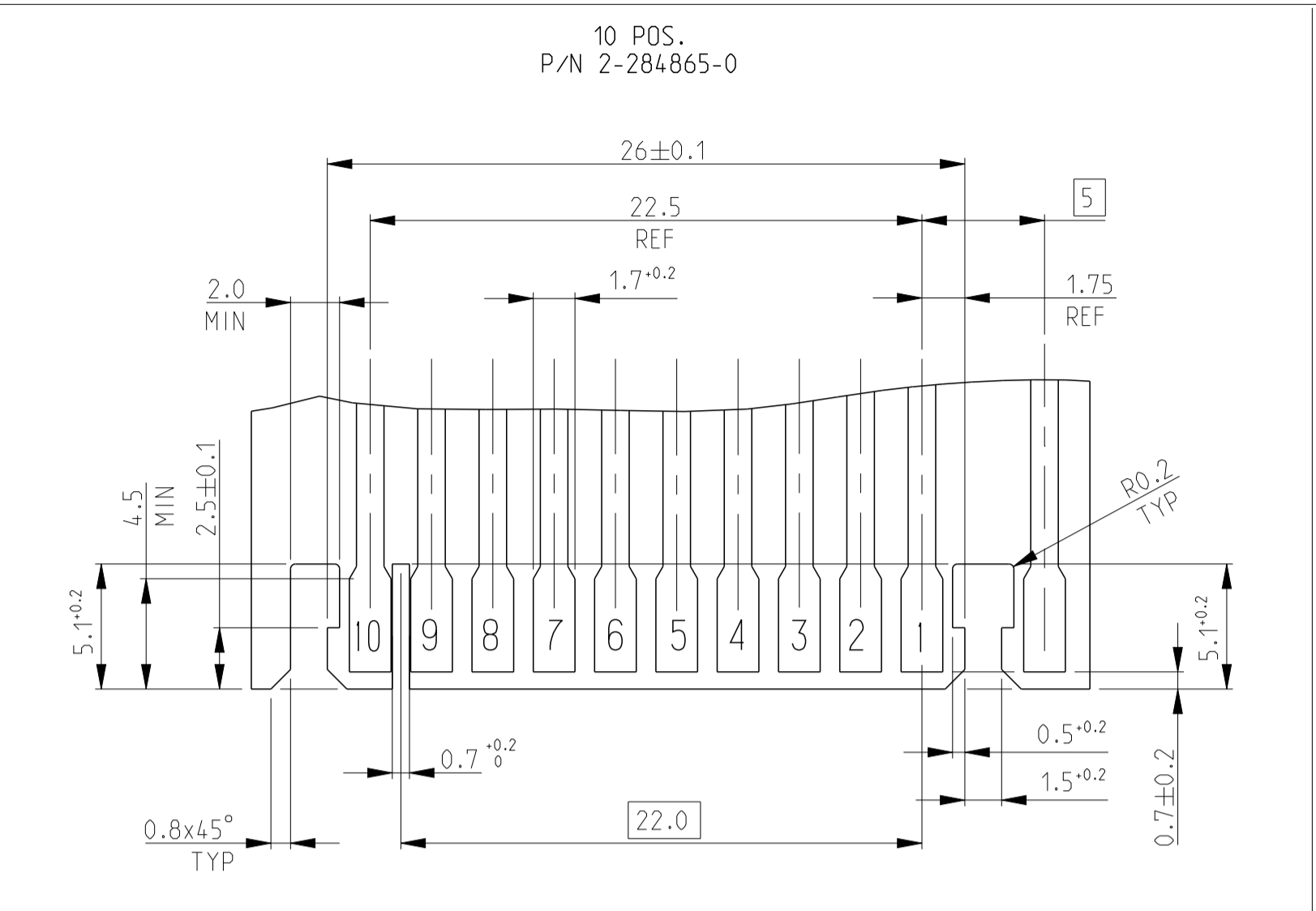
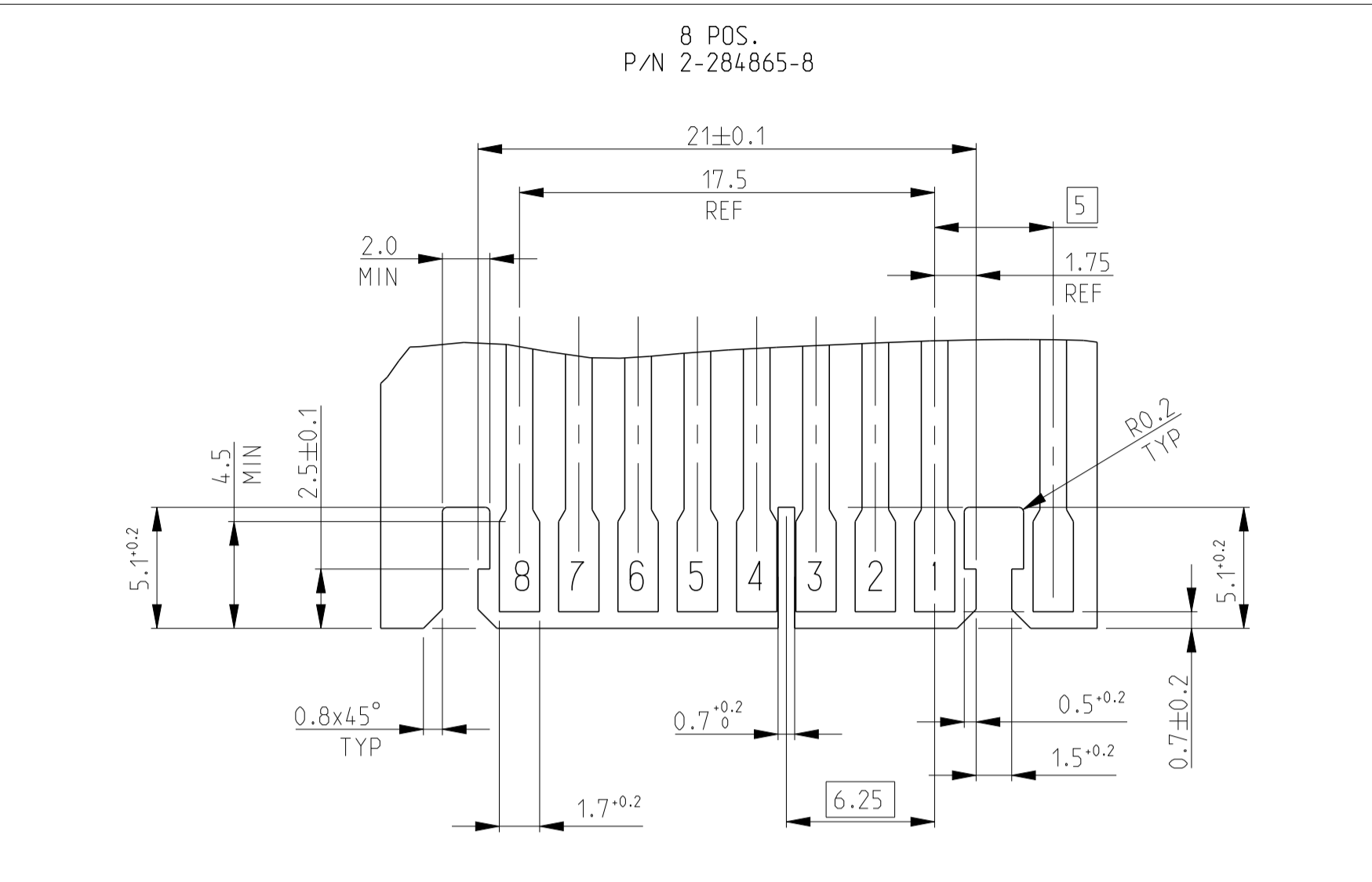
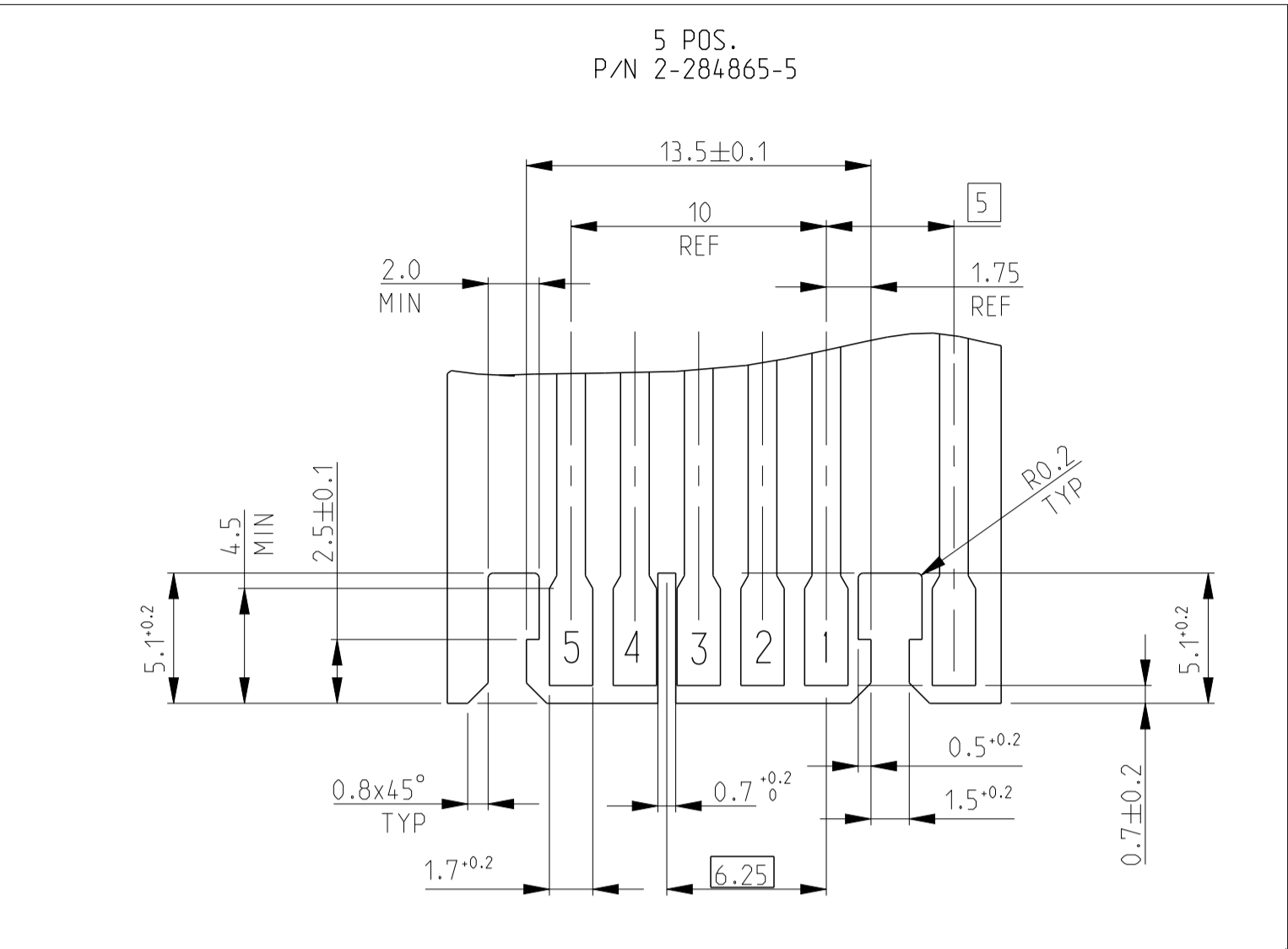
SCALE: 10:1  
 SHEET: 1 of 4  
 REX: A20

STE TE Connectivity

LOC	DIST	REVISONS	DATE	OWN	APVD
		DESCRIPTION			
		SEE SHEET 1			

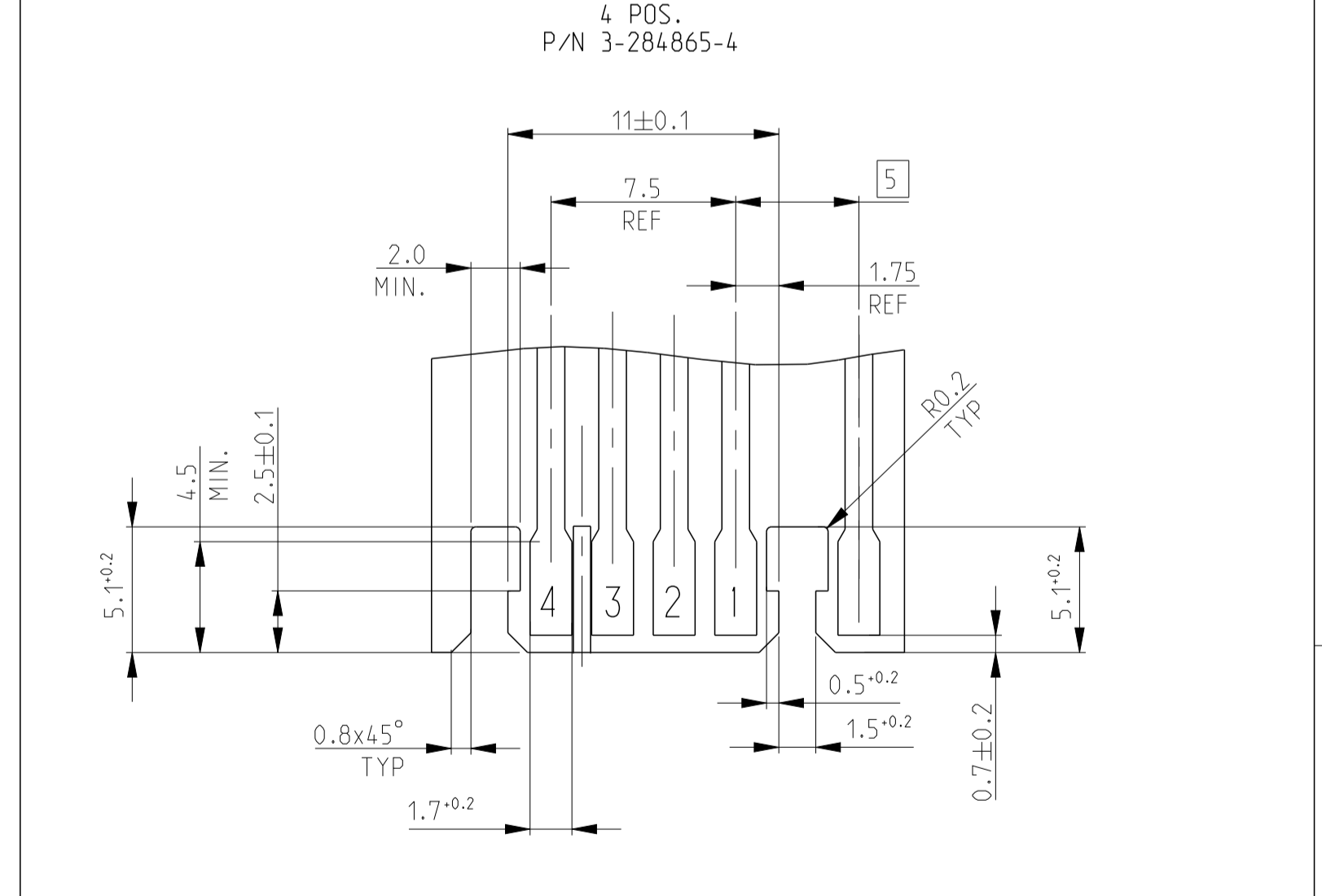
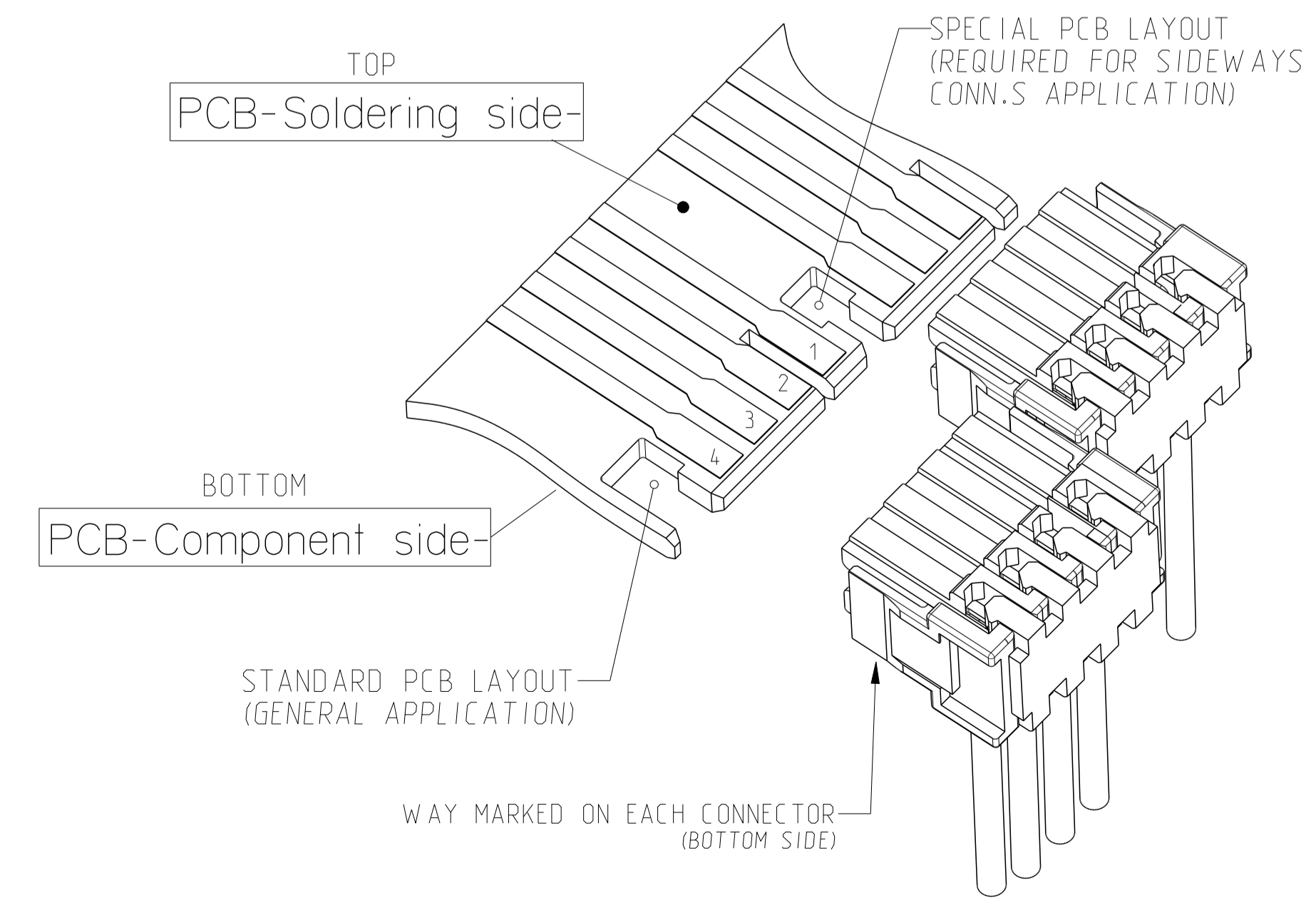
### PCB LAYOUT -Soldering side-

(SCALE 4:1)



### CONNECTION LAYOUT

E.G P/N 0-284865-4  
(SCALE 4:1)



THIS DRAWING IS A CONTROLLED DOCUMENT.		OWN R. FABRIS 03JUL2002	TE Connectivity
DIMENSIONS: mm		CHK -	
TOLERANCES UNLESS OTHERWISE SPECIFIED:		APVD E. TURCO	NAME DUOPLUG 2.5 FEMALE CONN., SIDE LOCKING KEYPED (FULLY LOADED)
0 PLC # # # #		PRODUCT SPEC	108-20238
1 PLC # # # #		APPLICATION SPEC	116-18049-1
2 PLC # # # #		FINISH	116-18049-1
3 PLC # # # #		WEIGHT	A1 00779 ©=284865
4 PLC # # # #		Customer Drawing	SCALE 10:1 SHEET 1 OF 4 REX A20



## X-ON Electronics

Largest Supplier of Electrical and Electronic Components

*Click to view similar products for [Headers & Wire Housings](#) category:*

*Click to view products by [TE Connectivity](#) manufacturer:*

Other Similar products are found below :

[95000-104TRLF](#) [10135584-644402LF](#) [DF62W-EP2022PCA](#) [95000-106TRLF](#) [DF62W-2022SCA](#) [DF62W-EP2022PC](#) [2203348](#) [DF62W-2022SC](#) [1084018](#) [1029039](#) [1084017](#) [802-10-012-10-002000](#) [1112640](#) [1112639](#) [000-34000](#) [0009482033](#) [0009507031](#) [57102-S06-03LF](#) [57202-S52-04LF](#) [PCN6-15S-2.5E](#) [0039019024](#) [58102-G61-06LF](#) [582553-1](#) [0009485154](#) [0009508121](#) [0022285053](#) [0050291907](#) [018731A](#) [LY20-4P-DT1-P1E-BR](#) [02.125.8002.8](#) [60101931](#) [60598-1 \(Cut Strip\)](#) [M1625-3R/100](#) [61062-3](#) [61082-181009](#) [636-1427](#) [638009-1](#) [641938-9](#) [641991-4](#) [644168-1](#) [647662-1](#) [65039-019ELF](#) [65817-002LF](#) [65817-015LF](#) [65863-015LF](#) [66207-023LF](#) [67016-026LF](#) [67046-001LF](#) [67095-007LF](#) [67230-005LF](#)