

LV HRC FUSE LINK GL/GG WITH NON-INSULATED GRIP LUGS WITH FRONT INDICATOR SIZE 000, 32A, AC 500V/DC 250V



Figure similar

Model		
product brand name		SETRON
Product designation		LV HRC fuse link
Design of an identification indicator		Front indicators
Design of the switching contact		Non-corroding, silver-plated
Design of the fuse link		LV HRC fuse link
General technical data		
Size of fuse system / acc. to DIN EN 60269-1		NH000
Operating class of the fuse link		gG
circuit-breaker / Design		3NA3
Mounting type		Non-insulated grip lugs
Supply voltage		
• at AC / rated value	V	500
• at DC	V	250
Protection class		
Protection class IP		IP20, with connected conductors
Switching capacity		
Switching capacity current		

- at DC / acc. to IEC 60947-2 / rated value
- acc. to IEC 60947-2 / rated value

kA	25
kA	120

### Dissipation

<b>Power loss [W]</b>		
<ul style="list-style-type: none"> <li>• for rated value of the current / at AC / in hot operating state / per pole</li> </ul>	W	2.6

### Electricity

rated current I <sub>n</sub> / IEC, DIN/VDE / at 40 Cel	A	30.4
Current / at AC / rated value	A	32

### Mechanical Design

<b>Mounting position</b>		Any, preferably vertical
<b>Net weight</b>	g	130

### Environmental conditions

<b>Ambient temperature</b>		
<ul style="list-style-type: none"> <li>• minimum</li> <li>• maximum</li> <li>• during storage / Note</li> </ul>	°C °C	-5 40 Air humidity 90% at 20 °C
<b>Environmental category</b>		-20 to +50 at 95% relative humidity

### Certificates

<b>Equipment marking</b>		
<ul style="list-style-type: none"> <li>• acc. to DIN EN 61346-2</li> <li>• acc. to DIN EN 81346-2</li> </ul>		F F

<b>General Product Approval</b>	<b>Declaration of Conformity</b>	<b>Test Certificates</b>
---------------------------------	----------------------------------	--------------------------



[Typprüfbescheinigung/Werkszeugnis](#)

<b>Test Certificates</b>	<b>Shipping Approval</b>	<b>other</b>
--------------------------	--------------------------	--------------

[spezielle Prüfbescheinigung](#)

[sonstig](#)



GL

[Umweltbestätigung](#)

[sonstig](#)

### Further information

**Information- and Downloadcenter (Catalogs, Brochures,...)**

<http://www.siemens.com/lowvoltage/catalogs>

**Industry Mall (Online ordering system)**

<https://eb.automation.siemens.com/mall/en/WW/Catalog/Product/3NA3812>

**Service&Support (Manuals, Certificates, Characteristics, FAQs,...)**

<http://support.automation.siemens.com/WW/view/en/3NA3812/all>

**Image database (product images, 2D dimension drawings, 3D models, device circuit diagrams, ...)**

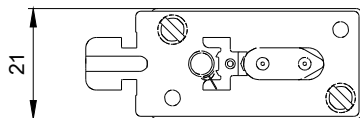
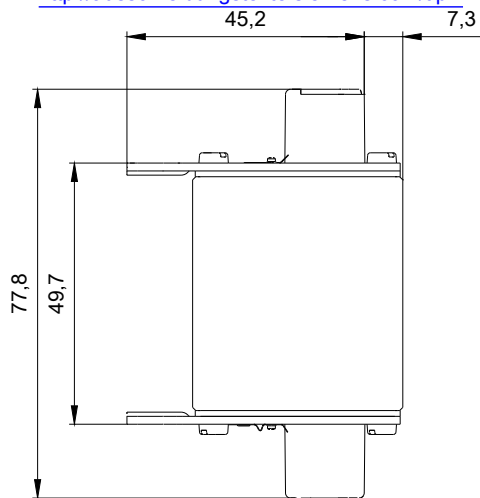
[http://www.automation.siemens.com/bilddb/cax\\_en.aspx?mlfb=3NA3812](http://www.automation.siemens.com/bilddb/cax_en.aspx?mlfb=3NA3812)

**CAX-Online-Generator**

<http://www.siemens.com/cax>

**Tender specifications**

<http://ausschreibungstexte.siemens.com/tiplv>



**last modified:**

22.03.2016