

SITOR FUSE LINKS 35A, AC 690V (DIN 43620, SIZE 00)



Figure similar

| Model  |    |                      |
|--|----|----------------------|
| product brand name   |    | SETRON               |
| Design of an identification indicator  |    | front indicator      |
| Design of the fuse link  |    | SITOR, LV HRC design |
| General technical data   |    |                      |
| Size of fuse system / acc. to DIN EN 60269-1   |    | NH00                 |
| Operating class of the fuse link   |    | gR                   |
| circuit-breaker / Design   |    | 3NE                  |
| Varying load factor (WL)   |    | 0.95                 |
| Supply voltage / at DC   | V  | 440                  |
| Switching capacity   |    |                      |
| Switching capacity current   |    |                      |
| <ul style="list-style-type: none"> <li>acc. to IEC 60947-2 / rated value</li> </ul>  | kA | 100                  |
| Dissipation  |    |                      |
| Power loss [W]   |    |                      |
| <ul style="list-style-type: none"> <li>for rated value of the current / at AC / in hot operating state / per pole</li> </ul> | W  | 9                    |
| <ul style="list-style-type: none"> <li>maximum</li> </ul>  | W  | 9                    |

## Electricity

|   |   |    |
|---|---|----|
| rated current I <sub>n</sub> / IEC, DIN/VDE / at 40 Cel | A | 35 |
| Current / at AC / rated value                           | A | 35 |

## Mechanical Design

|                   |  |                          |
|-------------------|--|--------------------------|
| Mounting position |  | Any, preferably vertical |
|-------------------|--|--------------------------|

## Environmental conditions

|                               |    |                                     |
|-------------------------------|----|-------------------------------------|
| <b>Ambient temperature</b>    |    |                                     |
| • minimum                     | °C | -20                                 |
| • maximum                     | °C | 50                                  |
| <b>Environmental category</b> |    | -20 to +50 at 95% relative humidity |

## Certificates

|                          |  |   |
|--------------------------|--|---|
| <b>Equipment marking</b> |  |   |
| • acc. to DIN EN 61346-2 |  | F |
| • acc. to DIN EN 81346-2 |  | F |

|                                 |                                  |              |
|---------------------------------|----------------------------------|--------------|
| <b>General Product Approval</b> | <b>Declaration of Conformity</b> | <b>other</b> |
|---------------------------------|----------------------------------|--------------|



[sonstig](#)

## Further information

### Information- and Downloadcenter (Catalogs, Brochures,...)

<http://www.siemens.com/lowvoltage/catalogs>

### Industry Mall (Online ordering system)

<https://eb.automation.siemens.com/mall/en/WW/Catalog/Product/3NE80031>

### Service&Support (Manuals, Certificates, Characteristics, FAQs,...)

<http://support.automation.siemens.com/WW/view/en/3NE80031/all>

### Image database (product images, 2D dimension drawings, 3D models, device circuit diagrams, ...)

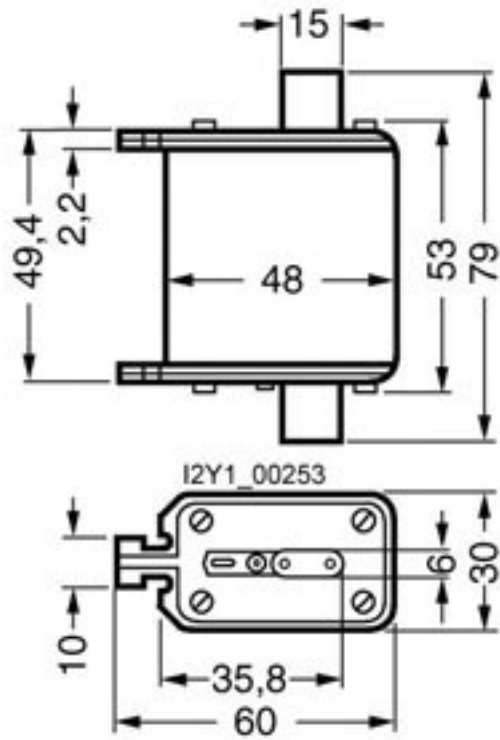
[http://www.automation.siemens.com/bilddb/cax\\_en.aspx?mlfb=3NE80031](http://www.automation.siemens.com/bilddb/cax_en.aspx?mlfb=3NE80031)

### CAX-Online-Generator

<http://www.siemens.com/cax>

### Tender specifications

<http://ausschreibungstexte.siemens.com/tiplv>



last modified:

12.04.2016