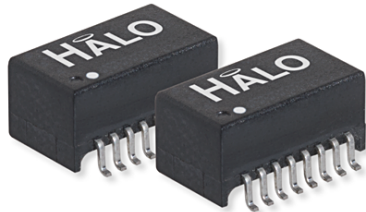


# RP-ULTRA™ PoE/PoE+ Transformers



SMD Single Port 10/100BASE-TX PoE/PoE+ Isolation Modules



## Product Features:

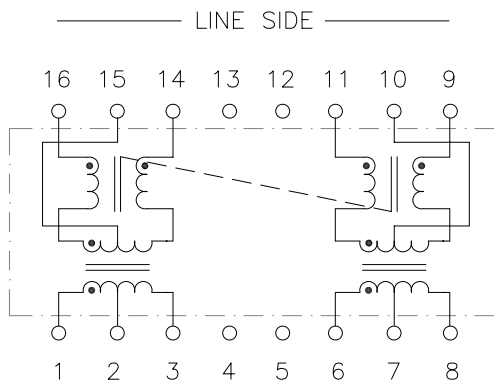
- RP-ULTRA™
- IEEE802.3af/at Compliant
- UL/EN60950 Recognized
- 100% Electrical Testing
- 1500Vrms Hi-Pot
- Patented Open Frame Construction

Part Number	Circuit	PoE	Temp. Range	Return Loss (min)				Insertion Loss (max)	RoHS <sup>1</sup>
				1-30MHz	40MHz	50MHz	60-80MHz		
TG110-RP55N5LF	A	PoE	0 to 70°C	-18dB	-16dB	-13dB	-12dB	-1.1dB	Pb-Free
TG110-RP55N5RL	A	PoE	0 to 70°C	-18dB	-16dB	-13dB	-12dB	-1.1dB	RoHS (7a)
TG110-RPE5N5LF	A	PoE	-40 to +85°C	-18dB	-16dB	-13dB	-12dB	-1.1dB	Pb-Free
TG110-RPE5N5RL	A	PoE	-40 to +85°C	-18dB	-16dB	-13dB	-12dB	-1.1dB	RoHS (7a)
TG110-HPE7N5LF	B	PoE+	-40 to +85°C	-18dB	-14dB	-12dB	-10dB	-1.1dB	Pb-Free

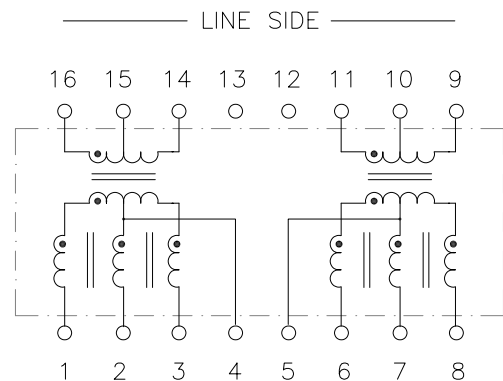
### Notes:

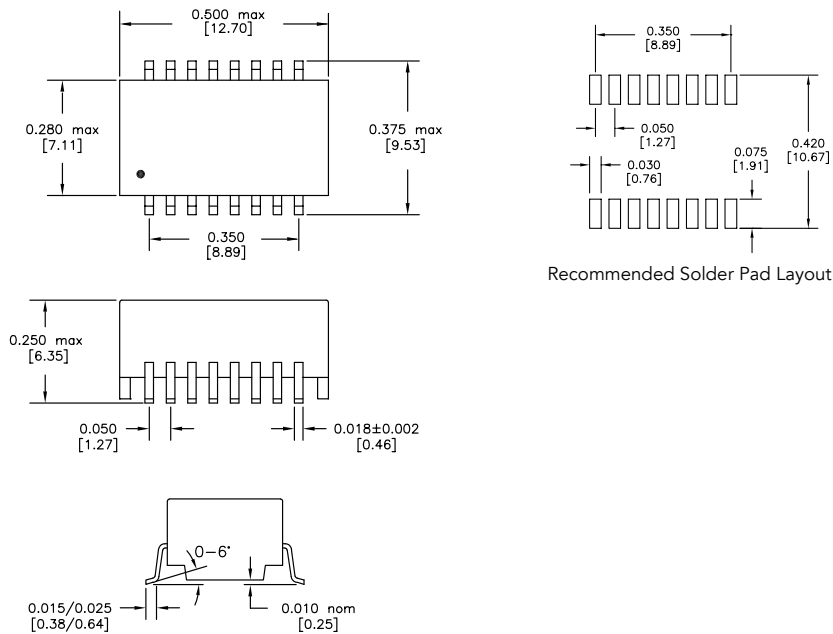
1. Pb-Free parts are RoHS 6/6 compliant. RoHS (7a) parts contain lead per exemption 7a which is set to expire in July 2016.
2. Parts with RL suffix are not recommended for new designs.
3. Contact the factory or your representative for individual datasheets or additional information.

### Circuit A



### Circuit B





Dimensions: inch [mm]  
Co-Planarity: 0.004 [0.10]

US Patent Numbers:  
5,656,985 6,297,721 B1  
6,297,720 B1 6,320,489 B1  
6,344,785 B1 6,662,431 B1



2880 Lakeside Drive #116  
Santa Clara, CA 95054  
(650) 903-3800  
[www.haloelectronics.com](http://www.haloelectronics.com)

HALO® Electronics is a leading supplier of high quality communication magnetics including signal transformers, filters, CMR chokes, PoE power transformers, DC/DC isolation modules, and integrated Ethernet connectors. HALO's high quality and competitively priced leading edge technology solutions are manufactured in ISO9001 and ISO14001 factories.

## X-ON Electronics

Largest Supplier of Electrical and Electronic Components

*Click to view similar products for [Audio Transformers](#) / [Signal Transformers](#) category:*

*Click to view products by [HALO](#) manufacturer:*

Other Similar products are found below :

[749023020](#) [CU4S0506AT-2655-H1](#) [MET-58](#) [PE-64961](#) [H5008FNL](#) [H5020FNLT](#) [H5079NLT](#) [1879479-1](#) [1879564-1](#) [PA1277NLT](#)  
[PA1528ANL](#) [PA2007NLT](#) [FL1066](#) [T1137NLT](#) [T3012NL](#) [PE-65812FNL](#) [TTC-100](#) [TTC-143-H](#) [TTC-5032-1](#) [HX1234NLT](#) [HX5008FNLT](#)  
[100B-1001XNL](#) [PA1282NLT](#) [HX5084FNL](#) [T1108NLT](#) [2-1879391-5](#) [TTC-266-2](#) [3-1879385-4](#) [PA1032NL](#) [H2009FNLT](#) [PA0801NLT](#)  
[TTC-266](#) [X-1619](#) [SM51295PEL](#) [T5008NLT](#) [PE-68517T](#) [HX1294NLT](#) [HX5084FNLT](#) [H5015FNLT](#) [H6080NLT](#) [CX2024NL](#) [HX1294FNLT](#)  
[TX1473NLT](#) [PE-69011NLT](#) [CX2047LNLT](#) [CX2043LNLT](#) [DCT20EFD-U32S003](#) [H5120NLT](#) [H7137FNLT](#) [H1259NLT](#)