

PARATHOM MR16

Low-voltage LED reflector lamps MR16 with retrofit pin base



Areas of application

- Shops
- Hospitality
- Museums, art galleries
- Residential interiors
- As a downlight for marking walkways, doors, stairs, etc.
- Spotlighting for accents
- Display cabinets and shop windows
- Spotlighting heat-sensitive objects such as food, plants, etc.
- Outdoor applications only in suitable luminaires

Product benefits

- Long lifetime of up to 15,000 h
- Low energy consumption
- Easy replacement of halogen lamps due to compact full glass design and single optic
- Instant 100 % light, no warm-up time
- Ideal for economical spotlighting

Product features

- Professional LED alternative to low voltage halogen lamps
- Made in Germany (versions up to 35 W)
- Mercury-free lamps



Product family datasheet

Technical data

Product description	Electrical data		Photometrical data			
	Nominal wattage	Nominal voltage	Luminous intensity	Nominal luminous flux	Rated color temperature	Light color (designation)
PARATHOM MR16 20 36° 2.8 W/827 GU5.3 ¹⁾	2,80 W	12 V	600 cd	230 lm	2700 K	Warm White
PARATHOM MR16 35 36° 4.5 W/827 GU5.3 ¹⁾						
P MR16 20 36° 2.9 W/827 GU5.3 ¹⁾	2,90 W	12.0 V	600 cd	230 lm	2700 K	Warm White
P MR16 20 36° 2.9 W/840 GU5.3 ¹⁾	2,90 W	12.0 V	600 cd	230 lm	4000 K	Cool White
P MR16 35 36° 4.6 W/827 GU5.3 ¹⁾	4,60 W	12.0 V	950 cd	350 lm	2700 K	Warm White
P MR16 35 36° 4.6 W/830 GU5.3 ¹⁾	4,60 W	12.0 V		350 lm	3000 K	Warm White
P MR16 35 36° 4.6 W/840 GU5.3 ¹⁾	4,60 W	12.0 V	950 cd	350 lm	4000 K	Cool White
P MR16 50 36° 7.2 W/827 GU5.3 ¹⁾	7,20 W	12 V	1430 cd	621 lm	2700 K	Warm White
P MR16 50 36° 7.2 W/830 GU5.3 ¹⁾	7,20 W	12 V	1430 cd	621 lm	3000 K	Warm White
P MR16 50 36° 7.2 W/840 GU5.3 ¹⁾	7,20 W	12 V	1430 cd	621 lm	4000 K	Cool White

Product description	Light technical data					Dimensions & weight
	Beam angle	Warm-up time (60 %)	Starting time	Rated beam angle (half peak value)	Nominal beam angle	Overall length
PARATHOM MR16 20 36° 2.8 W/827 GU5.3 ¹⁾	36 °	0,20 s	0,1 s	36,00 °	36 °	51,7 mm
PARATHOM MR16 35 36° 4.5 W/827 GU5.3 ¹⁾						
P MR16 20 36° 2.9 W/827 GU5.3 ¹⁾	36 °	< 0,50 s	< 0,5 s	36,00 °	36 °	46,0 mm
P MR16 20 36° 2.9 W/840 GU5.3 ¹⁾	36 °	< 0,50 s	< 0,5 s	36,00 °	36 °	46,0 mm
P MR16 35 36° 4.6 W/827 GU5.3 ¹⁾	36 °	< 0,50 s	< 0,5 s	36,00 °	36 °	46,0 mm
P MR16 35 36° 4.6 W/830 GU5.3 ¹⁾	36 °	< 0,50 s	< 0,5 s	36,00 °	36 °	46,0 mm
P MR16 35 36° 4.6 W/840 GU5.3 ¹⁾	36 °	< 0,50 s	< 0,5 s	36,00 °	36 °	46,0 mm
P MR16 50 36° 7.2 W/827 GU5.3 ¹⁾	36 °	1,00 s	0,0 s	36,00 °	36 °	53,0 mm
P MR16 50 36° 7.2 W/830 GU5.3 ¹⁾	36 °	< 0,50 s	< 0,5 s	36,00 °	36 °	46,0 mm

Product family datasheet

Product description	Light technical data					Dimensions & weight
	Beam angle	Warm-up time (60 %)	Starting time	Rated beam angle (half peak value)	Nominal beam angle	Overall length
P MR16 50 36° 7.2 W/840 GU5.3 ¹⁾	36 °	1,00 s	0,0 s	36,00 °	36 °	53,0 mm

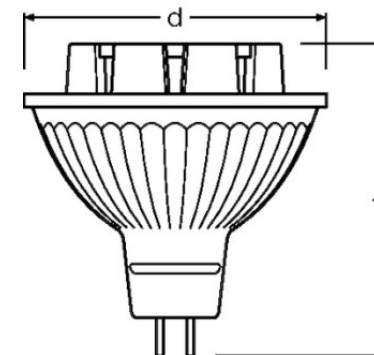
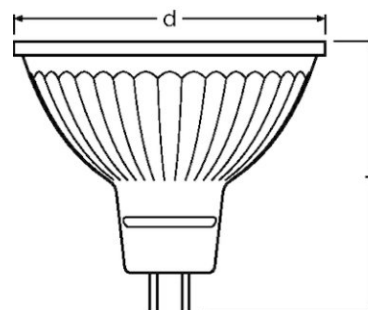
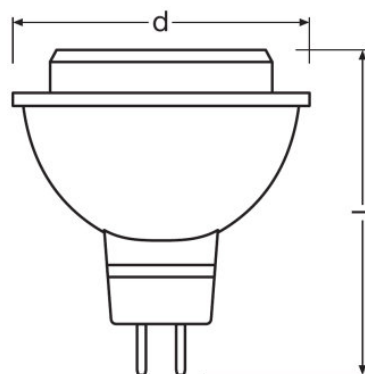
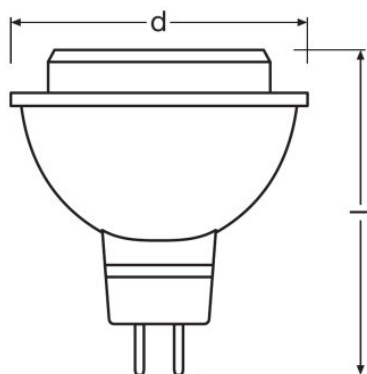
Product description	Lifespan			Additional product data	Capabilities	Certificates & standards
	Nominal lamp life time	Rated lamp life time	Number of switching cycles	Base (standard designation)	Dimmable	Energy consumption
PARATHOM MR16 20 36° 2.8 W/827 GU5.3 ¹⁾	15000 h	15000 h	100000	GU5.3	No	3 kWh/1000h
PARATHOM MR16 35 36° 4.5 W/827 GU5.3 ¹⁾						
P MR16 20 36° 2.9 W/827 GU5.3 ¹⁾	25000 h	25000 h	100000	GU5.3	No	3 kWh/1000h
P MR16 20 36° 2.9 W/840 GU5.3 ¹⁾	25000 h	25000 h	100000	GU5.3	No	3 kWh/1000h
P MR16 35 36° 4.6 W/827 GU5.3 ¹⁾	25000 h	25000 h	100000	GU5.3	No	5 kWh/1000h
P MR16 35 36° 4.6 W/830 GU5.3 ¹⁾	25000 h	25000 h	100000	GU5.3	No	5 kWh/1000h
P MR16 35 36° 4.6 W/840 GU5.3 ¹⁾	25000 h	25000 h	100000	GU5.3	No	5 kWh/1000h
P MR16 50 36° 7.2 W/827 GU5.3 ¹⁾	15000 h	15000 h	100000	GU5.3	No	8 kWh/1000h
P MR16 50 36° 7.2 W/830 GU5.3 ¹⁾	25000 h	25000 h	100000	GU5.3	No	8 kWh/1000h
P MR16 50 36° 7.2 W/840 GU5.3 ¹⁾	15000 h	15000 h	100000	GU5.3	No	8 kWh/1000h

Product description	Energy efficiency class	Country specific categorizations	
		ILCOS	Order reference
PARATHOM MR16 20 36° 2.8 W/827 GU5.3 ¹⁾	A++	DRR-2,8/827-12-GU5.3-50/36	PMR162036 2,8W/
PARATHOM MR16 35 36° 4.5 W/827 GU5.3 ¹⁾			
P MR16 20 36° 2.9 W/827 GU5.3 ¹⁾	A+	DRR-2,9/827-12-GU5,3-50/36	LEDPMR162036 2,
P MR16 20 36° 2.9 W/840 GU5.3 ¹⁾	A+	DRR-2,9/840-12-GU5,3-50/36	LEDPMR162036 2,

Product family datasheet

Product description	Energy efficiency class	Country specific categorizations	
		ILCOS	Order reference
P MR16 35 36° 4.6 W/827 GU5.3 ¹⁾	A+	DRR-4,6/827-12-GU5,3-50/36	LEDPMR163536 4,
P MR16 35 36° 4.6 W/830 GU5.3 ¹⁾	A+		LEDPMR163536 4,
P MR16 35 36° 4.6 W/840 GU5.3 ¹⁾	A+	DRR-4,6/840-12-GU5,3-50/36	LEDPMR163536 4,
P MR16 50 36° 7.2 W/827 GU5.3 ¹⁾	A+	DRR-7,2/827-12-GU5,3-50/36	LPMR165036 7,2W
P MR16 50 36° 7.2 W/830 GU5.3 ¹⁾	A+	DRR-7,2/830-12-GU5,3-50/36	LPMR165036 7,2W
P MR16 50 36° 7.2 W/840 GU5.3 ¹⁾	A+	DRR-7,2/840-12-GU5,3-50/36	LPMR165036 7,2W

¹⁾ All technical parameters apply to the entire lamp/Due to the complex production process for light-emitting diodes, the typical values shown for the technical LED parameters are purely statistical values that do not necessarily match the actual technical parameters of each individual product, which can vary from the typical value



Product family datasheet

PARATHOM MR16 20 36° 2.8 W/827
GU5.3

PARATHOM MR16 35 36° 4.5 W/827
GU5.3

P MR16 20 36° 2.9 W/827 GU5.3, P
MR16 20 36° 2.9 W/840 GU5.3, P
MR16 35 36° 4.6 W/827 GU5.3, P
MR16 35 36° 4.6 W/830 GU5.3, P
MR16 35 36° 4.6 W/840 GU5.3

P MR16 50 36° 7.2 W/827 GU5.3, P
MR16 50 36° 7.2 W/830 GU5.3, P
MR16 50 36° 7.2 W/840 GU5.3

Equipment / Accessories

– Equipped with high-power LEDs

Application advice

For more detailed application information and graphics please see product datasheet.

Logistical Data

Product code	Product description	Packaging unit (Pieces/Unit)	Dimensions (length x width x height)	Volume	Gross weight
4052899943582	PARATHOM MR16 20 36° 2.8 W/827 GU5.3	Shipping carton box 10	267 mm x 111 mm x 69 mm	2.04 dm ³	375.00 g
4052899943629	PARATHOM MR16 35 36° 4.5 W/827 GU5.3	Shipping carton box 10	267 mm x 111 mm x 69 mm	2.04 dm ³	605.00 g
4052899957749	P MR16 20 36° 2.9 W/827 GU5.3	Shipping carton box 10	257 mm x 110 mm x 70 mm	1.98 dm ³	498.40 g
4052899957732	P MR16 20 36° 2.9 W/840 GU5.3	Shipping carton box 10	257 mm x 110 mm x 70 mm	1.98 dm ³	498.40 g
4052899957770	P MR16 35 36° 4.6 W/827 GU5.3	Shipping carton box 10	257 mm x 110 mm x 70 mm	1.98 dm ³	498.40 g

Product family datasheet

Product code	Product description	Packaging unit (Pieces/Unit)	Dimensions (length x width x height)	Volume	Gross weight
4058075815513	P MR16 35 36° 4.6 W/830 GU5.3	Shipping carton box 10	257 mm x 110 mm x 70 mm	1.98 dm ³	498.40 g
4052899957787	P MR16 35 36° 4.6 W/840 GU5.3	Shipping carton box 10	257 mm x 110 mm x 70 mm	1.98 dm ³	498.40 g
4052899957817	P MR16 50 36° 7.2 W/827 GU5.3	Shipping carton box 10	255 mm x 107 mm x 72 mm	1.96 dm ³	768.00 g
4058075815575	P MR16 50 36° 7.2 W/830 GU5.3	Shipping carton box 10	255 mm x 107 mm x 72 mm	1.96 dm ³	501.40 g
4052899957824	P MR16 50 36° 7.2 W/840 GU5.3	Shipping carton box 10	255 mm x 107 mm x 72 mm	1.96 dm ³	768.00 g

The mentioned product code describes the smallest quantity unit which can be ordered. One shipping unit can contain one or more single products. When placing an order, for the quantity please enter single or multiples of a shipping unit.

References / Links

For further products and actual information concerning LED lamps see

▶ www.osram.com/ledlamps

For Guarantee see

▶ www.osram.com/guarantee

Further information see

▶ www.osram.com/low-voltage-ledlamps

Disclaimer

Product family datasheet

Subject to change without notice. Errors and omission excepted. Always make sure to use the most recent release.