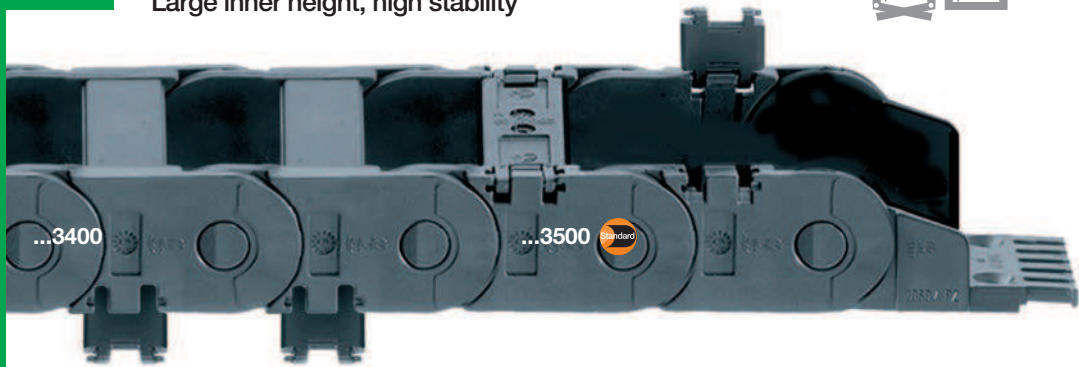


3400
3500


E2/000 | e-chains® 3400-3500 | Delivery program

Large inner height, high stability



e-chains® | Series 3400 snap-open along inner radius

e-chains® | Series 3500 snap-open along outer radius

e-chains® snap-open along inner radius	e-chains® snap-open along outer radius	 Bi [mm]	Ba [mm]	R Bending radii [mm]	3400 [kg/m]	3500 [kg/m]
3400.050.R.0	3500.050.R.0	50	70	075 100 125 150 200 250 300	≈ 1,60	≈ 1,60
3400.075.R.0	3500.075.R.0	75	95	075 100 125 150 200 250 300	≈ 1,78	≈ 1,78
3400.100.R.0	3500.100.R.0	100	120	075 100 125 150 200 250 300	≈ 1,93	≈ 1,93
3400.115.R.0	3500.115.R.0	115	135	075 100 125 150 200 250 300	≈ 1,99	≈ 1,99
3400.125.R.0	3500.125.R.0	125	145	075 100 125 150 200 250 300	≈ 2,03	≈ 2,03
3400.150.R.0	3500.150.R.0	150	170	075 100 125 150 200 250 300	≈ 2,17	≈ 2,17
3400.175.R.0	3500.175.R.0	175	195	075 100 125 150 200 250 300	≈ 2,28	≈ 2,28
3400.200.R.0	3500.200.R.0	200	220	075 100 125 150 200 250 300	≈ 2,45	≈ 2,45
3400.225.R.0	3500.225.R.0	225	245	075 100 125 150 200 250 300	≈ 2,59	≈ 2,59
3400.250.R.0	3500.250.R.0	250	270	075 100 125 150 200 250 300	≈ 2,73	≈ 2,73

Half e-tubes, Series 3450 and full e-tubes Series 3480 ► from page 316

Supplement Part No. with required radius (R). Example: 3500.075.200.0

Open e-chains® in a flash with the igus® e-chain® opener

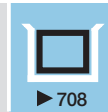
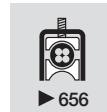
Reduce assembly time from 33 to 2 sec. with the igus® e-chain® Opener. Open a long piece of e-chain® in one go. Part No. 908.254.3400 for Series 3400/3500. For widths *Bi* [mm]: 050, 075, 100, 115.

More information and video ► www.igus.eu/savetime



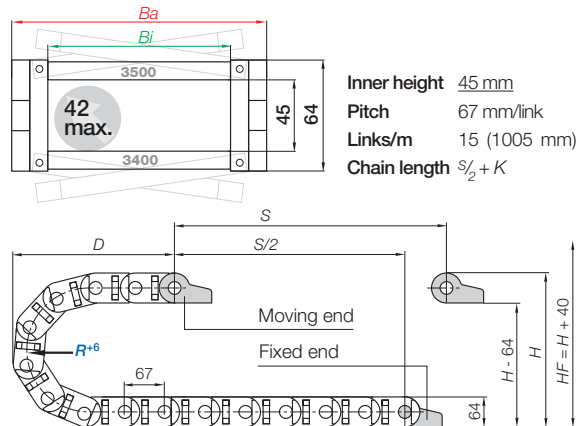
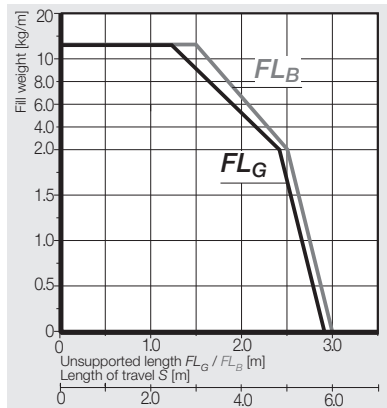
310 3D-CAD files, configurators, PDF ► www.igus.eu/3400 ► www.igus.eu/3500

E2/000 | e-chains® 3400-3500 | Dimensions



3400
3500

Unsupported applications | Short travels



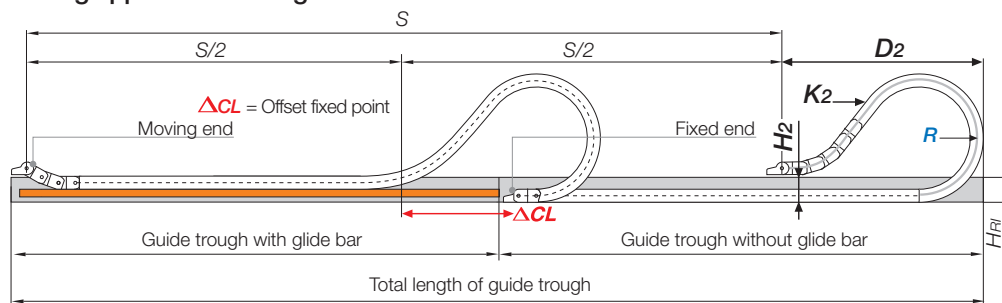
Inner height 45 mm
Pitch 67 mm/link
Links/m 15 (1005 mm)
Chain length $\frac{S}{2} + K$

R	075	100	125	150	200	250	300
H	214	264	314	364	464	564	664
D	208	233	258	283	333	383	433
K	370	450	530	610	765	920	1080

The required clearance height: $H_F = H + 40$ mm (with 2,5 kg/m fill weight)

Before using Series 3400 on long travels please consult igus®.

Gliding applications | Long travels from 10 m to max. 150 m



Note: For using Series 3400 for long travels (gliding), please consult igus® first.

For long travels, igus® specifies **Series 3500** that snaps open along the outer radius.

In case of travels between 6 and 10 m we recommend a longer unsupported length. Chain length $\frac{S}{2} + K_2$

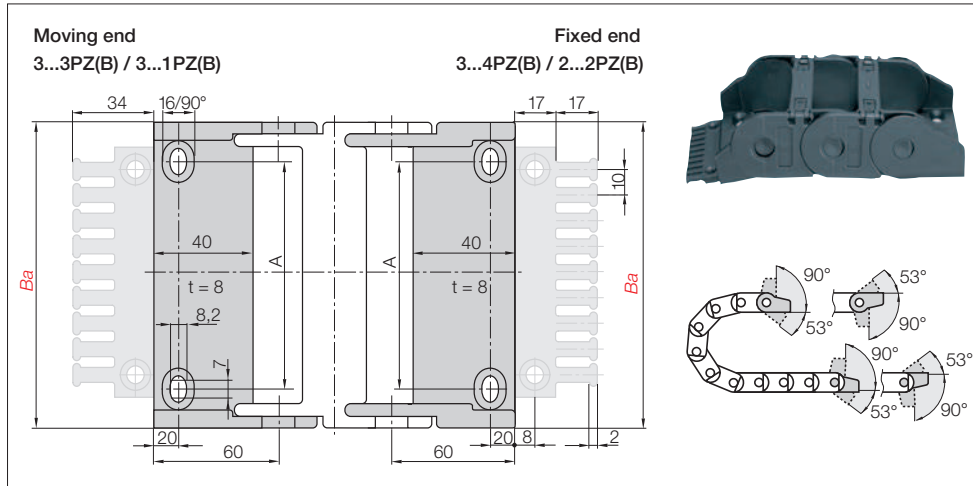
R	075	100	125	150	200	250	300
H_2	150	200	186	186	186	186	186
D_2^{+25}	208	233	475	570	780	1010	1150
K_2	370	450	804	1005	1340	1675	1943
ΔCL	-	-	233	303	463	643	733

Before using Series 3400 on long travels please consult igus®.

3400
3500

E2/000 | e-chains® 3400-3500 | Accessories

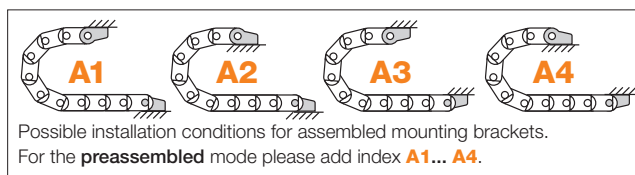
Mounting brackets, polymer | pivoting | locking



Polymer pivoting | Recommended for unsupported and gliding applications | **Standard Polymer locking** | Recommended for vertical hanging and standing applications

Width Index	Standard	Part No. full set pivoting :		Part No. full set locking :		Dim. A [mm]	Number of teeth
		with tiewrap plates	without tiewrap plates	with tiewrap plates	without tiewrap plates		
.050.	▶	3050.34PZB	3050.34PZ	3050.12PZB	3050.12PZ	28	5
.075.	▶	3075.34PZB	3075.34PZ	3075.12PZB	3075.12PZ	53	7
.100.	▶	3100.34PZB	3100.34PZ	3100.12PZB	3100.12PZ	78	10
.115.	▶	3115.34PZB	3115.34PZ	3115.12PZB	3115.12PZ	93	11
.125.	▶	3125.34PZB	3125.34PZ	3125.12PZB	3125.12PZ	103	12
.150.	▶	3150.34PZB	3150.34PZ	3150.12PZB	3150.12PZ	128	15
.175.	▶	3175.34PZB	3175.34PZ	3175.12PZB	3175.12PZ	153	17
.200.	▶	3200.34PZB	3200.34PZ	3200.12PZB	3200.12PZ	178	20
.225.	▶	3225.34PZB	3225.34PZ	3225.12PZB	3225.12PZ	203	22
.250.	▶	3250.34PZB	3250.34PZ	3250.12PZB	3250.12PZ	228	25

Full set with tiewrap plate + 10 cable tiewraps, please add index **K1** ▶ e.g. 3250.34PZB**K1**



Part No. structure

3075.34 PZB **A1**

A... must be indicated on preassembled configurations
With strain relief tiewrap plates
Full set pivoting = 34
Mounting bracket for selected width index



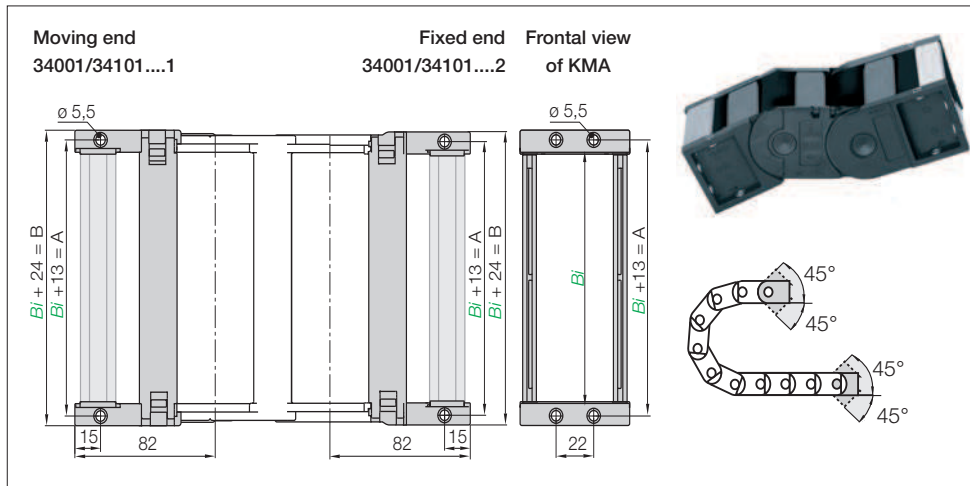
Strain relief e.g. clamps, tiewrap plates, nuggets and plug-in clips are available from stock. The complete chainfix range with order options ▶ from page 656

312 3D-CAD files, configurators, PDF ▶ www.igus.eu/3400 ▶ www.igus.eu/3500

E2/000 | e-chains® 3400-3500 | Accessories

KMA mounting brackets | Attachment on all sides | pivoting | locking

3400
3500



KMA pivoting | Recommended for unsupported and gliding applications

KMA locking | Recommended for vertical hanging and standing applications

Width Index	Part No. full set with C-profile	Part No. full set KMA pivoting: without C-profile	Part No. full set with C-profile	Part No. full set KMA locking: without C-profile	Dim. A [mm]	Dim. B [mm]
.050.	34001.050.12.C	34001.050.12	34101.050.12.C	34101.050.12	63	74
.075.	34001.075.12.C	34001.075.12	34101.075.12.C	34101.075.12	88	99
.100.	34001.100.12.C	34001.100.12	34101.100.12.C	34101.100.12	113	124
.115.	34001.115.12.C	34001.115.12	34101.115.12.C	34101.115.12	128	139
.125.	34001.125.12.C	34001.125.12	34101.125.12.C	34101.125.12	138	149
.150.	34001.150.12.C	34001.150.12	34101.150.12.C	34101.150.12	163	174
.175.	34001.175.12.C	34001.175.12	34101.175.12.C	34101.175.12	188	199
.200.	34001.200.12.C	34001.200.12	34101.200.12.C	34101.200.12	213	224
.225.	34001.225.12.C	34001.225.12	34101.225.12.C	34101.225.12	238	249
.250.	34001.250.12.C	34001.250.12	34101.250.12.C	34101.250.12	263	274

KMA pivoting to one side: **Moving end 34001...3 / Fixed end 34001...4**

(KMA = Polymer Metal Mounting Bracket)

Part No. structure

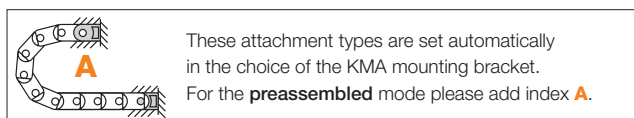
34001.075.12.C A

A...must be indicated on preassembled configurations

Full set with integrated C-profile

Width index

KMA pivoting



Option: **Steel pivoting** Part No. 3000.12 - For e-chains® and e-tubes available

● Pivoting connections ● One part (2-piece) for all e-chain® widths ● Electrically conductive



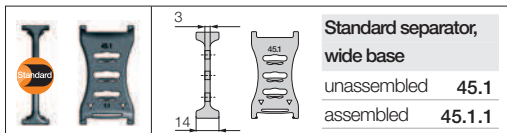
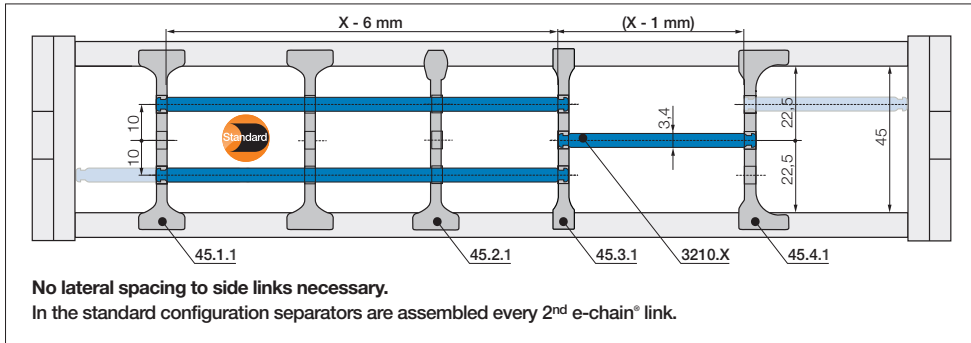
Strain relief e.g. clamps, tie-wrap plates, nuggets and plug-in clips are available from stock. The complete chainfix range with order options ▶ from page 656

3400
3500

E2/000 | e-chains® 3400-3500 | Accessories

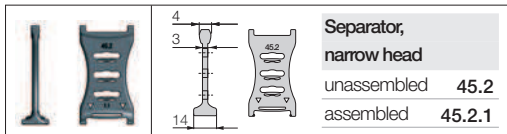
Interior separation | New generation

Previous interior separation with optional elements ► www.igus.eu/3400 ► www.igus.eu/3500



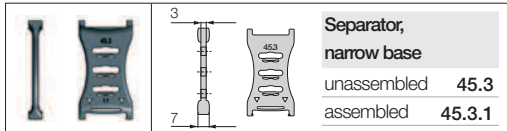
Standard - for all applications

Separator with a wide base for maximum locking strength and safe standing in e-chains®.



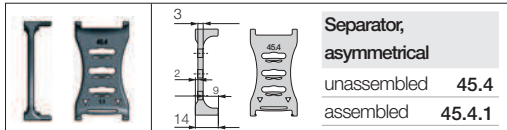
For even faster installation

Firm hold to one side with a wide base, narrow on opposed side for easy cable assembly (slight grip).



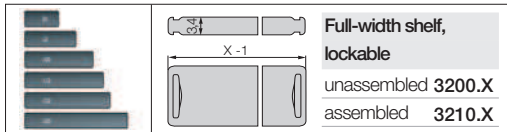
For many thin cables

Separator with a narrow base for a large number of thin cables side by side. Saves space in e-chains®.



For side-mounted applications

Asymmetrical separator, for defined distance.
No additional spacers necessary.



Horizontal separation

Full-width shelf locks safely into separators on both ends, fixed width possible. To be used as full-width shelf for a consequent subdivision or as shelf for a pattern system in 3 levels.



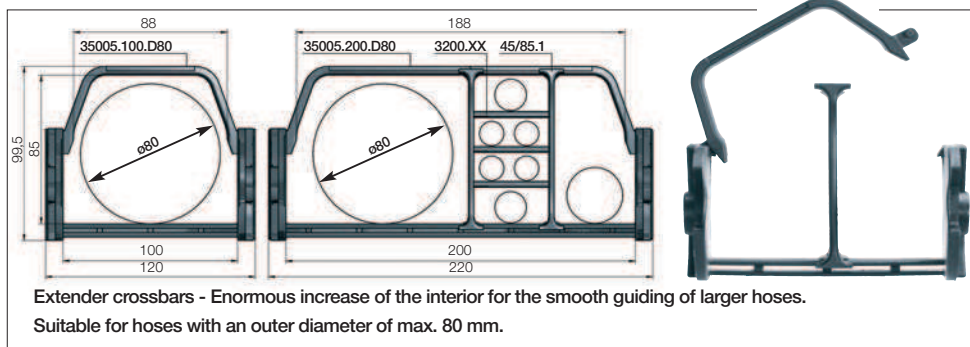
Lockable full-width shelves - for the standard interior separation

Width X [mm]	unassembled	assembled	Width X [mm]	unassembled	assembled	Width X [mm]	unassembled	assembled
050	3200.050	3210.050	125	3200.125	3210.125	225	3200.225	3210.225
075	3200.075	3210.075	150	3200.150	3210.150	250	3200.250	3210.250
100	3200.100	3210.100	175	3200.175	3210.175			
115	3200.115	3210.115	200	3200.200	3210.200			

e-chains® 3400-3500 | Further Accessories

Extender crossbars

3400
3500



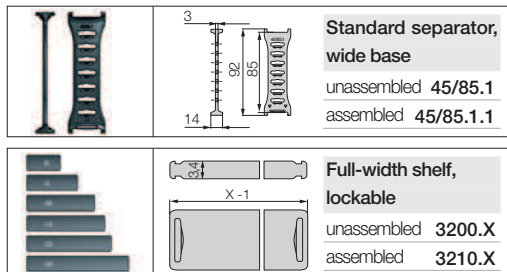
Extender crossbars - Enormous increase of the interior for the smooth guiding of larger hoses.
Suitable for hoses with an outer diameter of max. 80 mm.

Extender crossbars for e-chains® snap-open along inner radius	Extender crossbars for e-chains® snap-open along outer radius	Bi [mm]	Ba [mm]	R Bending radii [mm]
3400.100D80.R.0	3500.100D80.R.0	100	120	075* 100* 125 150 200 250 300
3400.200D80.R.0	3500.200D80.R.0	200	220	075* 100* 125 150 200 250 300

*Radius 075 and 100 only possible with e-chains® Series 3500

Supplement Part No. with required radius (R). Example: 3500.100D80.200.0

Interior separation for extender crossbars



Standard separator, wide base

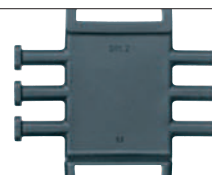
For maximum locking strength and safe standing. In standard configuration separators are assembled every 2nd link.

Horizontal separation

Full-width shelf locks safely into separators on both ends, fixed width possible. Separators can be moved freely over the shelf in horizontal direction. Can be arranged at 7 different heights.

Separator with integrated strain relief

Strain relief separator Part No. 301.Z can be integrated into the mounting bracket and can be placed there at any point of the e-chain®. It combines strain relief and interior separation, it can be installed on the first or last e-chain® link and is easy to assemble without any screws. **More information ► from page 676**



Optional: Support tray tool kit.

For support of the lower run.

Simple one-piece support trays according to your requirements and specification. **The complete range with order options ► from page 740**



3450
3480

E2/000 | e-tubes 3450·3480 | Delivery program

Chip protection



Half e-tubes | Series 3450 snap-open along inner radius, closed along outer radius

Full e-tubes | Series 3480 snap-open along inner radius, fully enclosed

Half e-tubes snap-open along inner radius	Full e-tubes snap-open along inner radius	<i>Bi</i> [mm]	<i>Ba</i> [mm]	<i>R</i> Bending radii [mm]	3450 [kg/m]	3480 [kg/m]
3450.050. <i>R</i> .0	3480.050. <i>R</i> .0	50	70	075* 100* 125 150 200 250 300	≈ 1,77	≈ 1,96
3450.075. <i>R</i> .0	3480.075. <i>R</i> .0	75	95	075* 100* 125 150 200 250 300	≈ 1,95	≈ 2,07
3450.100. <i>R</i> .0	3480.100. <i>R</i> .0	100	120	075* 100* 125 150 200 250 300	≈ 2,15	≈ 2,30
3450.115. <i>R</i> .0	3480.115. <i>R</i> .0	115	135	075* 100* 125 150 200 250 300	≈ 2,30	≈ 2,46
3450.125. <i>R</i> .0	3480.125. <i>R</i> .0	125	145	075* 100* 125 150 200 250 300	≈ 2,42	≈ 2,49
3450.150. <i>R</i> .0	3480.150. <i>R</i> .0	150	170	075* 100* 125 150 200 250 300	≈ 2,60	≈ 2,62
3450.175. <i>R</i> .0	3480.175. <i>R</i> .0	175	195	075* 100* 125 150 200 250 300	≈ 2,75	≈ 2,80
3450.200. <i>R</i> .0	3480.200. <i>R</i> .0	200	220	075* 100* 125 150 200 250 300	≈ 2,90	≈ 2,94
3450.225. <i>R</i> .0	3480.225. <i>R</i> .0	225	245	075* 100* 125 150 200 250 300	≈ 3,15	≈ 3,12
3450.250. <i>R</i> .0	3480.250. <i>R</i> .0	250	270	075* 100* 125 150 200 250 300	≈ 3,30	≈ 3,28

Radius available upon request, please consult igus for delivery time

Radii 075, 100: the e-tube is not completely enclosed. Please consult igus*

Supplement Part No. with required radius (*R*). Example: 3450.075.200.0

Open e-chains® in a flash with the igus® e-chain® opener

Reduce assembly time from 33 to 2 sec. with the igus® e-chain® Opener. Open a long piece of e-chain® in one go. Part No. 908.254.3400 for Series 3450. For widths *Bi* [mm]: 050, 075, 100, 115.

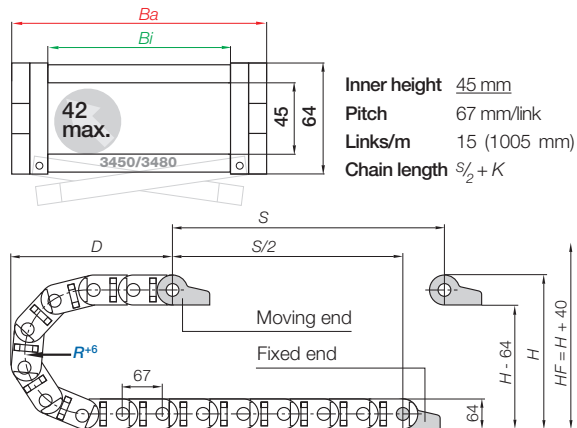
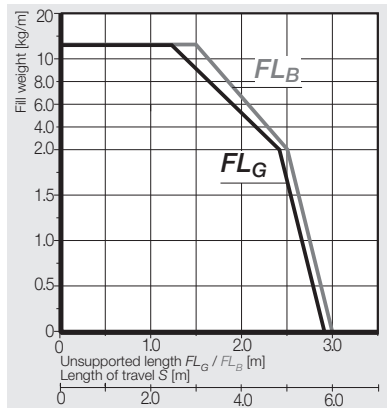
More information and video ► www.igus.eu/savetime



E2/000 | e-tubes 3450-3480 | Dimensions



Unsupported applications | Short travels



R	075*	100*	125	150	200	250	300
H	214	264	314	364	464	564	664
D	208	233	258	283	333	383	433
K	370	450	530	610	765	920	1080

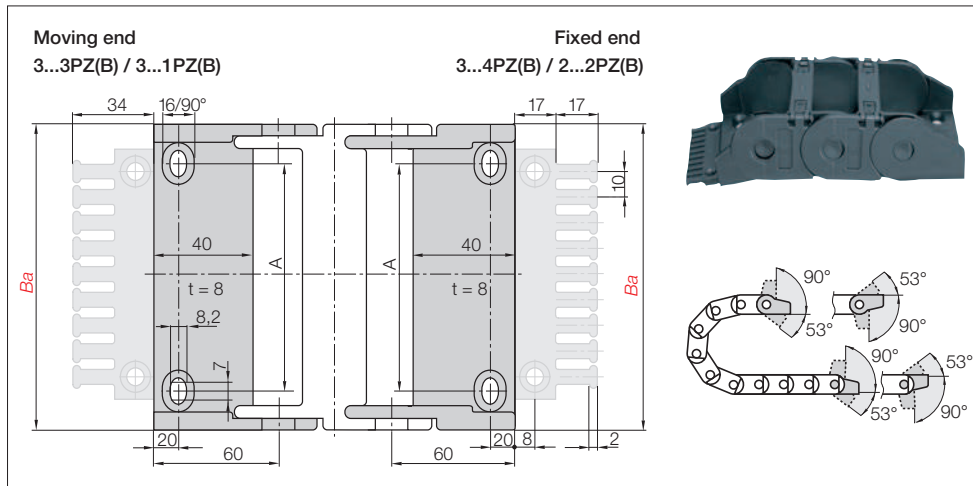
The required clearance height: $H_F = H + 40$ mm (with 2,5 kg/m fill weight)

*Radius available upon request, please consult igus® for delivery time Before using Series 3450/3480 on long travels please consult igus®.

3450
3480

E2/000 | e-tubes 3450-3480 | Accessories

Mounting brackets, polymer | pivoting | locking

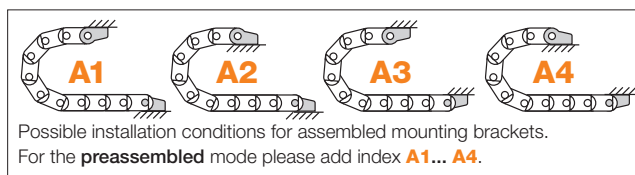


Polymer pivoting | Recommended for unsupported applications | Standard

Polymer locking | Recommended for vertical hanging and standing applications

Width Index	Standard	Part No. full set pivoting:		Part No. full set locking:		Dim. A [mm]	Number of teeth
		with tie-wrap plates	without tie-wrap plates	with tie-wrap plates	without tie-wrap plates		
.050.	▶	3050.34PZB	3050.34PZ	3050.12PZB	3050.12PZ	28	5
.075.	▶	3075.34PZB	3075.34PZ	3075.12PZB	3075.12PZ	53	7
.100.	▶	3100.34PZB	3100.34PZ	3100.12PZB	3100.12PZ	78	10
.115.	▶	3115.34PZB	3115.34PZ	3115.12PZB	3115.12PZ	93	11
.125.	▶	3125.34PZB	3125.34PZ	3125.12PZB	3125.12PZ	103	12
.150.	▶	3150.34PZB	3150.34PZ	3150.12PZB	3150.12PZ	128	15
.175.	▶	3175.34PZB	3175.34PZ	3175.12PZB	3175.12PZ	153	17
.200.	▶	3200.34PZB	3200.34PZ	3200.12PZB	3200.12PZ	178	20
.225.	▶	3225.34PZB	3225.34PZ	3225.12PZB	3225.12PZ	203	22
.250.	▶	3250.34PZB	3250.34PZ	3250.12PZB	3250.12PZ	228	25

Full set with tie-wrap plate + 10 cable tie-wraps, please add index **K1** ▶ e.g. 3250.34PZBK1



Part No. structure

3075.34 PZB **A1**

A... must be indicated on preassembled configurations
With strain relief tie-wrap plates
Full set pivoting = 34
Mounting bracket for selected width index



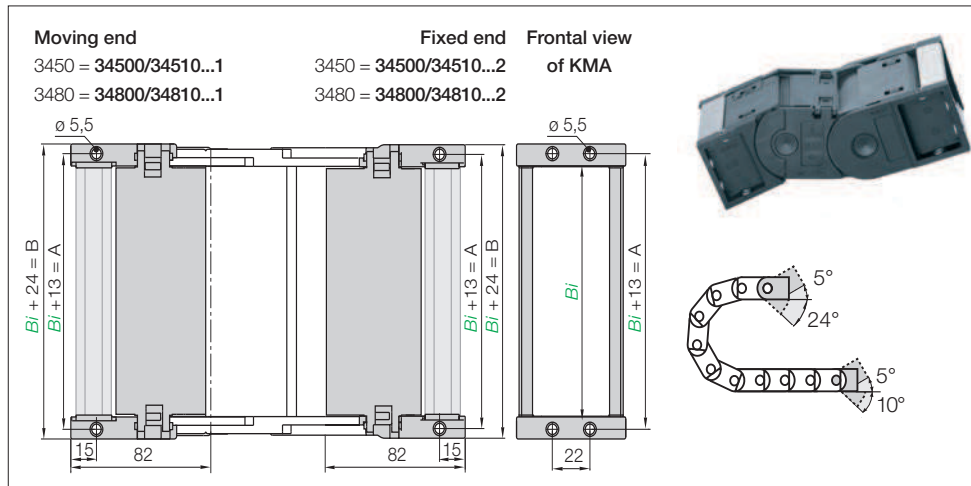
Strain relief e.g. clamps, tie-wrap plates, nuggets and plug-in clips are available from stock. The complete chainfix range with order options ▶ from page 656

318 3D-CAD files, configurators, PDF ▶ www.igus.eu/3450 ▶ www.igus.eu/3480

E2/000 | e-tubes 3450-3480 | Accessories

KMA mounting brackets | Attachment on all sides | pivoting | locking

3450
3480



KMA pivoting | Recommended for unsupported applications

KMA locking | Recommended for vertical hanging and standing applications

Width Index	Part No. full set KMA pivoting:		Part No. full set KMA locking:		Dim. A [mm]	Dim. B [mm]
	with C-profile	without C-profile	with C-profile	without C-profile		
.050	34500 34800 .050.12.C	34500 34800 .050.12	34510 34810 .050.12.C	34510 34810 .050.12	63	74
.075	34500 34800 .075.12.C	34500 34800 .075.12	34510 34810 .075.12.C	34510 34810 .075.12	88	99
.100	34500 34800 .100.12.C	34500 34800 .100.12	34510 34810 .100.12.C	34510 34810 .100.12	113	124
.115	34500 34800 .115.12.C	34500 34800 .115.12	34510 34810 .115.12.C	34510 34810 .115.12	128	139
.125	34500 34800 .125.12.C	34500 34800 .125.12	34510 34810 .125.12.C	34510 34810 .125.12	138	149
.150	34500 34800 .150.12.C	34500 34800 .150.12	34510 34810 .150.12.C	34510 34810 .150.12	163	174
.175	34500 34800 .175.12.C	34500 34800 .175.12	34510 34810 .175.12.C	34510 34810 .175.12	188	199
.200	34500 34800 .200.12.C	34500 34800 .200.12	34510 34810 .200.12.C	34510 34810 .200.12	213	224
.225	34500 34800 .225.12.C	34500 34800 .225.12	34510 34810 .225.12.C	34510 34810 .225.12	238	249
.250	34500 34800 .250.12.C	34500 34800 .250.12	34510 34810 .250.12.C	34510 34810 .250.12	263	274

KMA pivoting: Part No. 34500... for half e-tube Series 3450 / Part No. 34800... for full e-tube Series 3480

KMA locking: Part No. 34510... for half e-tube Series 3450 / Part No. 34810... for full e-tube Series 3480

(KMA = Polymer Metal Mounting Bracket)

Part No. structure

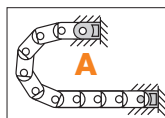
34500.075.12.C A

A... must be indicated on preassembled configurations

Full set with integrated C-profile

Width index

KMA pivoting



These attachment types are set automatically in the choice of the KMA mounting bracket. For the **preassembled** mode please add index **A**.



Option: Steel pivoting Part No. 3000.12 - For e-chains® and e-tubes available

● Pivoting connections ● One part (2-piece) for all e-chain® widths ● Electrically conductive



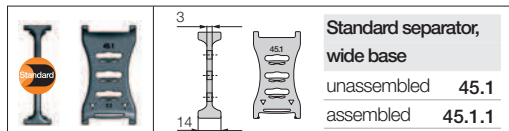
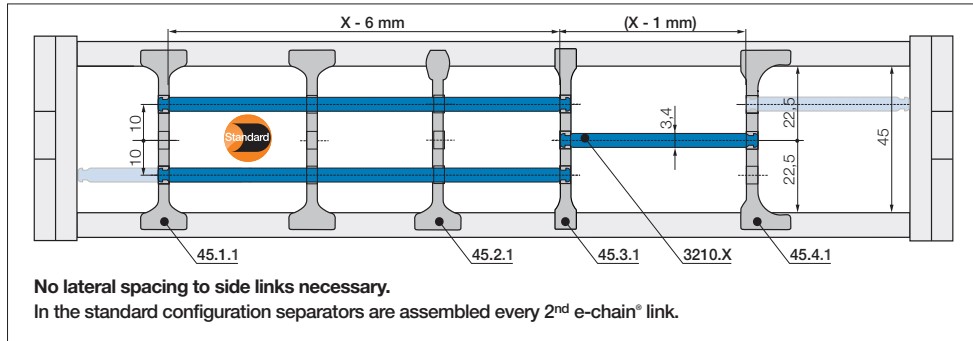
Strain relief e.g. clamps, tiewrap plates, nuggets and plug-in clips are available from stock. The complete chainfix range with order options ▶ from page 656

3450
3480

E2/000 | e-tubes 3450-3480 | Accessories

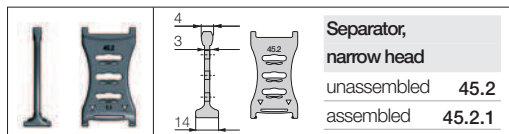
Interior separation | New generation

Previous interior separation with optional elements ► www.igus.eu/3450 ► www.igus.eu/3480



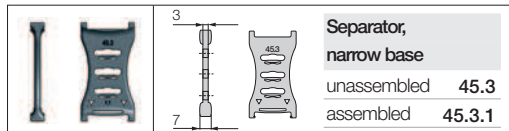
Standard - for all applications

Separator with a wide base for maximum locking strength and safe standing in e-chains®.



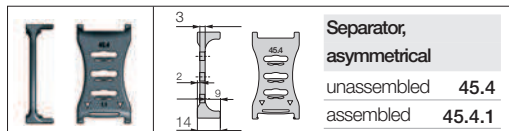
For even faster installation

Firm hold to one side with a wide base, narrow on opposed side for easy cable assembly (slight grip).



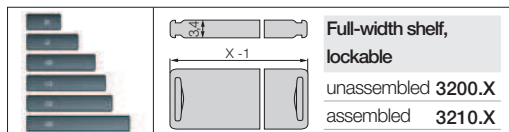
For many thin cables

Separator with a narrow base for a large number of thin cables side by side. Saves space in e-chains®.



For side-mounted applications

Asymmetrical separator, for defined distance.
No additional spacers necessary.



Horizontal separation

Full-width shelf locks safely into separators on both ends, fixed width possible. To be used as full-width shelf for a consequent subdivision or as shelf for a pattern system in 3 levels.



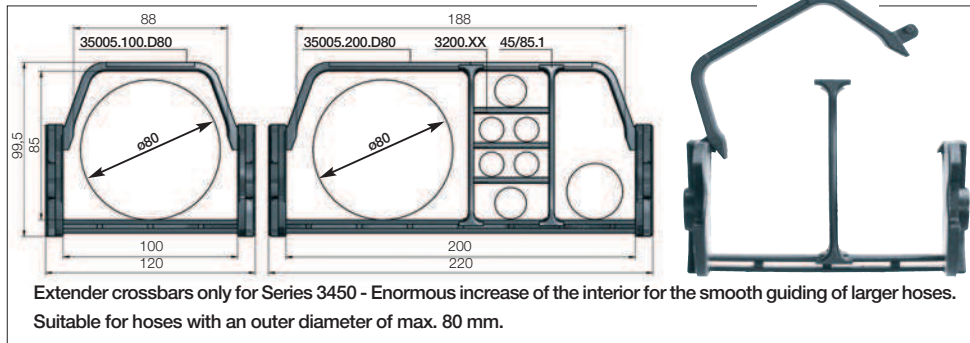
Lockable full-width shelves - for the standard interior separation

Width X [mm]	unassembled	assembled	Width X [mm]	unassembled	assembled	Width X [mm]	unassembled	assembled
050	3200.050	3210.050	125	3200.125	3210.125	225	3200.225	3210.225
075	3200.075	3210.075	150	3200.150	3210.150	250	3200.250	3210.250
100	3200.100	3210.100	175	3200.175	3210.175			
115	3200.115	3210.115	200	3200.200	3210.200			

e-tubes 3450-3480 | Further Accessories

Extender crossbars

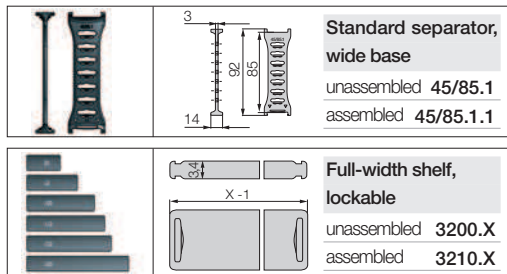
3450
3480



Extender crossbars for half e-tubes snap-open along inner radius	<i>Bi</i> [mm]	<i>Ba</i> [mm]	<i>R</i> Bending radii [mm]
3450.100D80.R.0	100	120	125 150 200 250 300
3450.200D80.R.0	200	220	125 150 200 250 300

Supplement Part No. with required radius (*R*). Example: 3450.100D80.200.0

Interior separation for extender crossbars



Standard separator, wide base

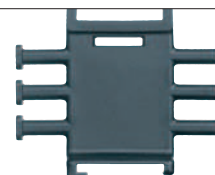
For maximum locking strength and safe standing. In standard configuration separators are assembled every 2nd link.

Horizontal separation

Full-width shelf locks safely into separators on both ends, fixed width possible. Separators can be moved freely over the shelf in horizontal direction. Can be arranged at 7 different heights.

Separator with integrated strain relief

Strain relief separator Part No. 34501.Z can be integrated into the mounting bracket and can be placed there at any point of the e-chain®. It combines strain relief and interior separation, it can be installed on the first or last e-chain® link and is easy to assemble without any screws. **More information ► from page 676**



Optional: Support tray tool kit.

For support of the lower run.

Simple one-piece support trays according to your requirements and specification. The complete range with order options ► from page 740

