

M12 MALE 90° FIELD-WIREABLE SCREW TERM.4-pol. max.0,75mm² 6-8mm

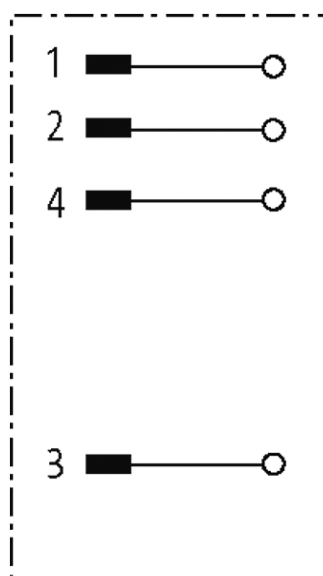
Male 90°

M12, 4-pole

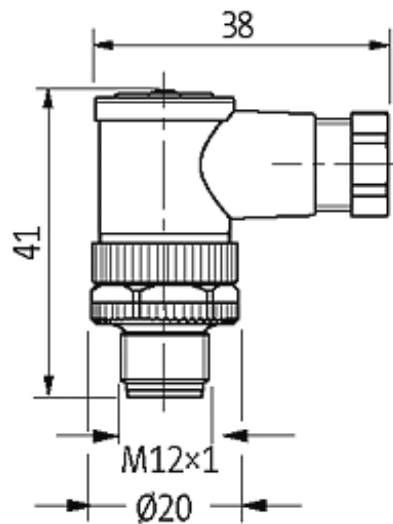
Screw terminals

Sealing range (cable Ø): 6...8 mm

Plastic housings with good resistance against chemicals and oils. The resistance to aggressive media should be individually tested for your application. Further details on request.

[Link to Product](#)**Illustration**

Male



Product may differ from Image

Approvals



Form

Form 12861

Technical Data

Operating voltage	max. 250 V AC/DC
Operating current per contact	max. 4 A
Connection cross section	max. 0.75 mm ²
Sealing range (cable Ø)	6...8 mm
Locking of ports	Screw thread M12 × 1 mm (recommended torque 0.6 Nm) self-securing

The information in this brochure has been compiled with the utmost care.

Liability for the correctness completeness and topicality of the information is restricted to gross negligence. Version: 05/17

Murrelektronik GmbH | Falkenstraße 3 | 71570 Oppenweiler | Fon +49 (71 91) 47-0 | Fax +49 (71 91) 47-491000 | shop@murrelektronik.com | shop.murrelektronik.com

Protection IP67 inserted and tightened (EN 60529)

General data

Temperature range -25...+85 °C

Dimensions H x W x D 41x35x20 mm

Commercial data

country of origin DE

customs tariff number 85369010

EAN 4048879201582

eClass 27279221

minimum order quantity 1