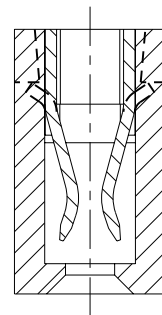
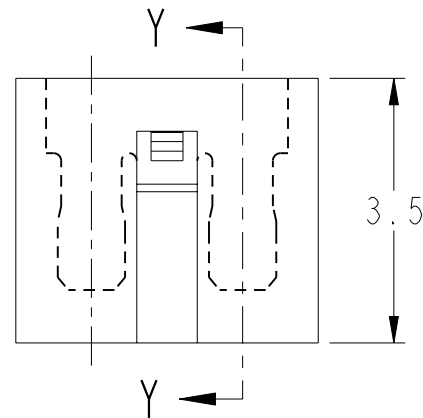
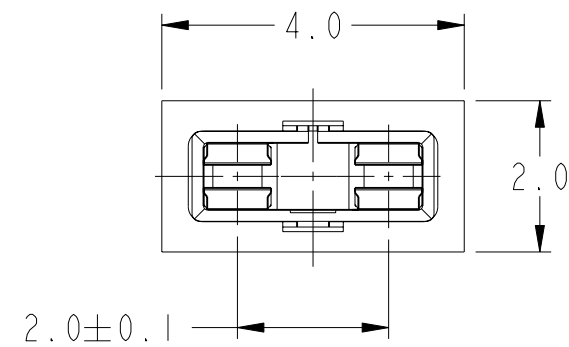


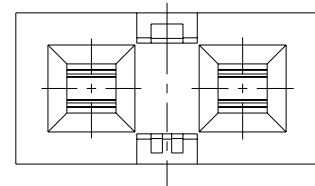
PRODUCT NO	PLASTIC MAT'L	COLOR	TERMINAL MAT'L	TERMINAL PLATING
86730-001	PBT	BLACK	PHOSPHOR BRONZE	0.2um MIN Au OVERPLATE
-101	PBT	BLACK	PHOSPHOR BRONZE	0.762um MIN Au OVERPLATE
-301	PBT	BLACK	PHOSPHOR BRONZE	0.381um MIN Au OVERPLATE
401	PBT	BLACK	PHOSPHOR BRONZE	3.81um MIN SnPb OVERPLATE
-002	PBT	BLUE	PHOSPHOR BRONZE	0.2um MIN Au OVERPLATE
-102	PBT	BLUE	PHOSPHOR BRONZE	0.762um MIN Au OVERPLATE
-302	PBT	BLUE	PHOSPHOR BRONZE	0.381um MIN Au OVERPLATE
402	PBT	BLUE	PHOSPHOR BRONZE	3.81um MIN SnPb OVERPLATE

OBSOLETE

OBSOLETE

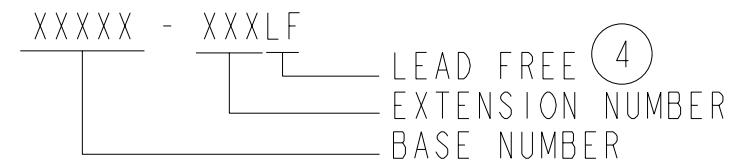


SECTION Y-Y



NOTES:-

- HOUSING MAT'L IS PER UL 94V-0
- PRODUCT TO BE MATED WITH 0.5mm SQ PIN.
- PRODUCT DESCRIPTION CODE :



- 86730-XXXLF IS SAME AS 86730-XXX. THE SUFFIX "LF" IS ADDED JUST FOR EASY LEAD FREE IDENTIFICATION
- THE HOUSING WILL WITHSTAND EXPOSURE TO 200°C PEAK TEMPERATURE FOR 10 SECONDS IN A CONVECTION, INFRA-RED OR VAPOR PHASE REFLOW OVEN.
- THIS PRODUCT MEETS EUROPEAN UNION DIRECTIVES AND OTHER COUNTRY REGULATIONS AS DESCRIBED IN GS-22-008.
- A \triangle SYMBOL WILL BE NEXT TO ANY DIMENSION, VIEW OR NOTE WHICH HAS BEEN MODIFIED WITH THE CURRENT DRAWING REVISION.

CONFIDENTIAL

www.fciconnect.com		surface - <input checked="" type="checkbox"/> ISO 1302	tolerance std ISO 406 ISO 1101	projection	MM
		TOLERANCES UNLESS OTHERWISE SPECIFIED			Scale 10:1
Dr	J. TAN	2004-08-03	ANGULAR	0.X	±-
Eng	JPEH	2004-08-03	LINEAR	0.XX	±0.25
Chr	KH LEE	2009-08-10	0° ±3°	0.XXX	±-
Appr	JOEY NG	2009-08-10	Product family	MINITEK	Spec ref -
FCI		Title		MINITEK JUMPER	
		Title		MINITEK	
		catalog no		-	
		dwg no		86730	
		Rev.		M	
		CUSTOMER		sheet 1 of 1	

rev	ecn no	dr	date
K	S04-0271	KBM	2004-12-21
L	S06-0236	KHL	2006-07-17
M	S09-0252	NBR	2009-08-10
-	-	-	-
-	-	-	-
H	S50056	BSL	1995-03-23
J	S04-0049	JPEH	2004-03-19

X-ON Electronics

Largest Supplier of Electrical and Electronic Components

Click to view similar products for [Headers & Wire Housings](#) category:

Click to view products by [Amphenol](#) manufacturer:

Other Similar products are found below :

[95000-104TRLF](#) [10135584-644402LF](#) [DF62W-EP2022PCA](#) [95000-106TRLF](#) [DF62W-2022SCA](#) [DF62W-EP2022PC](#) [2203348](#) [DF62W-2022SC](#) [1084018](#) [1029039](#) [1084017](#) [802-10-012-10-002000](#) [1112640](#) [1112639](#) [000-34000](#) [0009482033](#) [0009507031](#) [57102-S06-03LF](#) [57202-S52-04LF](#) [PCN6-15S-2.5E](#) [0039019024](#) [58102-G61-06LF](#) [582553-1](#) [0009485154](#) [0009508121](#) [0022285053](#) [0050291907](#) [018731A](#) [LY20-4P-DT1-P1E-BR](#) [02.125.8002.8](#) [60101931](#) [60598-1 \(Cut Strip\)](#) [M1625-3R/100](#) [61062-3](#) [61082-181009](#) [636-1427](#) [638009-1](#) [641938-9](#) [641991-4](#) [644168-1](#) [647662-1](#) [65039-019ELF](#) [65817-002LF](#) [65817-015LF](#) [65863-015LF](#) [66207-023LF](#) [67016-026LF](#) [67046-001LF](#) [67095-007LF](#) [67230-005LF](#)