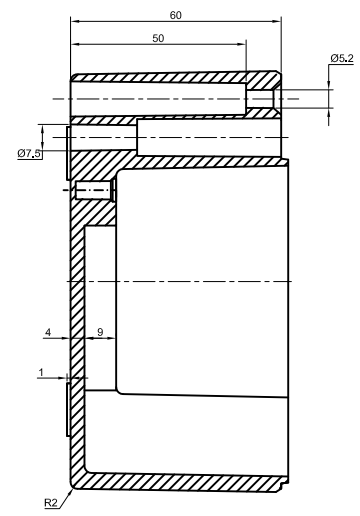
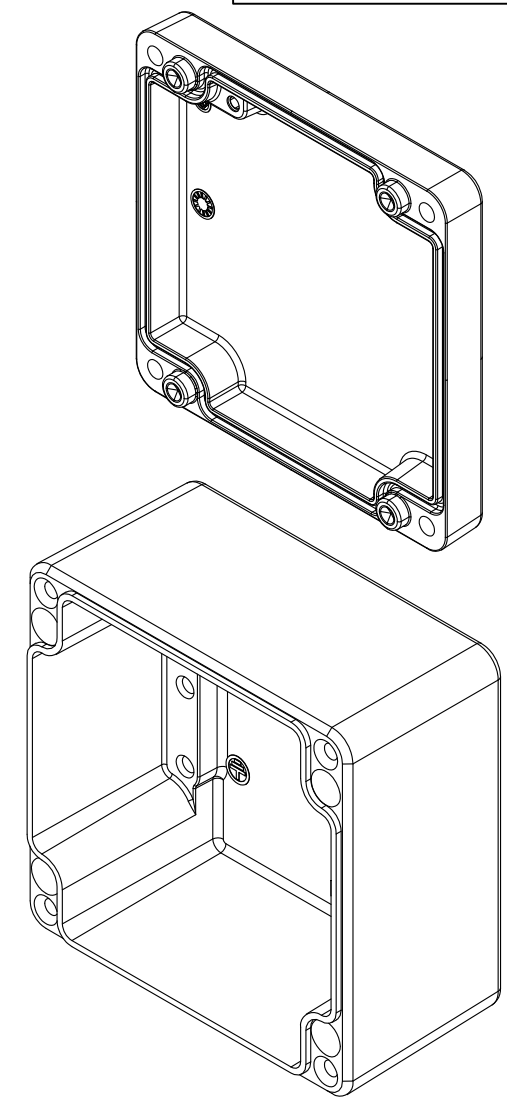


SECTION -A-A



SECTION B-B

\* = Conical form tapering downward.  
 Untoleranced dimensions per GTA 13/5 DIN 1688



QUANTITY 1	MATERIAL :- <b>Alsi12</b> <b>DIN230</b>	MACH.NAME -	DATE	SIGN	NAME	
			30/04/12		MANOJ	DESIGN
TOLERANCE ±0.2 DIMENSIONS ±0.2 HOLES ±1.0° ANGLES	WEIGHT: - FINISH: NATURAL	TITLE :- JUNCTION BOX 122 x 120 x 91	30/04/12		PAVAN	CHECKED
					S. D.	APPROVED
		<b>Raychem RPG (P) Limited</b>	SCALE	PARTNO.		0
		Ceat Mahal Annexe, Dr. Annle Besant Road , Worli , Mumbai 400030 Web : www.raychemrpg.com	<b>REV</b> 0	DRG. NO.		<b>AJB-12212081</b>

PROPERTY OF RaychemRPG (P) LTD.  
 ALL RIGHTS RESERVED AND/OR PHOTOCOPIING THIS DOCUMENT  
 TO A PERSON WITHOUT RaychemRPG (P)LTD. WRITTEN AUTHORIZATION IS PROHIBITED