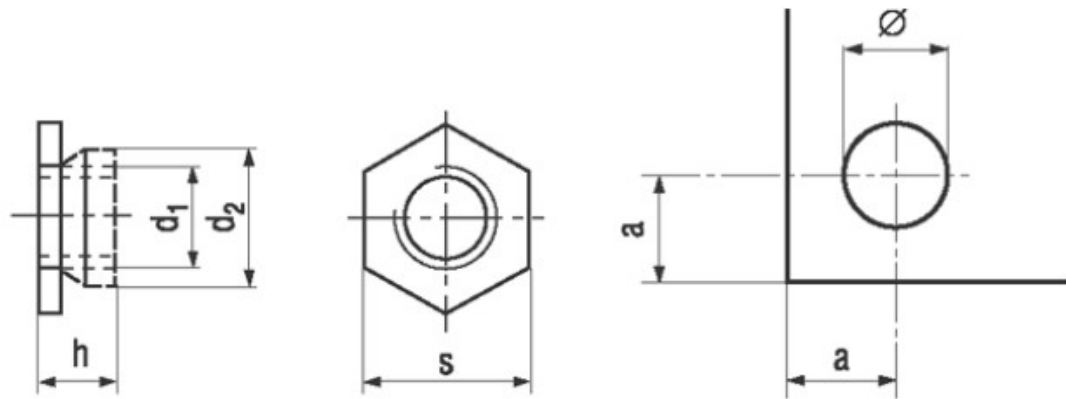


## BN 642

Self clinching insert nuts



Material	Steel	Quality	A1
----------	-------	---------	----

### Article No. - 1242687

$d_1$	M4
Sheet thickness	1,5-2,3
$d_2$ max.	7,34
h max.	1,5
s	7,9
Hole size	7,35
Distance to edge	

For sheet metal with max. hardness HRB 70.