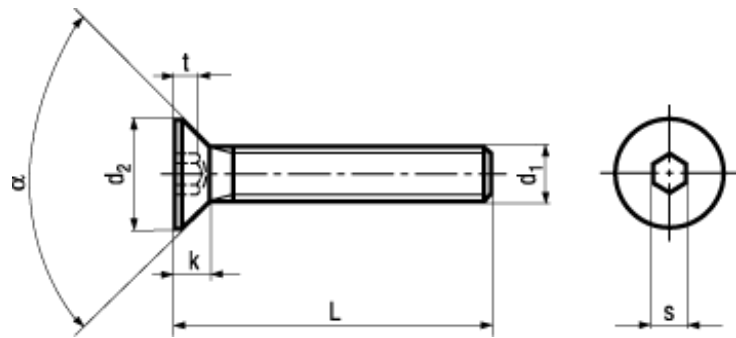




Standard withdrawn

The head marking is determining



BN 21

Hex socket flat countersunk head screws

- fully threaded
- Steel 010.9 / 10.9
- zinc plated blue
- ~UNI 5933



ISO 4042

Fasteners hardness ≥ 320 HV with electroplated coatings:
Susceptible to hydrogen embrittlement!
Further notice to residual risks can be found in the introduction section.



Fasteners to the given specification have a reduced loadability due to the head geometry according to ISO 898-1.
The general change-over from DIN 7991 to ISO 10642 in the practice requires a verification of the application.

Article#	d ₁	d ₂ max.	k max.	s	t	α	L
5504176	M3	6	1,7	2	1,2	90°	(5)
1022741							(6)
1022768							8
1022776							10
1022784							12
1022792							(14)
1022806							16
1022814							(18)
1022822							20
5504290							25
5504420							30
5504296	M4	8	2,3	2,5	1,8	90°	(6)
1022830							8
1022849							10
1022857							12
1022865							(14)
1022873							16
1022881							(18)
1022903							20
1022911							(22)
1022938							25
1022946							30
1022954							35
1022962							40