



A Phoenix Mecano Company

BoPad

BOPLA
enclosures ■ content matters

System integration

From a standard enclosure to your specific application.

Over the years we have acquired comprehensive know-how in many disciplines connected with enclosure manufacture. In addition to the simplest mechanical processing, we offer individual

improvement and a wide selection of services. We advise you and look after you from the system idea to series production readiness.



STANDARD ENCLOSURE FROM STOCK

The standard BOPLA enclosure is the starting point for every application.



MECHANICAL PROCESSING

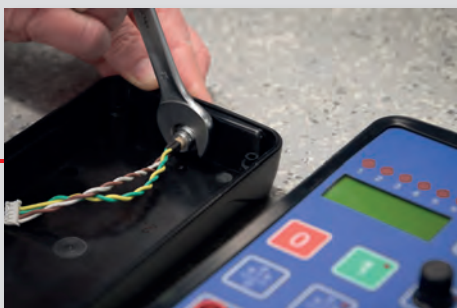
We excel in all standard processes: milling, drilling, countersinking, thread-cutting, sawing, ultrasonic welding, and many more.



Example of application:
Console enclosure
with membrane keypad and
integrated display



Example of application:
Hand-held enclosure
with membrane keypad



ASSEMBLY

If you wish, we can install further elements, such as PCBs, cable glands and complex electronics ESD-safe. We will also be pleased to perform final inspection of the entire application for you.



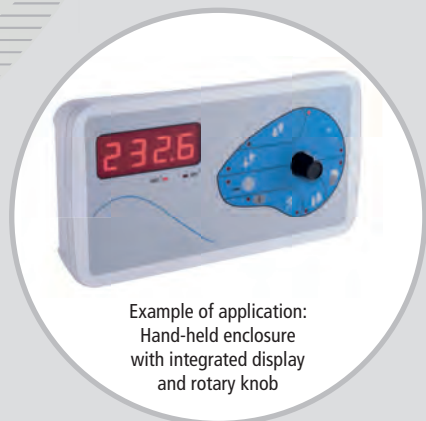
Process: Laser marking

3.



IMPROVEMENT

Our modern machinery allows various improvement processes such as engraving and laser engraving, printing and lacquering, powder and EMC coatings.



Example of application:
Hand-held enclosure
with integrated display
and rotary knob

Additional services:

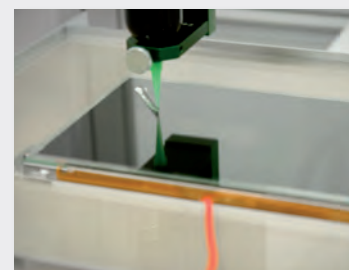
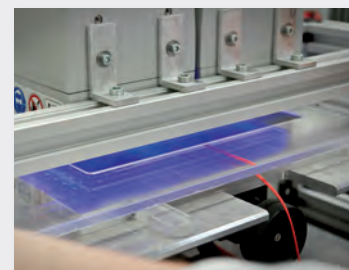
HMI

We create HMI devices for every application.



From simple membrane mounting to the complex integration of touch screens. All in impressive quality and with an appealing design.

On request we fit your touch screens or displays. These are joined to the glass front by means of optical bonding. In contrast to an air gap, the liquid glueing process achieves a high level of optical quality and mechanical stability.



PRINTING

We use screen and pad printing according to your instructions – the method of printing is coordinated with the product. We print in RAL, Pantone or HKS colours.



ELECTRONICS

The integration of highly-sensitive components / modules and the final check of the device by means of a function and end test is carried out by our qualified and expert personnel.



BoPad



Detailed product information can be found on www.bopla.de



- 5 basic sizes
- 2 colours
- Flat or inclined variants
- Battery compartment variants up to BOP 900
- Design seal optional
- Impact protection optional
- Optimised for the integration of touch screens or displays (BOP 7.0 / 10.1)
- Direct VESA fitting possible (BOP 7.0 / 10.1)

Colour:

Black, similar to RAL 9005;
White, similar to RAL 9016;
Special colours on request

Protection class:

IP 40; with seal: IP 65 DIN EN 60529

Enclosure material:

Enclosures: ABS
Seal / impact protection: TPE
For details see technical information

The wide and impressive range of handheld enclosures offers a modern design and individual design elements



Recessed area in the lid for the mounting of membrane keypads (BOP 500, 700, 900: 1.8 mm; BOP 7.0, BOP 10.1: 2.5 mm)



Flat or inclined variants



Protection provided by recessed operating surface



Ingress protection IP 65 by means of design seal; available in various colours



Protection of the enclosure by means of optional impact protection; available in various colours



Variants with and without battery compartment (up to size BOP 900)



Optimised for the integration of touch screens and Li-Ion rechargeable battery system 18650 (BOP 7.0 or BOP 10.1 resp.)



Ergonomic grip recess on the enclosure and also on the impact protection (BOP 7.0 or BOP 10.1 resp.)



Direct VESA fitting (75 x75 mm) possible for BOP 7.0 or BOP 10.1 resp.

BoPad | Enclosures



Hand-held enclosure, IP40 (IP65)

Model	Order no.	A	B	C	a1	a2	b1	b2	c1	c3	Colour
BOP 500-9005	35150015	130	75	26	114	115,8	64	62,6	18,5	2,5	Black
BOP 500-9016	35150016	130	75	26	114	115,8	64	62,6	18,5	2,5	White
BOP 700-9005	35170015	165	90	34	147	147,3	77	74,1	25,5	3	Black
BOP 700-9016	35170016	165	90	34	147	147,3	77	74,1	25,5	3	White
BOP 900-9005	35190015	200	105	34	180	181,9	90	89,1	25,5	3	Black
BOP 900-9016	35190016	200	105	34	180	181,9	90	89,1	25,5	3	White

Scope of delivery: Lid and base, 4 screws

Note: Upgradable to IP65 with design seal BOP_DI.

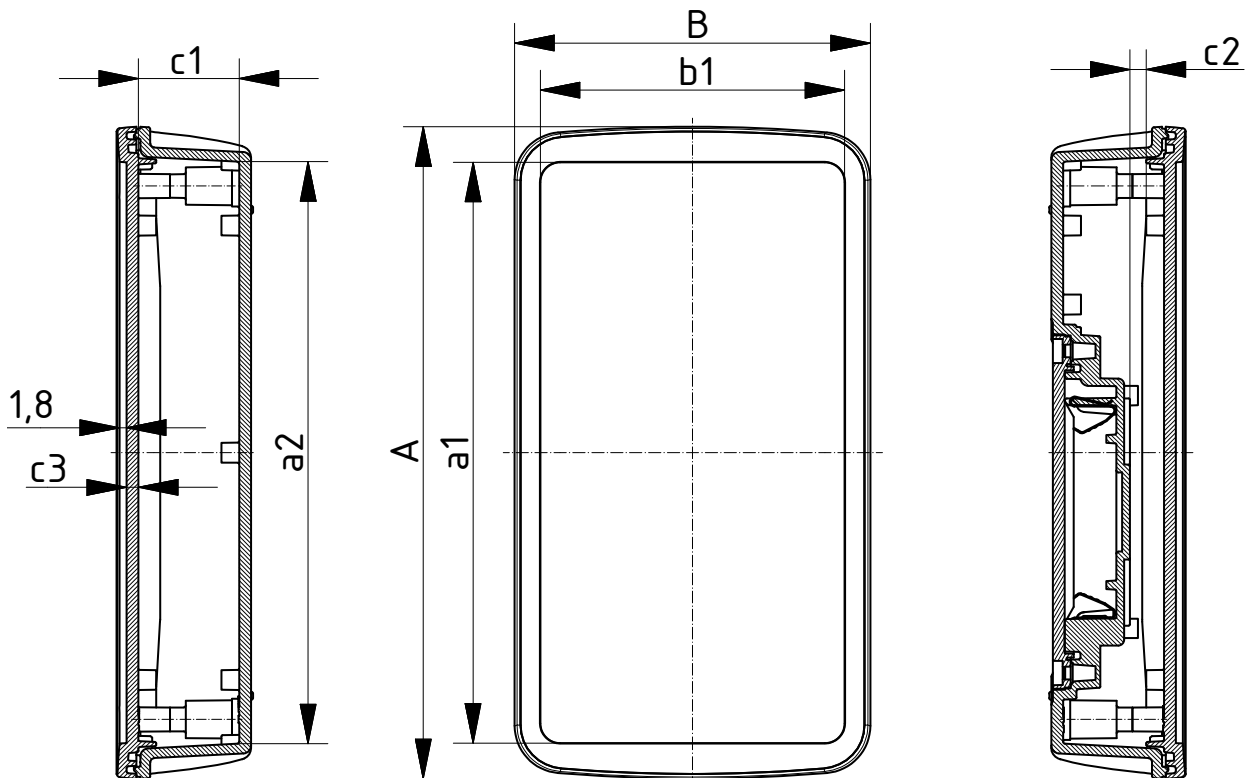


Hand-held enclosure with battery compartment, IP40 (IP65)

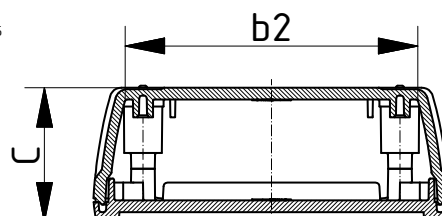
Model	Order no.	A	B	C	a1	a2	b1	b2	c1	c2	c3	Colour
BOP 500 BE4MC-9005	35150025	130	75	26	114	115,8	64	62,6	18,5	6,1	2,5	Black
BOP 500 BE4MC-9016	35150026	130	75	26	114	115,8	64	62,6	18,5	6,1	2,5	White
BOP 700 BE4MN-9005	35170025	165	90	34	147	147,3	77	74,1	25,5	8,6	3	Black
BOP 700 BE4MN-9016	35170026	165	90	34	147	147,3	77	74,1	25,5	8,6	3	White
BOP 900 BE4MN-9005	35190025	200	105	34	180	181,9	90	89,1	25,5	8,6	3	Black
BOP 900 BE4MN-9016	35190026	200	105	34	180	181,9	90	89,1	25,5	8,6	3	White

Scope of delivery: Lid and base, 4 screws, battery compartment lid, screws, battery contacts

Note: Upgradable to IP65 with design seal BOP_DI.



Z-2804005



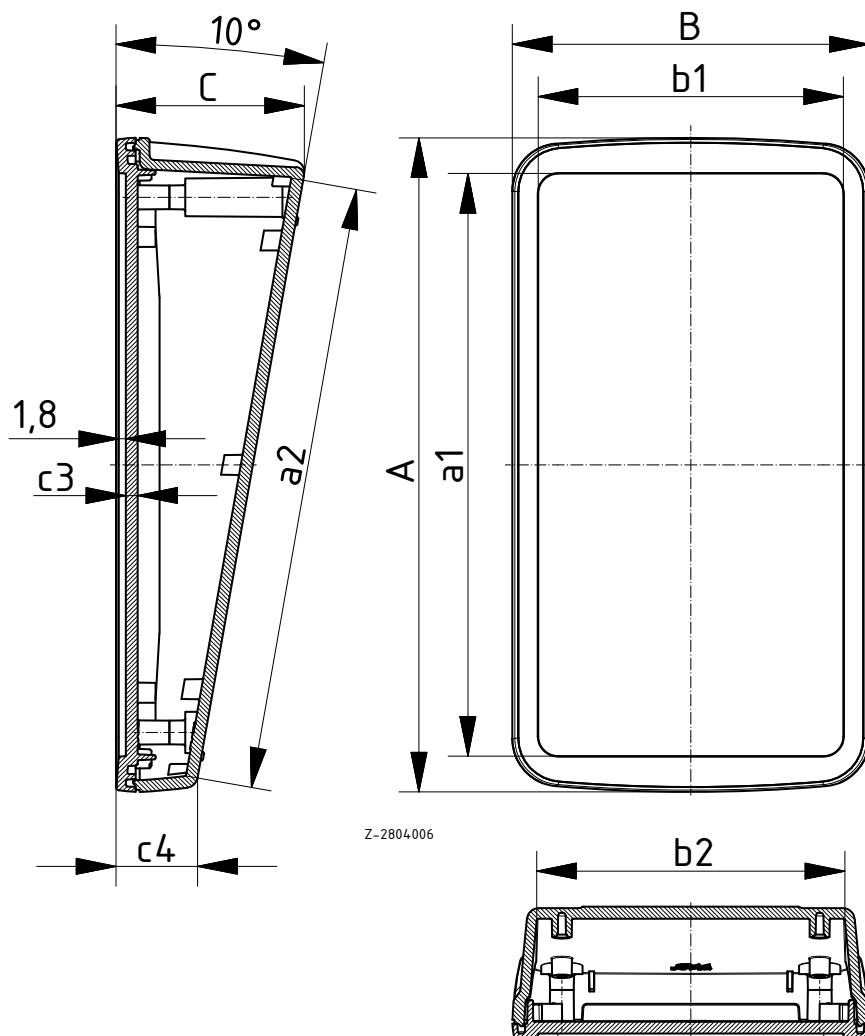
BoPad | Enclosures

Console enclosure, IP40 (IP65)

Model	Order no.	A	B	C	a1	a2	b1	b2	c3	c4	Colour
BOP 700 PH-9005	35170035	165	90	47,5	147	153,4	77	77,1	3	20,6	Black
BOP 700 PH-9016	35170036	165	90	47,5	147	153,4	77	77,1	3	20,6	White
BOP 900 PH-9005	35190035	200	105	53,6	180	188,8	90	91,5	3	20,6	Black
BOP 900 PH-9016	35190036	200	105	53,6	180	188,8	90	91,5	3	20,6	White

Scope of delivery: Lid and base, 4 screws, 4 rubber feet

Note: Upgradable to IP65 with design seal BOP_DI.



BoPad | Enclosures

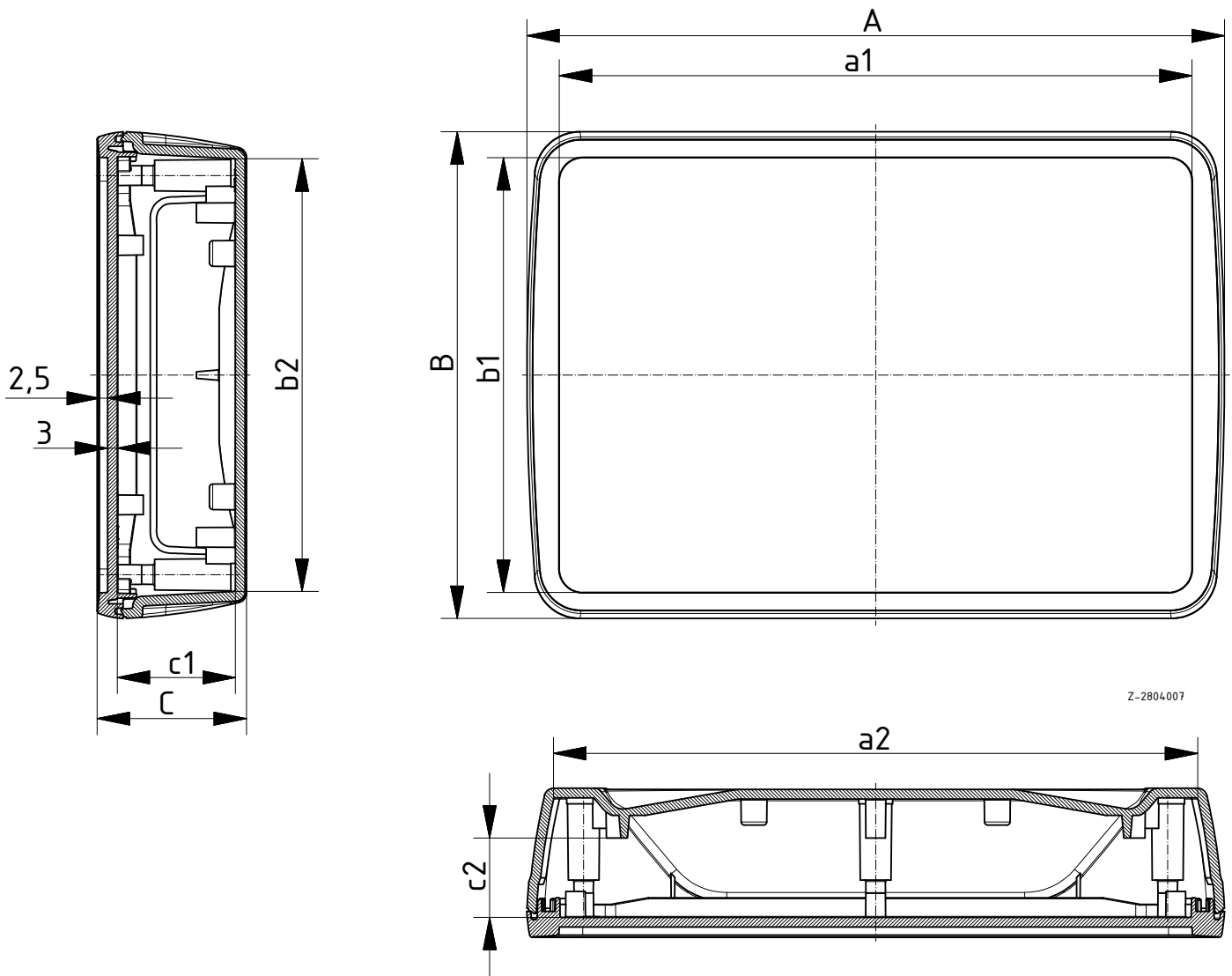
Touch/operating enclosure, IP40 (IP65)

Model	Order no.	A	B	C	a1	a2	b1	b2	c1	c2	Colour
BOP 7.0-9005	35107015	215	150	46	195	193,9	134	133,4	36,4	24,4	Black
BOP 7.0-9016	35107016	215	150	46	195	193,9	134	133,4	36,4	24,4	White
BOP 10.1-9005	35110115	285	198	46	262	262,9	181	180,9	36,4	24,4	Black
BOP 10.1-9016	35110116	285	198	46	262	262,9	181	180,9	36,4	24,4	White

Scope of delivery: Lid and base, 6 screws

Note: The enclosures are designed for the integration of 7.0" and 10.1" touch screens / displays.

Upgradable to IP65 with design seal BOP_DI.



BoPad | Enclosures

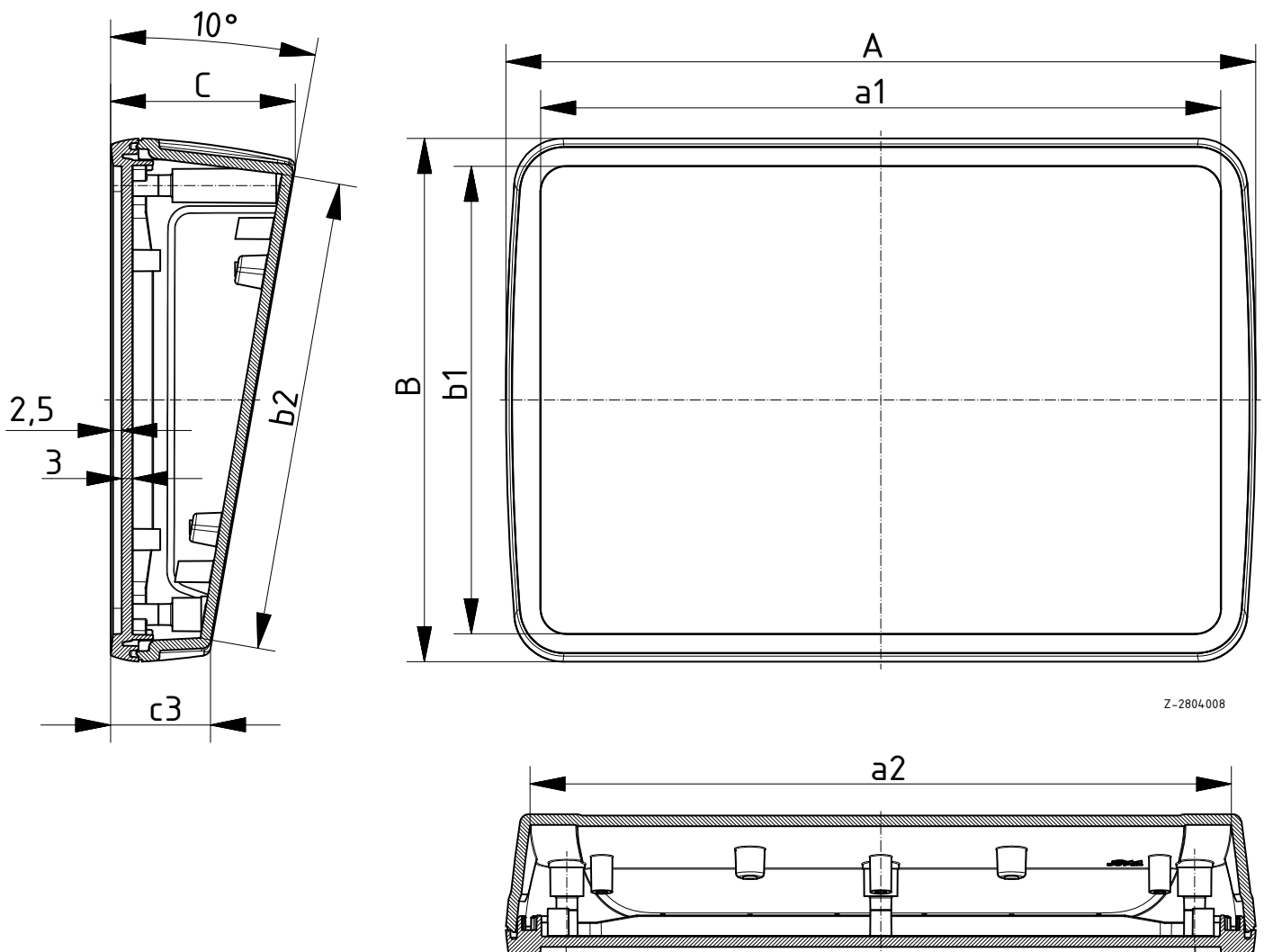
Touch/operating console enclosure crosswise, IP40 (IP65)

Model	Order no.	A	B	C	a1	a2	b1	b2	c3	Colour
BOP 7.0 PQ-9005	35107045	215	150	53	195	196,9	134	135,1	28,7	Black
BOP 7.0 PQ-9016	35107046	215	150	53	195	196,9	134	135,1	28,7	White
BOP 10.1 PQ-9005	35110145	285	198	61,2	262	266	181	182,8	28,7	Black
BOP 10.1 PQ-9016	35110146	285	198	61,2	262	266	181	182,8	28,7	White

Scope of delivery: Lid and base, 6 screws, 4 rubber feet

Note: The enclosures are designed for the integration of 7.0" and 10.1" touch screens / displays.

Upgradable to IP65 with design seal BOP_DI.



BoPad | Accessories



BOP 500 DI, BOP 700 DI, BOP 900 DI



BOP 7.0 DI, BOP 10.1 DI

Design seal IP65

Model	Order no.	Colour
BOP 500 DI-9005	35250005	Black
BOP 500 DI-9016	35250006	White
BOP 500 DI-5005	35250000	Signal blue
BOP 500 DI-3001	35250001	Signal red
BOP 700 DI-9005	35270005	Black
BOP 700 DI-9016	35270006	White
BOP 700 DI-5005	35270000	Signal blue
BOP 700 DI-3001	35270001	Signal red
BOP 900 DI-9005	35290005	Black
BOP 900 DI-9016	35290006	White
BOP 900 DI-5005	35290000	Signal blue
BOP 900 DI-3001	35290001	Signal red
BOP 7.0 DI-9005	35207005	Black
BOP 7.0 DI-9016	35207006	White
BOP 7.0 DI-5005	35207000	Signal blue
BOP 7.0 DI-3001	35207001	Signal red
BOP 10.1 DI-9005	35210105	Black
BOP 10.1 DI-9016	35210106	White
BOP 10.1 DI-5005	35210100	Signal blue
BOP 10.1 DI-3001	35210101	Signal red

Scope of delivery: Enclosure seal and battery compartment seal

Note: Use the battery compartment if required.



Impact protection

Model	Order no.	Colour
BOP 500 S-9005	35350005	Black
BOP 500 S-5005	35350000	Signal blue
BOP 500 S-3001	35350001	Signal red
BOP 500 S-1003	35350003	Signal yellow
BOP 700 S-9005	35370005	Black
BOP 700 S-5005	35370000	Signal blue
BOP 700 S-3001	35370001	Signal red
BOP 700 S-1003	35370003	Signal yellow
BOP 900 S-9005	35390005	Black
BOP 900 S-5005	35390000	Signal blue
BOP 900 S-3001	35390001	Signal red
BOP 900 S-1003	35390003	Signal yellow
BOP 7.0 S-9005	35307005	Black
BOP 7.0 S-5005	35307000	Signal blue
BOP 7.0 S-3001	35307001	Signal red
BOP 7.0 S-1003	35307003	Signal yellow
BOP 10.1 S-9005	35310105	Black
BOP 10.1 S-5005	35310100	Signal blue
BOP 10.1 S-3001	35310101	Signal red
BOP 10.1 S-1003	35310103	Signal yellow

Scope of delivery: Impact protection

Note: With impact protection, design seal BOP...DI must be mounted on the enclosure.

BoPad | Accessories

Screw covers for enclosure screws

Model	Order no.	Colour
BOP-SA-9005	35007405	Black
BOP-SA-9016	35007406	White

Scope of delivery: 24 pieces

Note: If impact protection is fitted, the screw covers are not needed.



Universal VESA standard (75x75) wall fitting

Model	Order no.	Colour
VESA-WB-9005	35111005	Black
VESA-WB-9016	35111016	White

Scope of delivery: Enclosure adapter, wall panel, 4 fastening screws, 1 fixing screw

Note: Enclosure adapter for direct mounting on the BOP 7.0 / BOP 10.1 by means of processing, also for screwing onto the BOP 900. The wall panel is suitable for wall mounting, cavity wall box mounting and VESA mounting.

The wall fitting can be used for every enclosure with a fixing area greater than/equal to 115x90 mm



Rechargeable battery holder for 18650 Li-Ion batteries for BOP 7.0 / BOP 10.1

Model	Order no.	Note
BH 18650-1 LF	59186511	For 1x 18650, connection with soldering tags
BH 18650-1 SMD	59186512	For 1x 18650, for SMD mounting
BH 18650-1 THM	59186513	For 1x 18650, for mounting with solder pins
BH 18650-2 LF	59186521	For 2x 18650, connection with soldering tags
BH 18650-2 SMD	59186522	For 2x 18650, for SMD mounting
BH 18650-2 THM	59186523	For 2x 18650, for mounting with solder pins

Scope of delivery: 1 rechargeable battery holder



HP U

- 54
- 53
- 52 **6**
- 51
- 50
- 49
- 48
- 47
- 46
- 45
- 44 **5**
- 43
- 42
- 41
- 40
- 39
- 38
- 37
- 36
- 35 **4**
- 34
- 33
- 32
- 31
- 30
- 29
- 28
- 27
- 26 **3**
- 25
- 24
- 23
- 22
- 21
- 20
- 19
- 18 **2**
- 17
- 16
- 15
- 14
- 13
- 12
- 11
- 10
- 9 **1**
- 8
- 7
- 6
- 5
- 4
- 3
- 2
- 1
- 0 **0**

Bopla Gehäuse Systeme GmbH | Borsigstraße 17-25 | D-32257 Bünde
Tel. +49 (0) 5223-969-0 | Fax +49 (0) 5223-969-100
info@bopla.de | www.bopla.de



A Phoenix Mecano Company

ENGLISH - 88112605 2017/02

