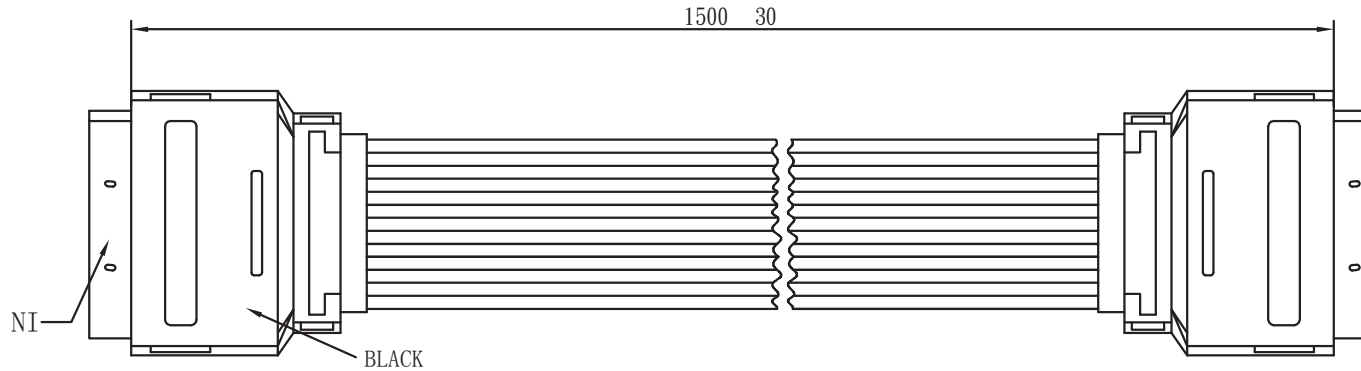
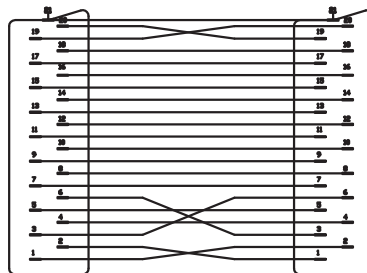


FILE AMEND NOTE	DATE	REV.
ORIGINAL EDITION	2012/11/08	A/0

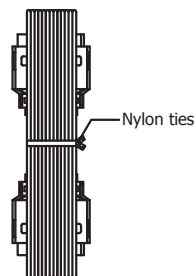


Wiring Method



①	1.0 PVC
②	10x0.10 CCS
③	28x 0.10 CCS
④	∅. 2 PVC BLACK

Packing length



NO.	ITEM NO.	EAN CODE:	L
1	CA1027	4052792008531	1,5m

DRAW No.	NAME	Scart cable, 2X Scart male, flat		
CUSTOMER	2direct GmbH	MAPE	TOLERANCE	
CUSTOMER No.			X. 1.00	X.X 0.50
APPROVE BY	CHECK BY	DRAW BY	SCALE	MM
			PAGE	1/2

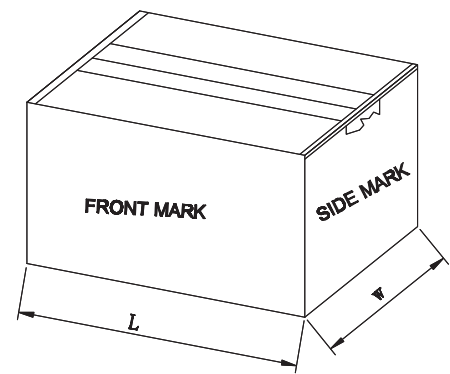
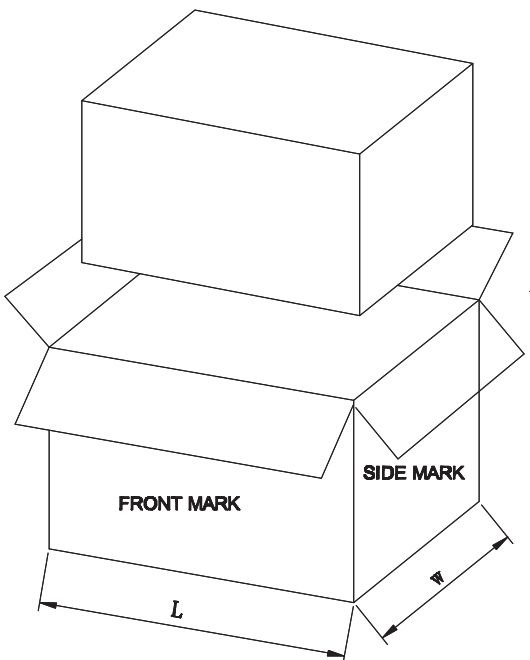
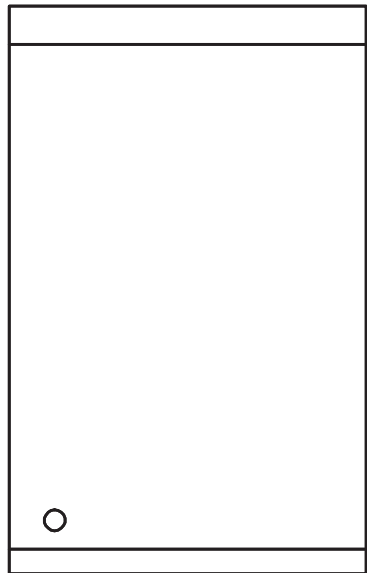
No.	PART NAME	DESCRIPTION	QTY	REMARK
-----	-----------	-------------	-----	--------

FILE AMEND NOTE	DATE	REV.
ORIGINAL EDITION	2012/11/08	A/0

PACKING DRAW:

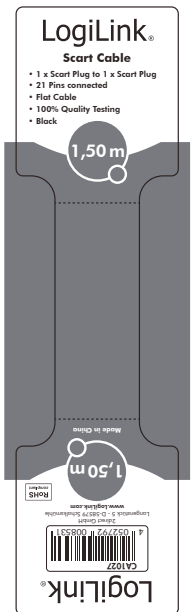


1PCS/BAG



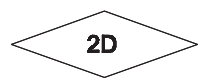
“工” shaped packaging
three packaging tape

STICKER



Pantone cool grey 9C, Black
Size: 48x180 mm R= 2mm
材質: 80P銅版紙, 上亮PP(光膠)

OUTER CARTON FRONT MARK:



GERMANY
C/NO.:01,02...
MADE IN CHINA

OUTER CARTON SIDE MARK:

PO NO.:
ITEM NO.:
Q'TY: PCS
N.W: KGS
G.W: KGS
Dimension:
EAN CODE:

NOTE:

Electrical test:
100% open short & miss wire test;

DRAW No.		NAME	Scart cable, 2X Scart male, flat		
CUSTOMER	2direct GmbH		MAPE	TOLERANCE	
CUSTOMER No.				X. ±1.00 XX ±0.50	
APPROVE BY	CHECK BY	DRAW BY	SCALE	MM	
			PAGE	2/2	

No.	PART NAME	DESCRIPTION	QTY	REMARK
-----	-----------	-------------	-----	--------