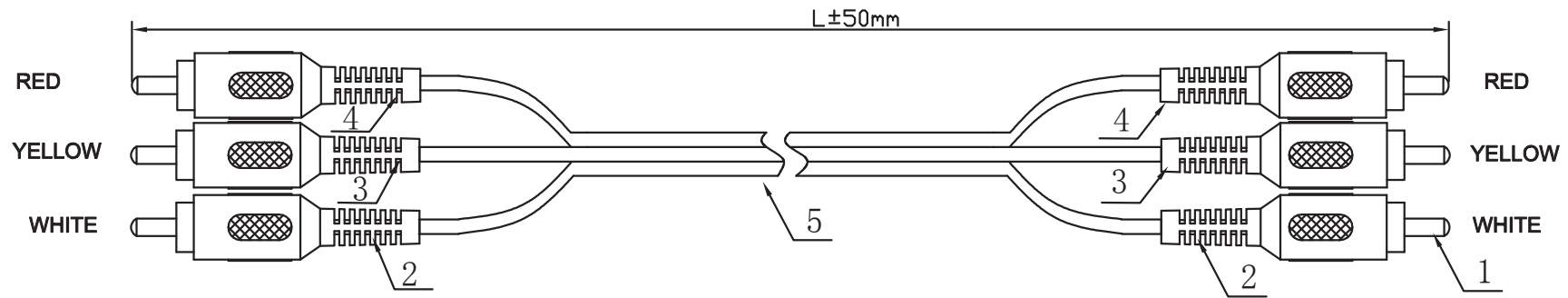
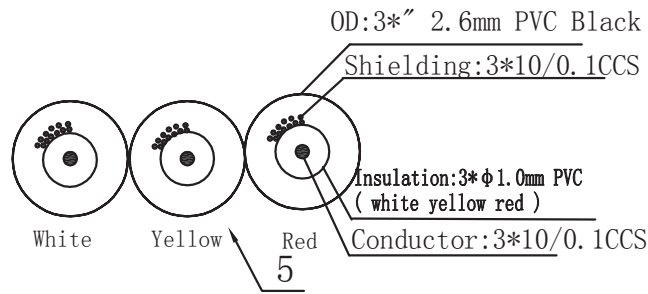


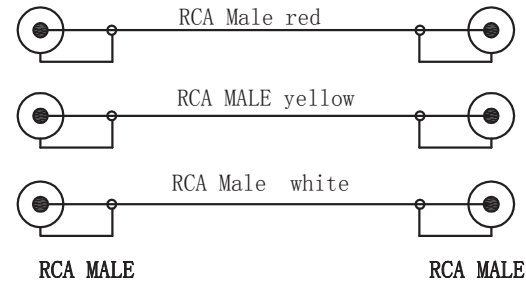
FILE AMEND NOTE	DATE	REV.
ORIGINAL EDITION	2012/10/24	A/0



SPECIFICATION



WIRING DIAGRAM



NOTE:

Electrical test
100% open short & miss wire test;

NO.	ITEM NO.	EAN CODE:	L
1	CA1062	4052792008982	1,5m

MATERIAL LIST

⑦	PRINTING			
⑥	POLY BAG	PE, COLOR: TRANSPARENT	1	
⑤	CABLE	3C AV CABLE Cold Black	L	
④	MOLD HOOD	PVC 45P Color Red	1	
③	MOLD HOOD	PVC 45P Color Yellow	1	
②	MOLD HOOD	PVC 45P Color White	1	
①	CONNECTOR	RCA Male Nickel Plated	1	
No.	PART NAME	DESCRIPTION	QTY	REMARK

NOTE:

- TESTING: 100% OPEN AND SHORT AND MISWIRE TEST.
- INSULATION RESISTANCE: 100Meg Ohm.
- WITHSTAND VOLTAGE: 500 VOLTS RMS, 1 MINUTE.
- OPERATING TEMPERATURE RANGE: -20 ! TO + 75! .
- 100% RoHS COMPLIANT.

DRAW No.	NAME	Audio/Vedio cable, 2X3 Cinch male		
CUSTOMER	MAPE	TOLERANCE		
CUSTOMER No.		X.	1.00	
APPROVE BY	CHECK BY	DRAW BY	SCALE	MM
			PAGE	1/2

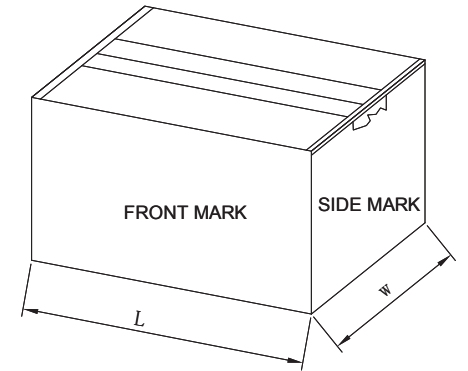
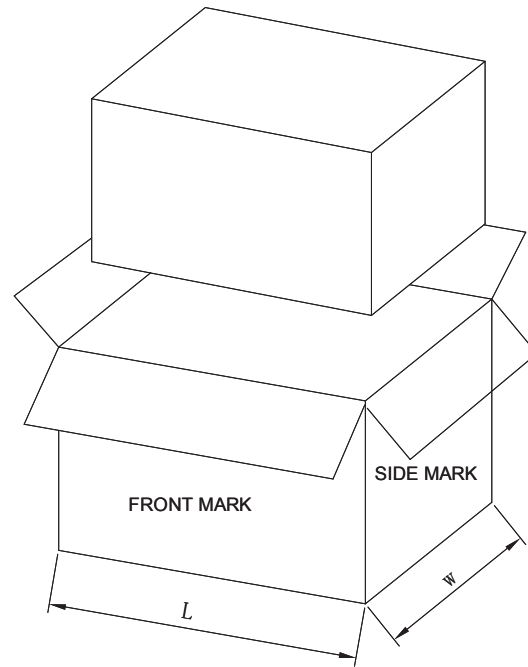
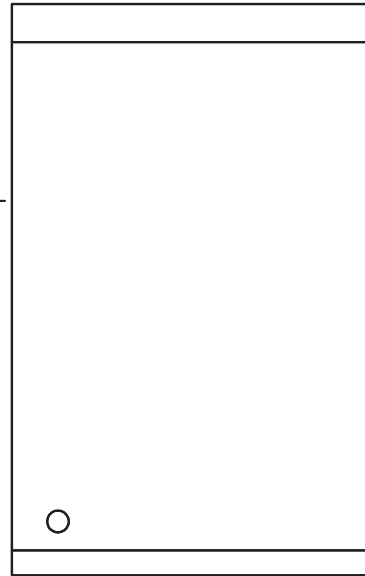
FILE AMEND NOTE	DATE	REV.
ORIGINAL EDITION	2012/10/24	A/0

PACKING DRAW



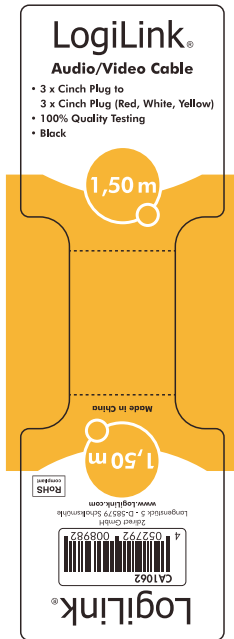
1PCS/BAG

⑥

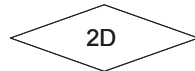


!"# shaped packaging
three packaging tape

STICKER



OUTER CARTON
FRONT MARK:



GERMANY
C/NO.:DW 01,02...
MADE IN CHINA

OUTER CARTON
SIDE MARK:

PO NO.:
ITEM NO.:
QTY: PCS
N.W: KGS
G.W: KGS
Dimension:
EAN CODE:

NOTE:

Electrical test
100% open short & miss wire test;

DRAW No.	NAME	Audio/Vedio cable, 2X3 Cinch male		
CUSTOMER	2direct GmbH	MAPE	TOLERANCE	
CUSTOMER No.	2D irect Gm bh		X. 1.00	X.X 0.50
APPROVE BY	CHECK BY	DRAW BY	SCALE	MM
			PAGE	2/2

No.	PART NAME	DESCRIPTION	QTY	REMARK
-----	-----------	-------------	-----	--------

Pantone 1235C, Black
Size: 48x150 mm R= 2mm
材質: 80P銅版紙, 上亮PP(光膜)