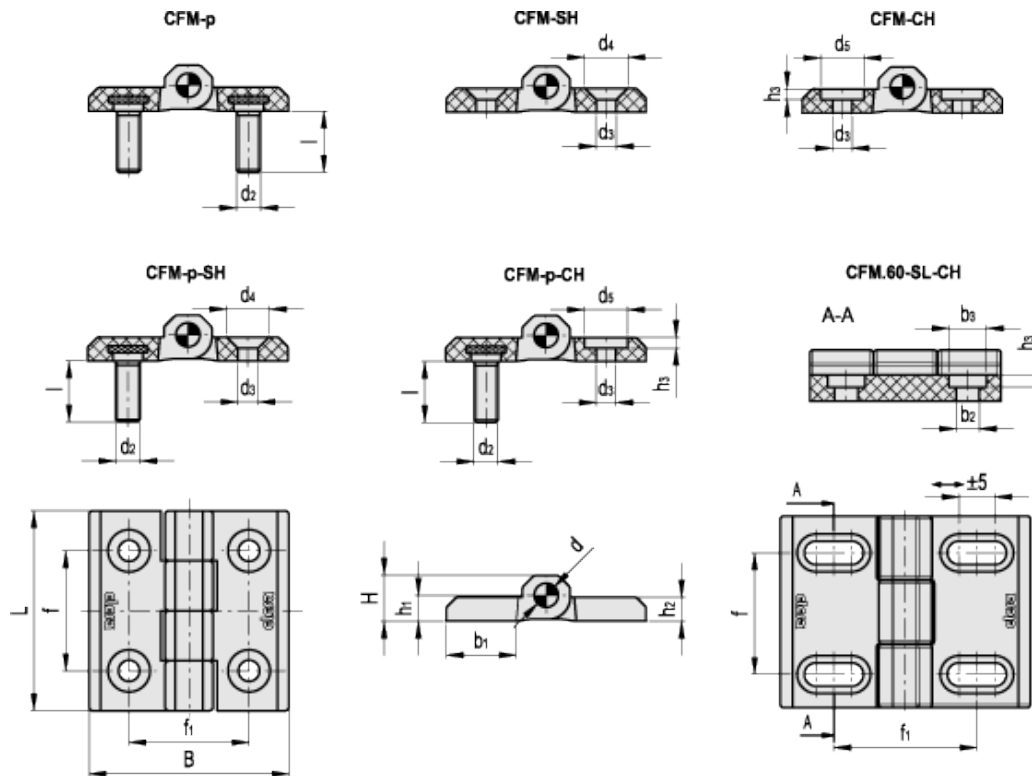


CFM.

Hinges



technical informations

Material

Glass-fibre reinforced polyamide based (PA) SUPER-technopolymer. Resistant to solvents, oils, greases and other chemical agents.

Colour

- CFM: black, matte finish.
- CFM-CLEAN: white similar to RAL 9002, matte finish.

Rotation pin

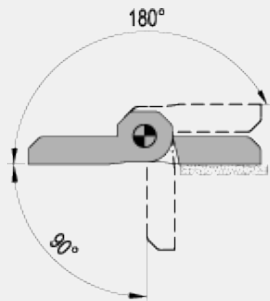
AISI 303 stainless steel.

Standard executions

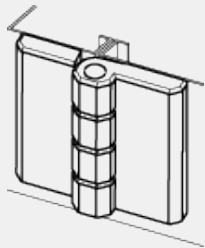
- CFM-p: nickel-plated steel threaded studs.
- CFM-SH: pass-through holes for countersunk head screws.
- CFM-CH: pass-through holes for cylindrical head screws with washer type UNI 6592.
- CFM-p-SH: nickel-plated steel threaded studs and pass-through holes for countersunk head screws.
- CFM-p-CH: nickel-plated steel threaded studs and pass-through holes for cylindrical head screws with UNI 6592 washer.
- CFM.60-SL-CH: pass-through slotted hole for shorted cylindrical head screws UNI 9327 which allow adjustment during clamping.

Rotation angle (approximate value)

Max 270° (-90° and +180° being 0° the condition where the two interconnected surfaces are on the same plane).
Do not exceed the rotation angle limit so as not to prejudice the hinge mechanical performance.



To choose the convenient type and the right number of hinges for your application, see the [Guidelines](#).

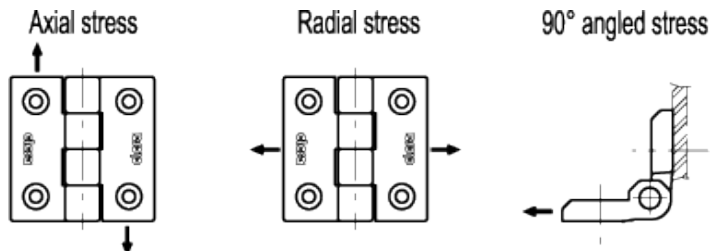


Standard Elements		Main dimensions										Fitting								Weight	
												Studs		Pass-through holes							C [Nm] #
Code	Description	L	B	$f_{\pm 0.25}$	$f_{1 \pm 0.25}$	H	h_1	h_2	b_1	d	d_2	l	d_3	d_4	d_5	h_3	b_2	b_3	p	SH/CH	g
425411	CFM.30 SH-4	30	30	18	18	7	4	3.5	10.5	2.5	-	-	4.5	8.5	-	-	-	-	-	3	11
425412	CFM.30 CH-4	30	30	18	18	7	4	3.5	10.5	2.5	-	-	4.5	-	8.5	1.3	-	-	-	3	11
425521	CFM.40 p-M5x12	40	40	25	25	9	5.5	5	14	4	M5	12	-	-	-	-	-	-	5	-	26
425511	CFM.40 SH-5	40	40	25	25	9	5.5	5	14	4	-	-	5.5	10.5	-	-	-	-	-	3	14
425512	CFM.40 CH-5	40	40	25	25	9	5.5	5	14	4	-	-	5.5	-	10.5	1.7	-	-	-	5	14
425531	CFM.40 p-M5x12-SH-5	40	40	25	25	9	5.5	5	14	4	M5	12	5.5	10.5	-	-	-	-	5	3	20
425532	CFM.40 p-M5x12-CH-5	40	40	25	25	9	5.5	5	14	4	M5	12	5.5	-	10.5	1.7	-	-	5	5	20
425621	CFM.50 p-M6x12	50	50	30	30	11.5	6.5	6	18	6	M6	12	-	-	-	-	-	-	5	-	50
425611	CFM.50 SH-6	50	50	30	30	11.5	6.5	6	18	6	-	-	6.5	12.5	-	-	-	-	-	5	30
425612	CFM.50 CH-6	50	50	30	30	11.5	6.5	6	18	6	-	-	6.5	-	12.5	3	-	-	-	5	30
425631	CFM.50 p-M6x12-SH-6	50	50	30	30	11.5	6.5	6	18	6	M6	12	6.5	12.5	-	-	-	-	5	5	40
425632	CFM.50 p-M6x12-CH-6	50	50	30	30	11.5	6.5	6	18	6	M6	12	6.5	-	12.5	3	-	-	5	5	40
425721	CFM.60 p-M8x14.5	60	60	36	36	15	8.5	8	21	8	M8	14.5	-	-	-	-	-	-	5	-	101
425711	CFM.60 SH-8	60	60	36	36	15	8.5	8	21	8	-	-	8.5	16.5	-	-	-	-	-	5	57
425712	CFM.60 CH-8	60	60	36	36	15	8.5	8	21	8	-	-	8.5	-	16.5	4	-	-	-	5	57
425731	CFM.60 p-M8x14.5-SH-8	60	60	36	36	15	8.5	8	21	8	M8	14.5	8.5	16.5	-	-	-	-	5	5	79
425732	CFM.60 p-M8x14.5-CH-8	60	60	36	36	15	8.5	8	21	8	M8	14.5	8.5	-	16.5	4	-	-	5	5	79
425812	CFM.60-45-SH-6	60	70	34	45	14.5	8	7.5	26	8	-	-	6.5	12.5	-	-	-	-	-	5	62
425822	CFM.60-SL-CH-6	60	70	34	40	14.5	8	7.5	26	8	-	-	-	-	-	4	6.5	10.5	-	4	61

Suggested tightening torque for assembly screws.

Elesa Standards		Main dimensions										Fitting			Weight
Code	Description	L	B	$f_{\pm 0.25}$	$f_{1 \pm 0.25}$	H	h_1	h_2	b_1	d	d_3	d_4	C [Nm] #	g	
425441	CFM.30 SH-4-CLEAN	30	30	18	18	7	4	3.5	10.5	2.5	4.5	8.5	3	11	
425541	CFM.40 SH-5-CLEAN	40	40	25	25	9	5.5	5	14	4	5.5	10.5	3	14	
425641	CFM.50 SH-6-CLEAN	50	50	30	30	11.5	6.5	6	18	6	6.5	12.5	5	30	
425741	CFM.60 SH-8-CLEAN	60	60	36	36	15	8.5	8	21	8	8.5	16.5	5	57	

Suggested tightening torque for assembly screws.



Standard Elements	AXIAL STRESS	RADIAL STRESS	90° ANGLED STRESS
Description	Max static load Sa [N]	Max static load Sr [N]	Max static load S90 [N]
CFM.30 SH-4	1400	1700	1000
CFM.30 CH-4	1300	1700	850
CFM.40 p-M5x12	2000	1900	1000
CFM.40 SH-5	1900	1900	1280
CFM.40 CH-5	1900	1600	1000
CFM.40 p-M5x12-SH-5	1900	1900	1000
CFM.40 p-M5x12-CH-5	1900	1600	1000
CFM.50 p-M6x12	2340	2560	2100
CFM.50 SH-6	2630	2400	1720
CFM.50 CH-6	2860	2410	1360
CFM.50 p-M6x12-SH-6	2340	2400	1720
CFM.50 p-M6x12-CH-6	2340	2410	1360
CFM.60 p-M8x14.5	3000	3940	2130
CFM.60 SH-8	3320	2960	3070
CFM.60 CH-8	3440	2810	2170
CFM.60 p-M8x14.5-SH-8	3000	2960	2130
CFM.60 p-M8x14.5-CH-8	3000	2810	2130
CFM.60-45-SH-6	2920	3010	1310
CFM.60-SL-CH-6	960	1200	1360

The max static load is the value above which the material may break thus prejudicing the hinge functionality. Obviously, a suitable factor, according to the importance and the safety level of the specific application must be applied to this value.



ELESA and GANTER models all rights reserved in accordance with the law. Always mention the source when reproducing our drawings.

STANDARD MACHINE ELEMENTS WORLDWIDE