

CLIFF

1/4" S1V vertical PCB mounting Jack Sockets



S1V/SSB without chassis ground



S1VX/SBB with chassis ground

The **CLIFF**[®] range of S1V Jack Sockets incorporate significant new design features. The compact design offers the highest board packing density available. The design supports auto insertion and snap-in PCB mounting to facilitate assembly and wave soldering. The S1V is available with optional chassis grounding, a choice of either a plastic or metal threaded nose, different fixing nut options and six circuit options.

Significant features include:

- Compact vertical PCB mounting with 24mm stand-off gives high packing density.
- Snap-in PCB mounting to facilitate pre-assembly and wave soldering.
- Optional chassis grounding versions. Grounding chassis to plug and PCB.
- Body design supports auto-insertion.
- Compatible with most similar types.

Cliff Electronic Components, Ltd.

76 Holmethorpe Avenue, Holmethorpe Ind. Est.

Redhill, Surrey RH1 2PF. England

Tel: +44 (0) 1737 771375

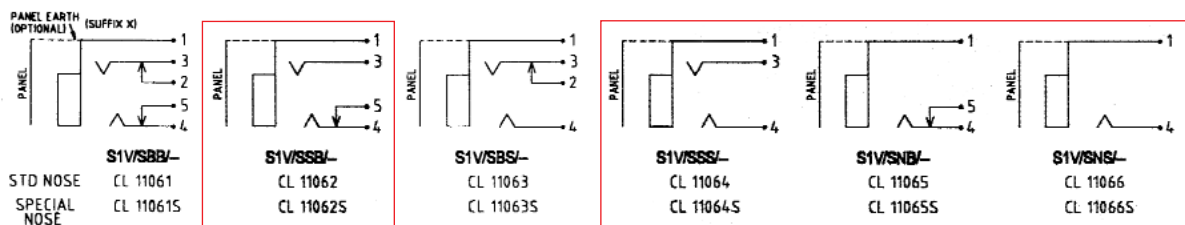
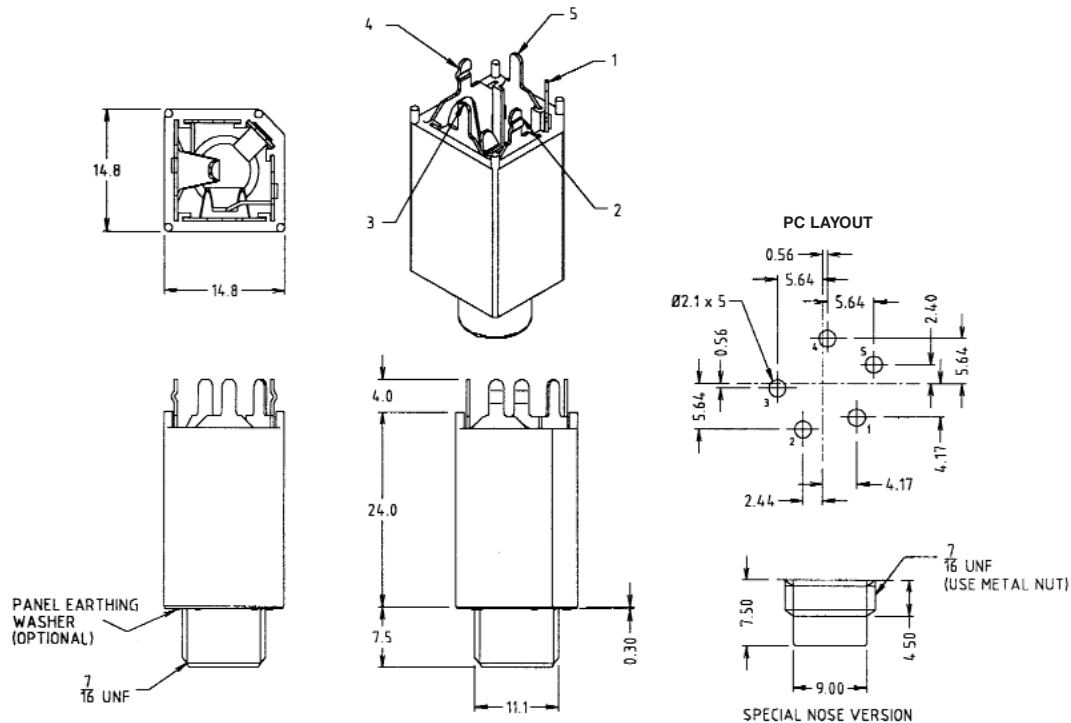
Fax: +44 (0) 1737 766012

Email: sales@cliffuk.co.uk



Visit us online at:

www.cliffuk.co.uk



The versions shown in boxes are available as special order only.

Specification:

Withstand Voltage: 2000V DC Min.
Maximum Current: 5 amp.
Temperature Rating: -10° C to + 70° C
Life (Minimum): 10,000+ Operations.
Nominal Contact Resistance: <50mΩ

Technical Data:

Designed to receive both mono and stereo 1/4" jack plugs, the S1V socket is molded in durable grade 1 black nylon with **CLIFF**® Ni-Ag® Alloy self-cleaning contacts for superior performance and reliability. The S1V can be supplied with either a half threaded nose (specify 'SPN') or fully threaded nose and with a nylon nut (standard) or a nickel plated brass hexagonal or slotted ring nut. Mounting hardware, if required, is supplied unassembled. The S1V can also be supplied with prefitted EMI/RFI screen if required (add suffix 'X' to part no., for example S1VX / SBB). Contact our sales office for details of metal nose versions, and non thread bush version.

X-ON Electronics

Largest Supplier of Electrical and Electronic Components

Click to view similar products for [RF Adapters - Between Series category:](#)

Click to view products by [Cliff manufacturer:](#)

Other Similar products are found below :

[R191203007](#) [R191209000](#) [R191212000](#) [R191215000](#) [R191301000](#) [R191325000](#) [R191389200](#) [R191403000](#) [R191405000](#) [R191416000](#)
[R191419000](#) [R191421000](#) [R191424000](#) [R191445000](#) [R191511000](#) [R191552000](#) [R191720000](#) [R191722000](#) [R191733000](#) [R191759000](#)
[R191841001W](#) [R191911000](#) [R191912000](#) [R192417010](#) [R921390000](#) [ADBJ20-E1-BJ379](#) [ADM2](#) [ADPL75-A1-PL75](#) [ADPL75-E1-UBJ20](#)
[9317505](#) [931RPBUFLP](#) [AD130](#) [ADBJ20-E1-PL74](#) [ADBJ20-E2-BJ79](#) [ADBJ77-A1PL3155](#) [ADBJ77-E1-UPL20](#) [ADBJ77-E2-PL20](#) [242215](#)
[242228](#) [R125680000W](#) [R191117000](#) [R191123000](#) [R191.147.000](#) [R191303000](#) [R191313000](#) [R191315000](#) [R191316700](#) [R191327000](#)
[R191331000](#) [R191333000](#)