

COB TCQ + COB TSFS  
(COB...CMS, alternative)

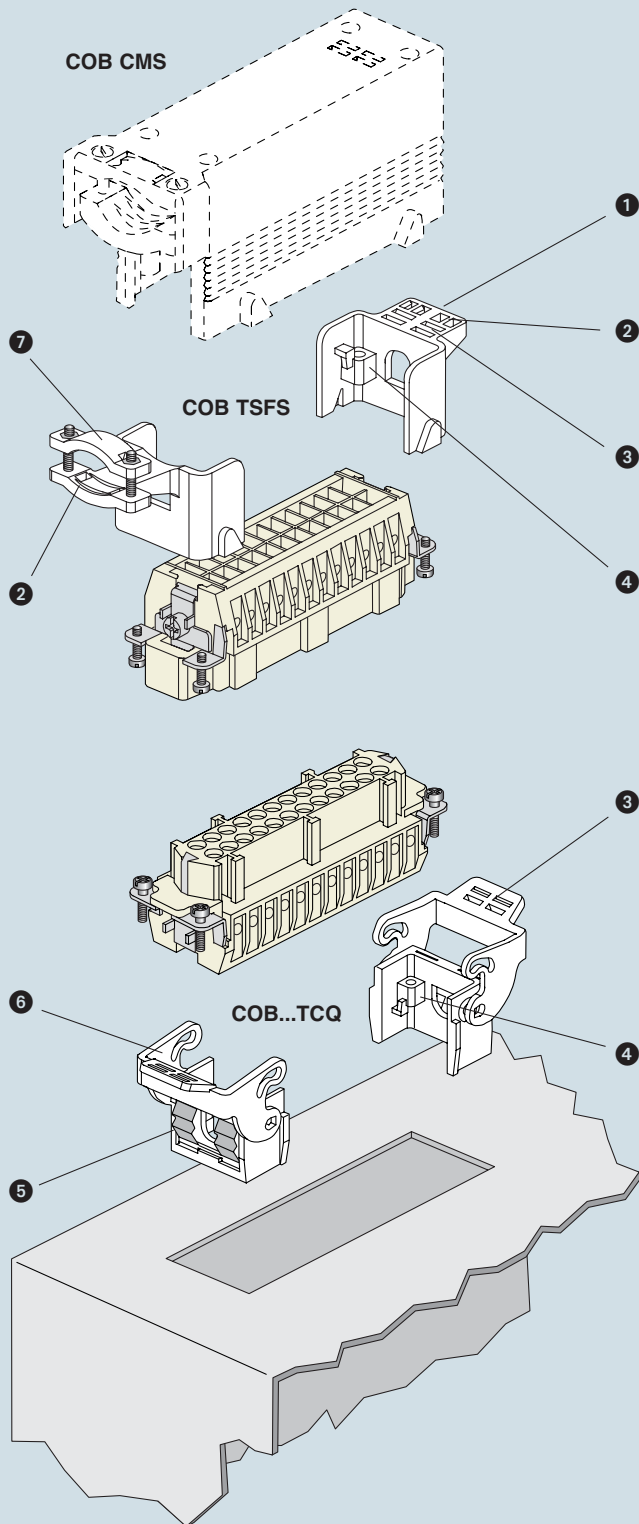


Figure 1:  
- snap fastening in window\*, panels or control panels

Use

The COB system makes it possible to use multipole connectors within electric panels without the traditional metallic housing as protection is assured by the electric panel itself or other container.

**N.B.:** The containers must not be handled live.

The COB system may be assembled in the three following ways:

- on panels with window snap fastening device\* (**Figure 1**)
- on DIN EN 60715 rails, both lengthways and crossways to the support (**Figure 2**)
- on fixed panels using screws (**Figure 2**)

The COB system offers the following advantages:

- reduction in cost and space with respect to metallic enclosures and traditional terminal boards
- possibility of rewiring at the connector bench with connected devices
- easy wiring inspection and tests with coupled connectors, thanks to rear access to the inserts via the turnover device
- fast mounting within the panels thanks to the snap fastening device on the DIN EN 60715 rails
- sturdy support structure, specific to the size of each insert and does not require any preparation
- broad passage for housing of conductor cables
- mobile parts prearranged for the clamping of bundles of conductors of multipolar cables to prevent contact with the connector contacts

The COB system satisfies the most various installation needs thanks to the interchangeability of the connector inserts. The inserts can be installed as per the following table:

supports for connector inserts

bulkhead	COB TCQ			
	COB 06 BC	COB 10 BC	COB 16 BC	COB 24 BC
mobile	COB TSF and COB TSFS			
	COB 06 CMS	COB 10 CMS	COB 16 CMS	COB 24 CMS

insert centre distance

mm	44 x 27	57 x 27	49.5 x 16* 66 x 16* 77.5 x 27	104 x 27

insert series and polarity + ⊕

CD			15*, 25*, 40	64
CDD	24	42	38*, 72	108
CDA			10*, 16*	
CDC			10*, 16*	
CC	6	10	16	24
CCE	6	10	16	24
CQE	10	18	32	46
CN	6	10	16	24
CNE	6	10	16	24
CS	6	10	16	24
CSE	6	10	16	24
CMCE		3 + 2	6 + 2	10 + 2 16 + 2
CME		3 + 2	6 + 2	10 + 2 16 + 2
CMS		3 + 2	6 + 2	10 + 2
CP			6	
CX			4/0, 4/2 6/36 12/2	4/8
MIXO	2 modules	3 modules	4 modules	6 modules

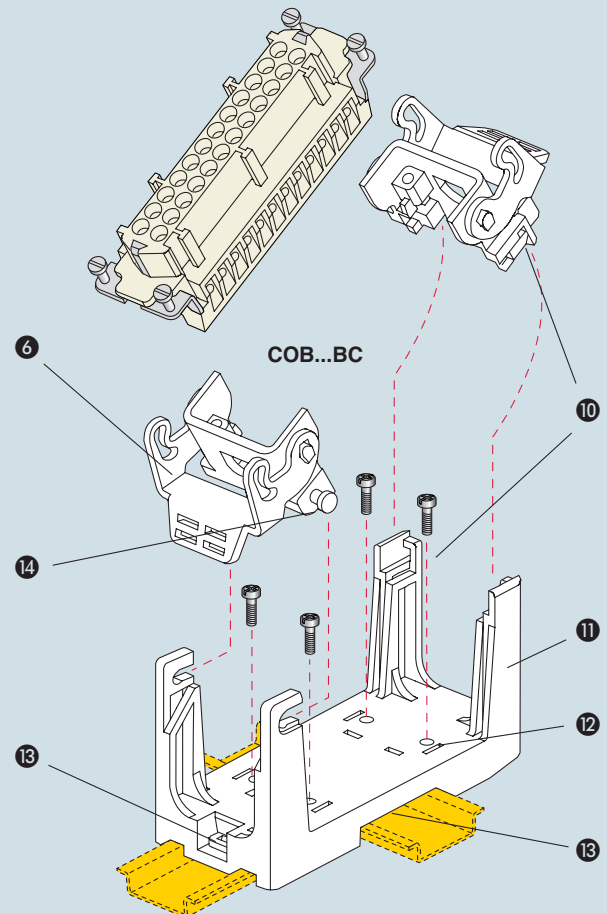
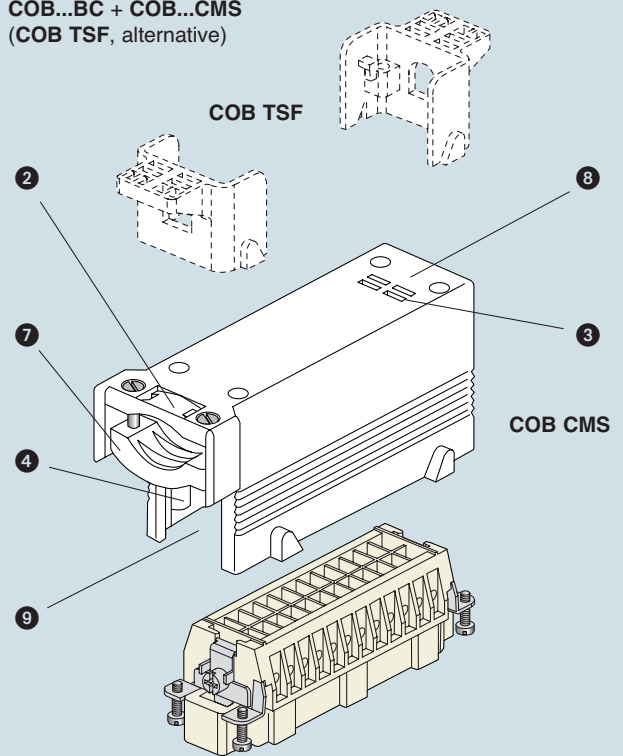
\*) mounting via adaptor plates described on page 260

In addition, the COB..BC supports may house the ILME CR...AD1 and CR...AD2 series plates for the D-SUB inserts (microconnectors).

## Characteristics

- 1 COB, TSF or COB TSFS insert support blocks (with cable clamp) for mobile mounting, in self-extinguishing thermoplastic material.
- 2 passage for cable support bands (from 2.2 to 4.8 mm).
- 3 slots for identification cards (dimensions 9 x 20 mm).
- 4 threaded metallic inserts for fixing the inserts with normal screws and possibility of coded connection with the use of specific coded pins (ILME article: CR 20, CRM, CRF, CR 20 CX, CRM CX and CRF CX) when identical connectors are used.
- 5 COB TCQ insert carrier block for window\* mounting in self-extinguishing thermoplastic material, with spring snap fastening.
- 6 locking device with levers in self-extinguishing thermoplastic material for insert coupling.
- 7 sturdy cable clamp for clamping multipolar cables with a diameter of up to 25 mm or bundles of unipolar conductors.
- 8 COB...CMS housing for mobile mounting, in self-extinguishing thermoplastic material, IP20 degree of protection.
- 9 free passage for mounting of wired insert with conductor cables.
- 10 Mobile blocks (in COB...BC kit) in self-extinguishing thermoplastic material, with quick release device for insert turnover, wiring operations, verifications and maintenance.
- 11 COB...BC panel support for bulkhead mounting in self-extinguishing thermoplastic material, sturdy block support structure, with broad passage for housing of conductor cables.
- 12 holes for fixed fastening with screws without DIN EN 60715 rails.
- 13 snap fastening on DIN EN 60715 rails both lengthways and crossways to the support.
- 14 turnover pins that can be released and allow the use of prewired inserts.

## COB...BC + COB...CMS (COB TSF, alternative)



**Figure 2:**

- snap fastening on DIN EN 60715 rails both lengthways and crossways to the support
- installation in panels or control panels, with fixed fastening with screws

inserts:	page
CD .....40, 64 poles + ⊕	43-45
CDD ..... 24, 42, 72, 108 poles + ⊕	53-58
CQE ..... 10, 18, 32, 46 poles + ⊕	74-77
CN ..... 6, 10, 16, 24 poles + ⊕	80-83
CCE ..... 6, 10, 16, 24 poles + ⊕	86-92
CNE, CSE.. 6, 10, 16, 24 poles + ⊕	87-93
CSS ..... 6, 10, 16, 24 poles + ⊕	98-101
CMSE ..... 3+ <sup>2</sup> , 6+ <sup>2</sup> , 10+ <sup>2</sup> poles + ⊕	114-118
CMCE 3+ <sup>2</sup> , 6+ <sup>2</sup> , 10+ <sup>2</sup> , 16+ <sup>2</sup> poles + ⊕	114-124
CME .. 3+ <sup>2</sup> , 6+ <sup>2</sup> , 10+ <sup>2</sup> , 16+ <sup>2</sup> poles + ⊕	115-124
CP ..... 6 poles + ⊕	127
CX ..... 8/24, 6/36, 12/2 poles + ⊕	129-131
CX ..... 4/0, 4/2, 4/8 poles + ⊕	132-133
MIXO..... 2, 3, 4, 6 modules	137-151

insert centre distance:  
**44 x 27 mm, 57 x 27 mm,**  
**77.5 x 27 mm, 104 x 27 mm**

## connector carrier for faceplate mounting in window\*, snap fastening



## connector carrier baseplate for mounting on DIN EN 60715 rail or fixed mounting using screws

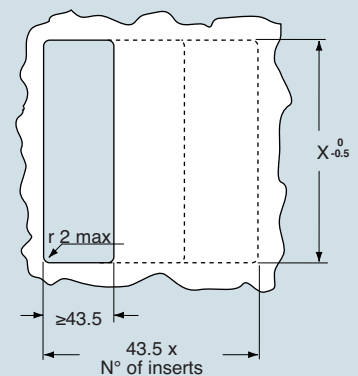


description	part No.	part No.
kit with 2 elements, for coupling of inserts with fastening centre distance (short side = 27 mm)	<b>COB TCQ</b>	
kit comprising frame and mobile blocks, for insert coupling: - with screw fixing centre distance of 44 x 27 mm - with screw fixing centre distance of 57 x 27 mm - with screw fixing centre distance of 77.5 x 27 mm - with screw fixing centre distance of 104 x 27 mm		<b>COB 06 BC</b> <b>COB 10 BC</b> <b>COB 16 BC</b> <b>COB 24 BC</b>

panel cut-out in mm      dimensions in mm      dimensions in mm

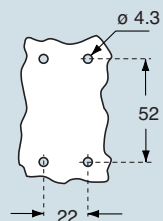
### COB TCQ

window size on plate thickness 1.3-3 mm

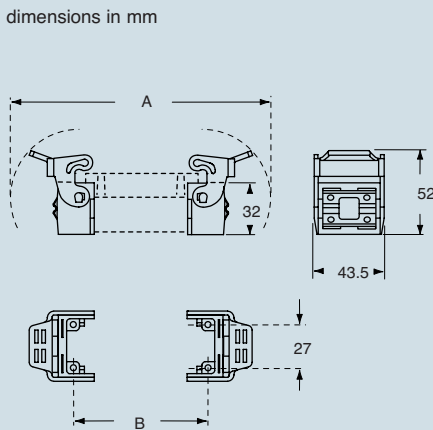


for coupling with inserts type	X°
with centre distance 44 x 27 mm	65
with centre distance 57 x 27 mm	78
with centre distance 77.5 x 27 mm	98
with centre distance 104 x 27 mm	125

### COB...BC

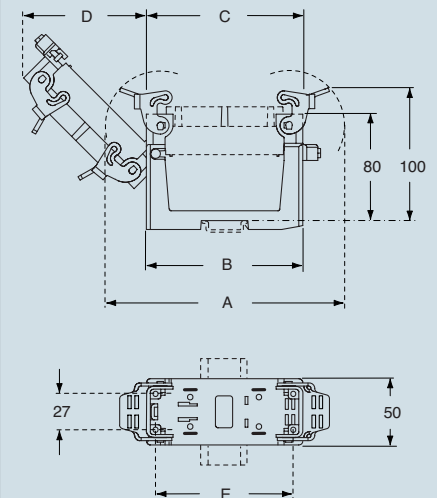


dimensions indicated are not binding and may be changed without notice



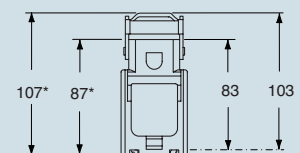
COB TCQ	A	B
for inserts		
with centre distance 44 x 27 mm	120	44
with centre distance 57 x 27 mm	133	57
with centre distance 77.5 x 27 mm	153.5	77.5
with centre distance 104 x 27 mm	180	104

### overall dimensions with transversal DIN rails



part No.	A	B	C	D	E
<b>COB 06 BC</b>	120	91.5	58	50	44
<b>COB 10 BC</b>	133	91.5	71	59.5	57
<b>COB 16 BC</b>	153.5	91.5	91.5	74	77.5
<b>COB 24 BC</b>	180	118	118	93	104

overall dimensions without DIN rails (values with "asterisk")  
 overall dimensions with longitudinal DIN rails



inserts:	page
<b>CD</b> .....40, 64 poles + ⊕	43-45
<b>CDD</b> ..... 24, 42, 72, 108 poles + ⊕	53÷58
<b>CQE</b> ..... 10, 18, 32, 46 poles + ⊕	74÷77
<b>CN</b> ..... 6, 10, 16, 24 poles + ⊕	80÷83
<b>CCE</b> ..... 6, 10, 16, 24 poles + ⊕	86÷92
<b>CNE, CSE</b> .. 6, 10, 16, 24 poles + ⊕	87÷93
<b>CSS</b> ..... 6, 10, 16, 24 poles + ⊕	98÷101
<b>CMSE</b> ..... 3+ <sup>2</sup> , 6+ <sup>2</sup> , 10+ <sup>2</sup> poles + ⊕	114÷118
<b>CMCE</b> 3+ <sup>2</sup> , 6+ <sup>2</sup> , 10+ <sup>2</sup> , 16+ <sup>2</sup> poles + ⊕	114÷124
<b>CME</b> .. 3+ <sup>2</sup> , 6+ <sup>2</sup> , 10+ <sup>2</sup> , 16+ <sup>2</sup> poles + ⊕	115÷124
<b>CP</b> ..... 6 poles + ⊕	127
<b>CX</b> ..... 8/24, 6/36, 12/2 poles + ⊕	129÷131
<b>CX</b> ..... 4/0, 4/2, 4/8 poles + ⊕	132÷133
<b>MIXO</b> ..... 2, 3, 4, 6 modules	137÷151

insert centre distance:  
**44 x 27 mm, 57 x 27 mm,**  
**77.5 x 27 mm, 104 x 27 mm**

## insert carrier blocks for mobile mounting



## insert carrier insulated housings for mobile mounting



description

part No.

part No.

kit with 2 elements, for coupling of inserts  
 with screw fixing centre distance (short side = 27 mm)  
 - with handle for cable support bands  
 - with handle for cable support or cable clamp bands

**COB TSF**  
**COB TSFS**

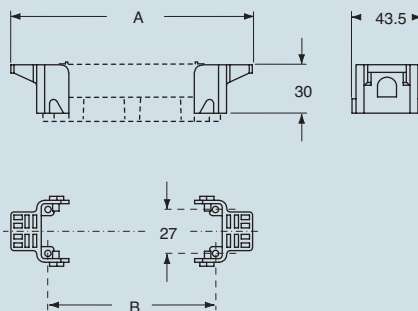
side entry, with cable clamp  
 for insert coupling:

- with screw fixing centre distance of 44 x 27 mm
- with screw fixing centre distance of 57 x 27 mm
- with screw fixing centre distance of 77.5 x 27 mm
- with screw fixing centre distance of 104 x 27 mm

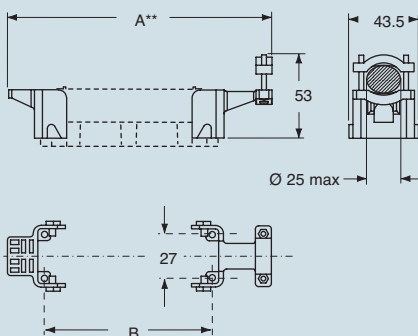
**COB 06 CMS**  
**COB 10 CMS**  
**COB 16 CMS**  
**COB 24 CMS**

dimensioni in mm

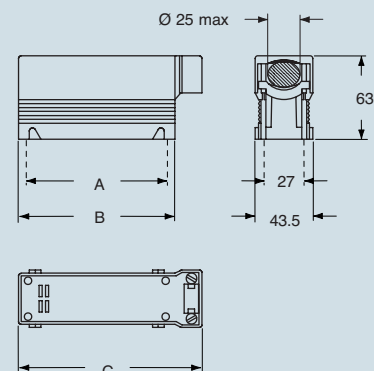
### COB TSF



### COB TSFS



dimensioni in mm



part No.	A	B	C
<b>COB 06 CMS</b>	44	58	74
<b>COB 10 CMS</b>	57	71	87
<b>COB 16 CMS</b>	77.5	91.5	107.5
<b>COB 24 CMS</b>	104	118	134

for inserts	A	A**	B
with centre distance 44 x 27 mm	90	104	44
with centre distance 57 x 27 mm	103	117	57
with centre distance 77.5 x 27 mm	123.5	137.5	77.5
with centre distance 104 x 27 mm	150	164	104

dimensions indicated are not binding  
 and may be changed without notice

inserts:		page
<b>CD</b> .....	15, 25 poles + ⊕	41-42
<b>CDD</b> .....	38 poles + ⊕	54
<b>CDA</b> .....	10, 16 poles + ⊕	66÷68
<b>CDC</b> .....	10, 16 poles + ⊕	67÷69
<b>MIXO</b> .....	1 module	137÷151

insert centre distance:  
**49.5 x 16 mm**  
**66 x 16 mm**

### adaptor plates for insert mounting



### levers for coupling with metallic enclosures



description	part No.	part No.
mounting on COB series articles (see below) for 1 insert with screw fixing centre distance of 49.5 x 16 mm	<b>CR 15/16</b>	
mounting on COB series articles (see below) for 1 insert with screw fixing centre distance of 66 x 16 mm	<b>CR 25/16</b>	
kit with 2 elements, to be mounted instead of the standard levers to be coupled with: COB TCQ and COB...BC <sup>1)</sup>		<b>COB L</b>

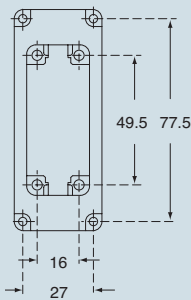
### Adaptor plates

- allow the inserting of inserts of "49.16" and "66.16" on the following COB articles:  
 COB TCQ, COB 16 BC, COB TSF, COB TSFS, COB 16 CMS

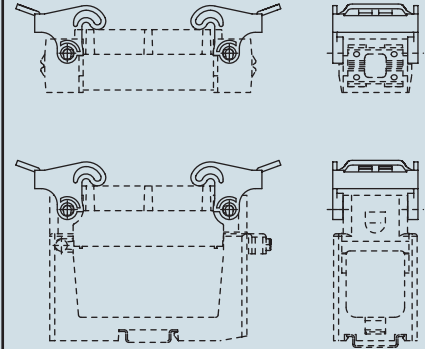
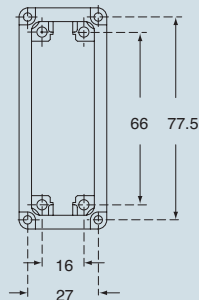
<sup>1)</sup> They allow the mounting of aluminium hoods with 4 pegs, size 55.27, 77.27 and 104.27

dimensions in mm

#### CR 15/16



#### CR 25/16



dimensions indicated are not binding and may be changed without notice



