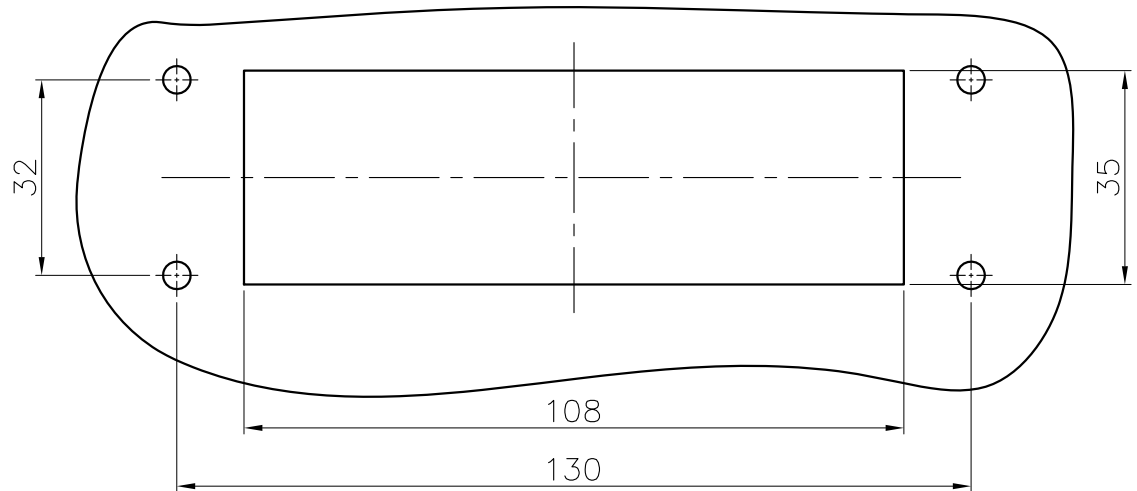
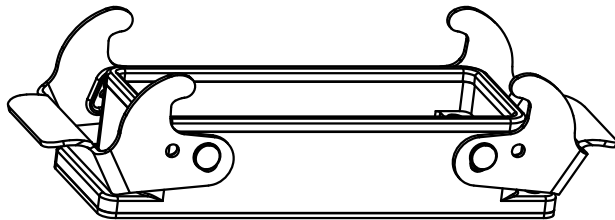
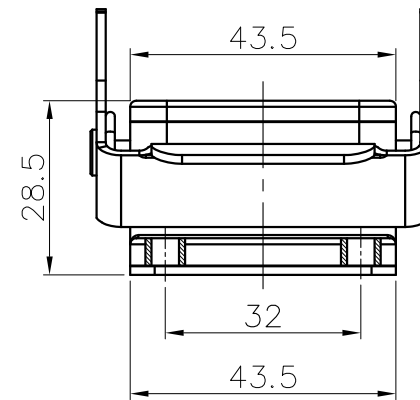
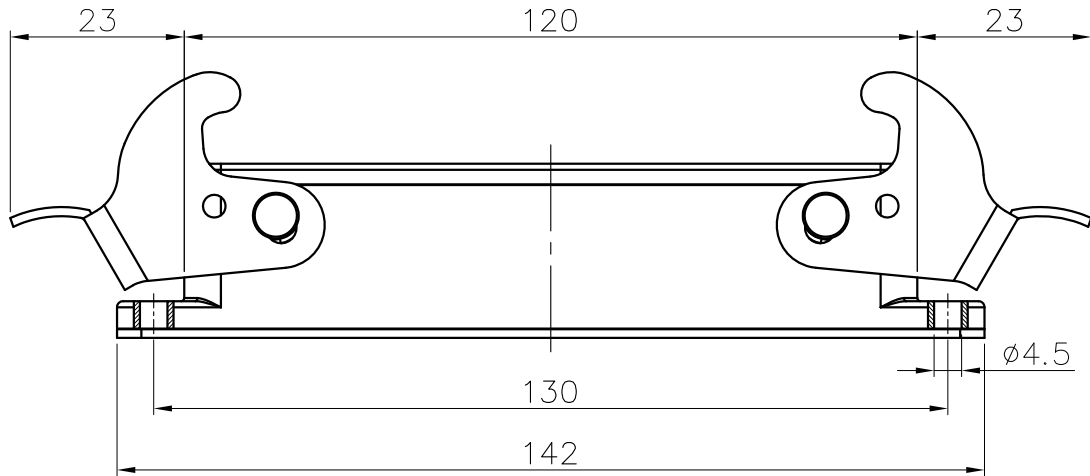


| REVISION RECORD | | | | |
|-----------------|-----|-------------|------|------|
| REV | ECN | DESCRIPTION | DRFT | DATE |
| | | | | |



Panel cut out

Housings Feature

1. Material: Aluminium die-cast
2. Color: grey(RAL 7037)
3. Lever type: Lever
4. Material: Metal zinc-plated
5. Limiting temperatures: $-40^{\circ}\text{C} \sim +125^{\circ}\text{C}$
6. Sealing: NBR
7. Flammability acc to UL94: V0
8. Degree of protection acc.to EN60529 for coupled connector: IP65
9. Rohs Compliance

| | | | | | | | |
|----------------|------------------------|----------------------|--------------|----------------------|---|------------|------|
| DETACHED LISTS | PART NO.: | / | | | 宁波高松电子有限公司 NINGBO DEGSON ELECTRICAL CO., LTD | | |
| | APPD: | NAME: | | | | D24B-BK-2L | |
| | CHKD: | DRFT: WYM 2016/07/29 | | | TITLE: CUSTOMER DRAWING | REV | D0-1 |
| | THIRD ANGLE PROJECTION | | DRAWING NO.: | D24B-BK-2L-E01 | SHEET | 1/1 | |
| | | MM (INCH) | | DO NOT SCALE DRAWING | SCALE | | |