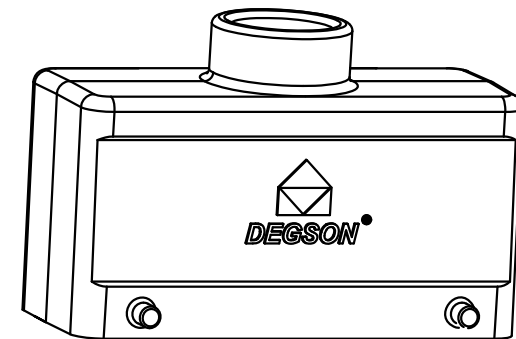
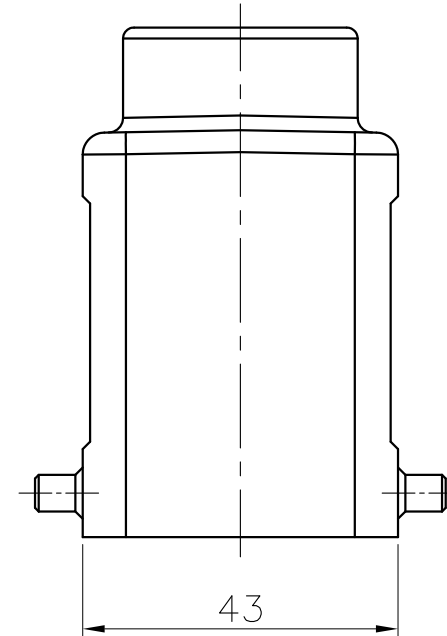
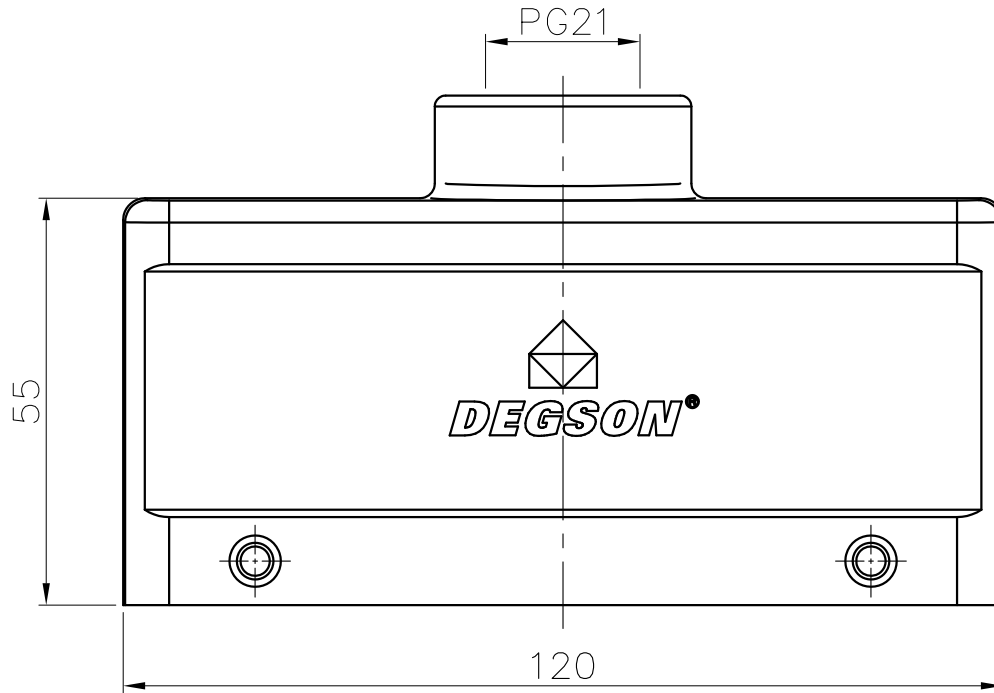

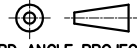


REVISION RECORD				
REV	ECN	DESCRIPTION	DRFT	DATE



Hoods Feature

1. Material: Aluminium die-cast
2. Color: grey(RAL 7037)
3. Limiting temperatures: -40°C ~ +125°C
4. Flammability acc to UL94: V0
5. Degree of protection acc.to EN60529 for coupled connector: IP65
6. Rohs Compliance

DETACHED LISTS	PART NO.:	/			 宁波高松电子有限公司 NINGBO DEGSON ELECTRICAL CO., LTD	
	APPD:					NAME:
	CHKD:				TITLE:	CUSTOMER DRAWING
	DRFT:	WYM	2016/07/29		REV	D0-1
	 THIRD ANGLE PROJECTION		DRAWING NO.:	D24B-TE-4g-PG21-E01	SHEET	1/1
		MM (INCH)	DO NOT SCALE DRAWING	SCALE		