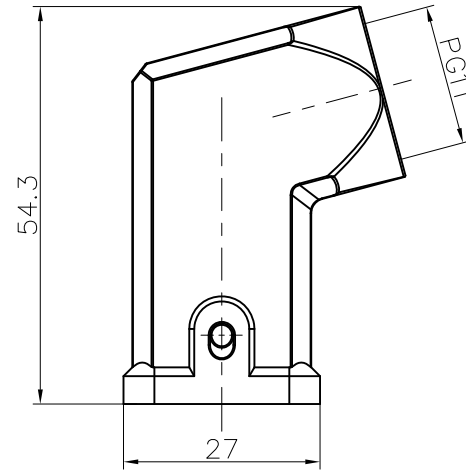
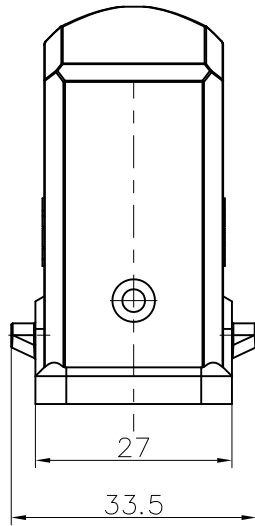
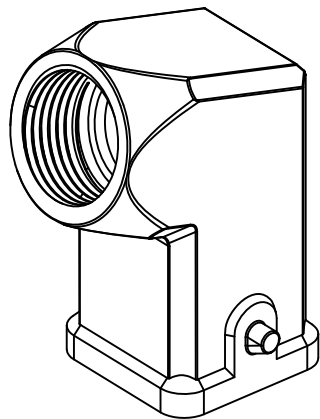


REVISION RECORD				
REV	ECN	DESCRIPTION	DRFT	DATE

H  
G  
F  
E  
D  
C  
B  
A



Hoods Feature:

1. Material: Zinc die-cast
2. Colour: Grey (RAL7037)
3. Limiting temperatures: -40°C ~ +125°C
4. Flammability acc. to UL94: V0
5. Degree of protection acc. to DIN EN 60529 for coupled connector: IP65
6. Rohs Compliance

DETACHED LISTS	PART NO.: /	宁波高松电子有限公司 NINGBO DEGSON ELECTRICAL CO., LTD		
	APPD:	NAME: D3A-SE-2g-PG11		
	CHKD:	TITLE: CUSTOMER DRAWING		
	DRFT: Mr. Yang 2016.08.08	REV	DO	
THIRD ANGLE PROJECTION		DRAWING NO.: /	SHEET	1/1
		MM (INCH)	DO NOT SCALE DRAWING	SCALE

H  
G  
F  
E  
D  
C  
B  
A