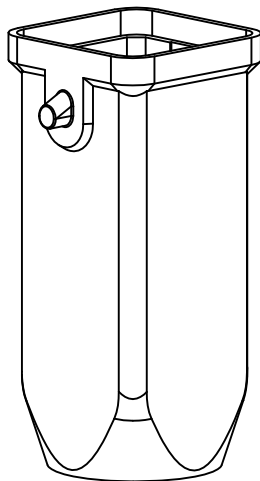
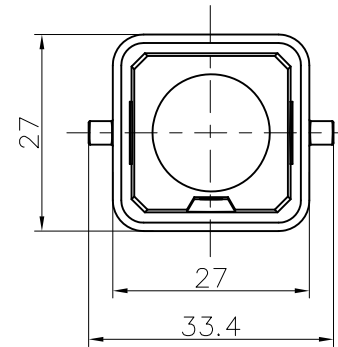
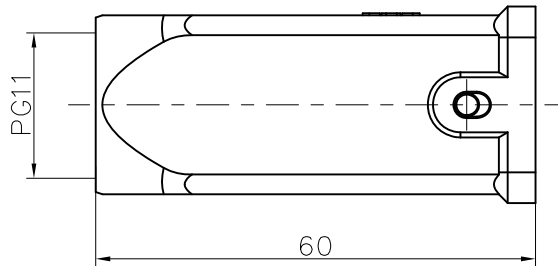

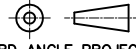


REVISION RECORD				
REV	ECN	DESCRIPTION	DRFT	DATE



Hoods Feature:

1. Material: Zinc die-cast
2. Colour: Grey (RAL7037)
3. Limiting temperatures: -40°C ~ +125°C
4. Flammability acc. to UL94:V0
5. Degree of protection acc. TO
DIN EN 60529 for coupled connector: IP65
6. Rohs Compliance

DETACHED LISTS	PART NO.:	/	 宁波高松电子有限公司 NINGBO DEGSON ELECTRICAL CO., LTD	
	APPD:		NAME: D3A-TE-2g-PG11	
	CHKD:		TITLE: CUSTOMER DRAWING	
	DRFT: Mr. Yang 2016.08.08		REV	DO
 THIRD ANGLE PROJECTION		DRAWING NO.:	/	SHEET 1/1
		MM (INCH)	DO NOT SCALE DRAWING	SCALE