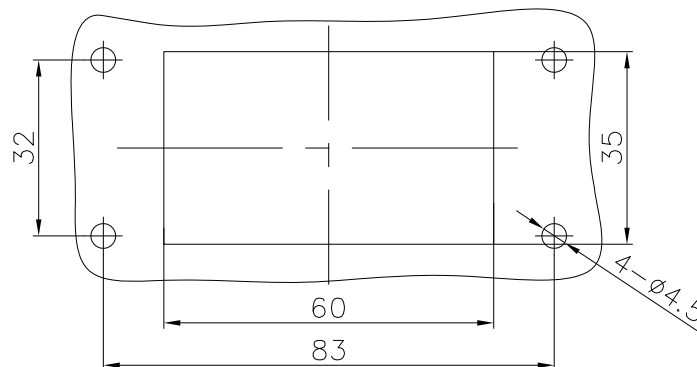
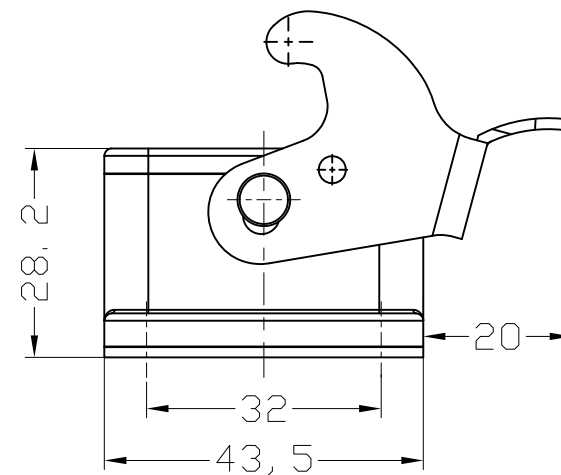
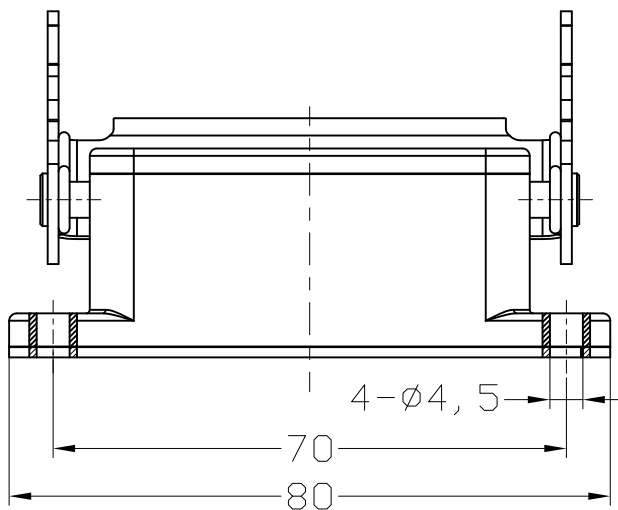
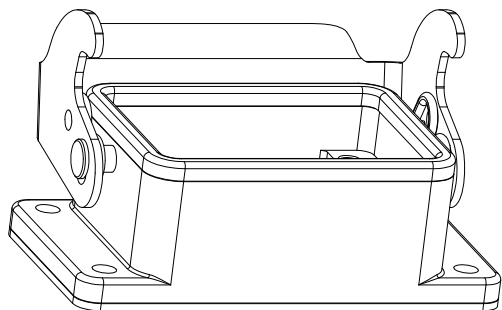


REVISION RECORD				
REV	ECN	DESCRIPTION	DRFT	DATE



Panel cut out

Housings Feature

- 01. Material: Aluminium die-cast
- 02. Colour: Grey (RAL7037)
- 03. Lever type: Lever
- 04. Material: Metal zinc-plated
- 05. Seal: NBR
- 06. Limiting temperatures: -40~+125°C
- 07. Flammability acc to UL94: V0
- 08. Degree of protection acc. to DIN EN 60529 for coupled connector: IP65
- 09. Rohs Compliance

DETACHED LISTS	PART NO.:	/			宁波高松电子有限公司 NINGBO DEGSON ELECTRICAL CO., LTD	
	APPD:	NAME: D6B-BK-1L				
	CHKD:	TITLE: CUSTOMER DRAWING				
	DRFT: yang 2016.08.22	DRAWING NO.: D6B-BK-1L-E01		REV	D0-1	
	THIRD ANGLE PROJECTION	DO NOT SCALE DRAWING	SHEET	1/1		

MM (INCH)	SCALE
-----------	-------