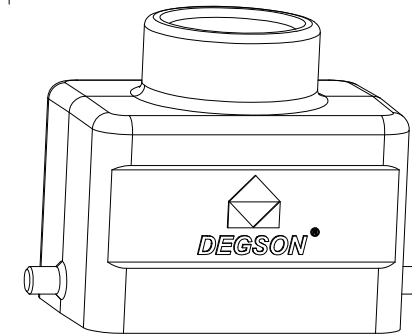
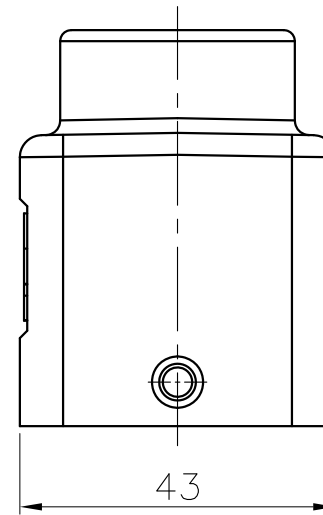
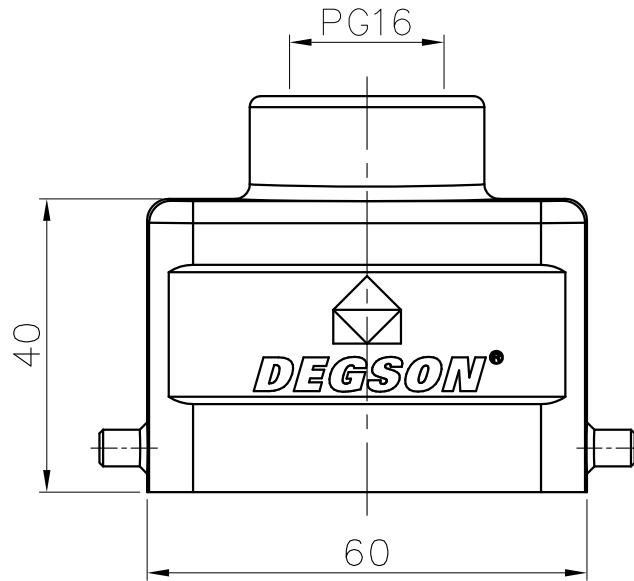

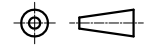


REVISION RECORD				
REV	ECN	DESCRIPTION	DRFT	DATE



Hoods Feature

1. Material: Aluminium die-cast
2. Color: grey(RAL 7037)
3. Limiting temperatures: -40°C ~ +125°C
4. Flammability acc to UL94: V0
5. Degree of protection acc.to EN60529 for coupled connector: IP65
6. Rohs Compliance

DETACHED LISTS	PART NO.:	/			 宁波高松电子有限公司 NINGBO DEGSON ELECTRICAL CO., LTD
	APPD:	NAME:			
	CHKD:	D6B-TE-2g-PG16			
	DRFT: WYM 2016/07/29	TITLE: CUSTOMER DRAWING	REV	D0-1	
 THIRD ANGLE PROJECTION	DRAWING NO.: D6B-TE-2g-PG16-E01	SHEET	1/1		
	MM (INCH)	DO NOT SCALE DRAWING	SCALE		

H
G
F
E
D
C
B
A

H
G
F
E
D
C
B
A