

REVISION RECORD

REV	ECN	DESCRIPTION	DRFT	DATE

Technical characteristics:

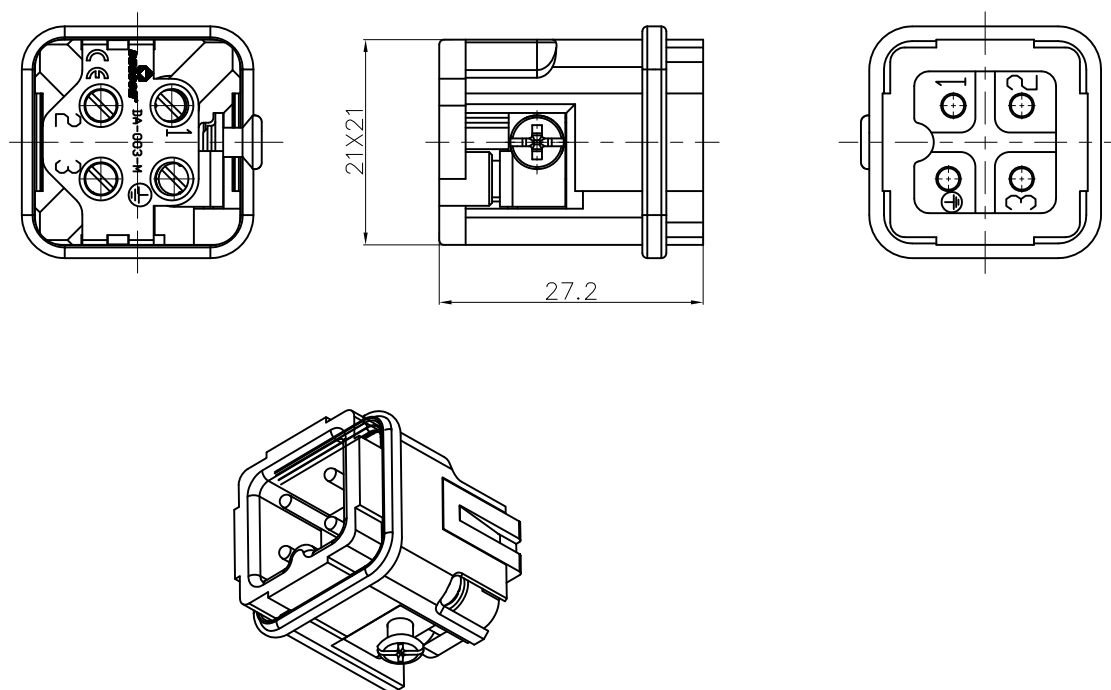
Specifications
 DIN EN 60 664-1
 DIN EN 61 984


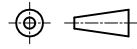
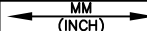
Inserts

- 01.Number of contacts :3+PE
- 02. Rated Current :10A
- 03. Rated Voltage conductor-ground :230V
- 04. Rated Voltage conductor-conductor :400V
- 05. Pollution degree :3
- 06. Rated impulse voltage :4kv¹⁰
- 07. Insulation resistance :≥10¹⁰
- 08. Material:Polycarbonate
- 09. Rated voltage acc.to UL/CSA:600V
- 10. Limiting temperatures : -40℃~+125℃
- 11. Flammability acc.to UL94:V0
- 12. Mechanical working life
 (mating cycles) :≥500

Contacts

- 01. Material:Copper alloy
- 02. Surface:hard-silver plated
- 03. Contact resistance :≤1mΩ
- 04. Terminal :Screw terminal
- 05. Wire gauge :1.0-2.5mm² (AWG 18-14)
- 06. Tightening torque :0.25Nm
- 07. Stripping length :7mm
- 08. Rohs Compliance



DETACHED LISTS	PART NO.:	 宁波高松电子有限公司 NINGBO DEGSON ELECTRICAL CO., LTD		
	APPD:	NAME: DA-003-M		
	CHKD:	TITLE: CUSTOMER DRAWING		
	DRFT: Mr.Yang 2016.07.25	REV	DO	
 THIRD ANGLE PROJECTION	DRAWING NO.:	SHEET 1/1		
	 MM (INCH)	DO NOT SCALE DRAWING	SCALE	